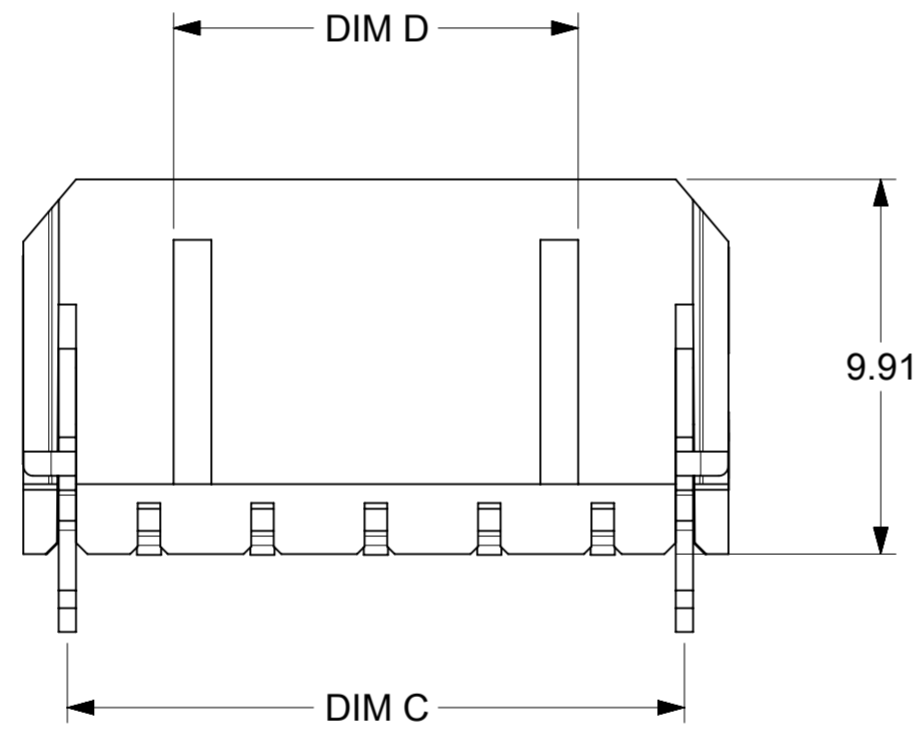
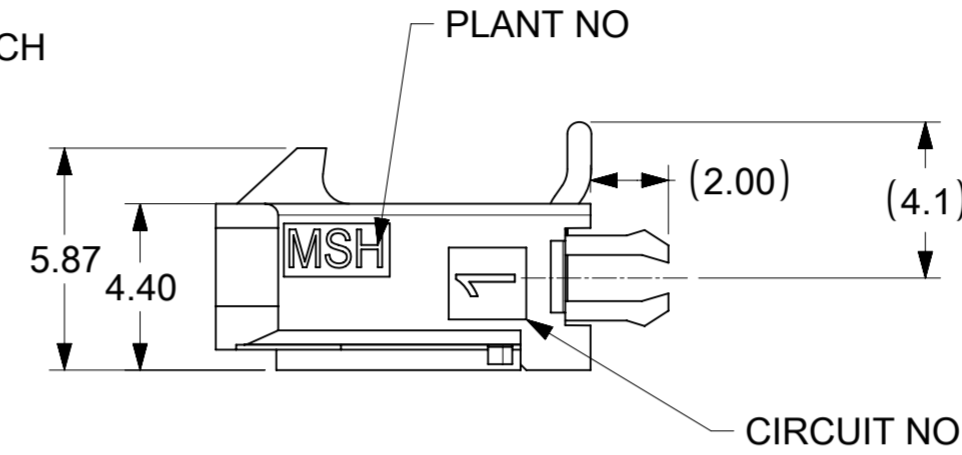
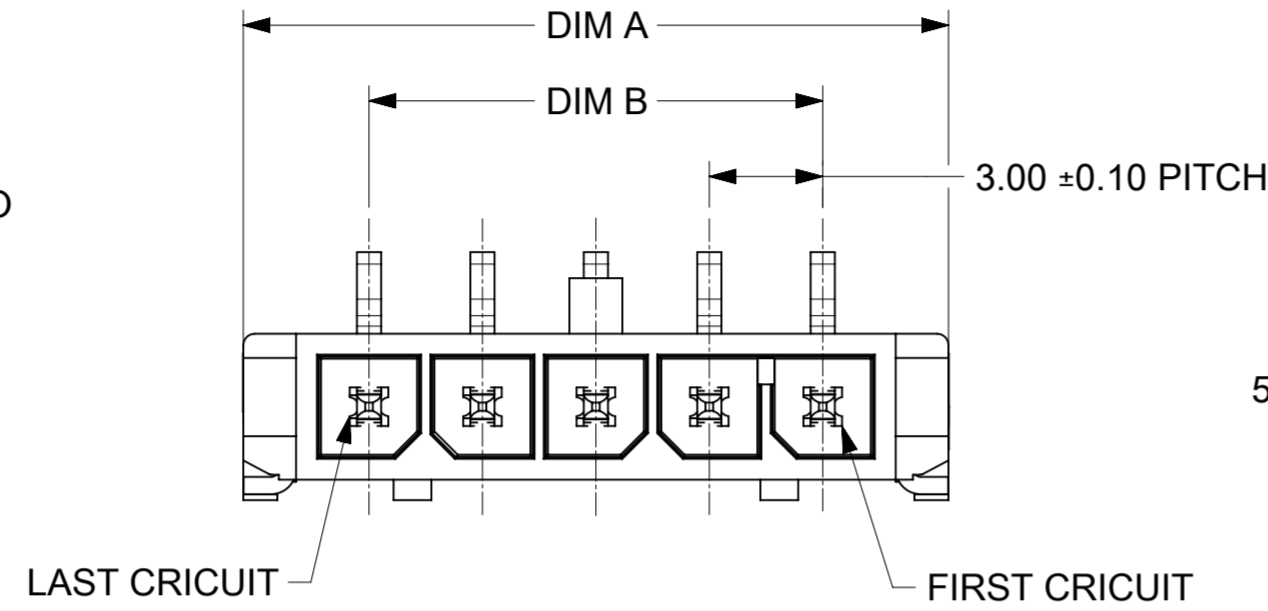
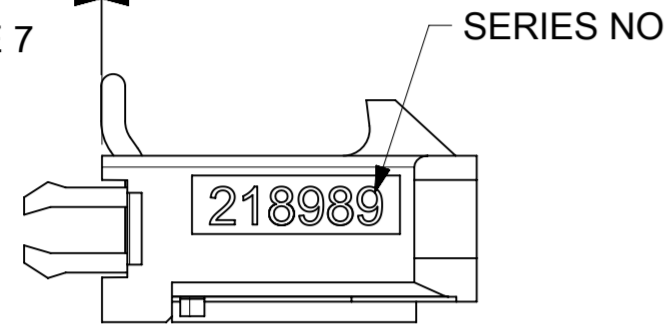


FINISH TYPE	"0" TIN	"1" 15MICROINCH GOLD	"2" 30MICROINCH GOLD				
CKT	HDR ASSY PN	HDR ASSY PN	HDR ASSY PN	A	B	C	D
2	2189890230	2189890231	2189890232	9.65	3.00	7.30	2.95
3	2189890330	2189890331	2189890332	12.65	6.00	10.30	2.95
4	2189890430	2189890431	2189890432	15.65	9.00	13.30	7.70
5	2189890530	2189890531	2189890532	18.65	12.00	16.30	10.70

0~0.15
SEE NOTE 7



LEGEND

218989 - * * * *

SERIES NO. _____

CKT NO. _____

OPTION

0: RIGHT ANGLE WITH NAIL

1: RIGHT ANGLE WITH CLIP

2: VERTICAL WITH NAIL

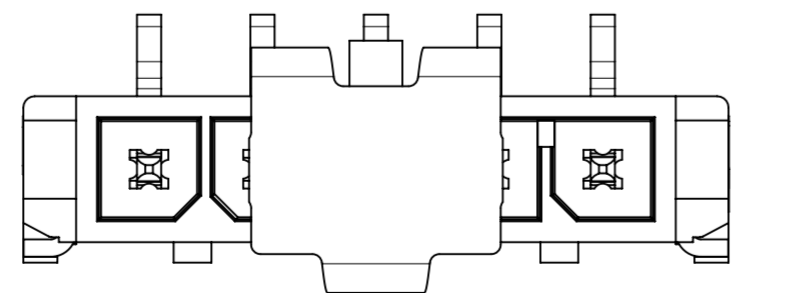
3: VERTICAL WITH CLIP

PLATING OPTION

0: TIN

1: 15MICROINCH AU

2: 30MICROINCH AU

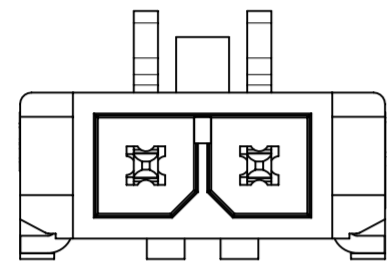


SHOWN WITH DISPOSABLE CAP (43859-000*)
SEE NOTE 5

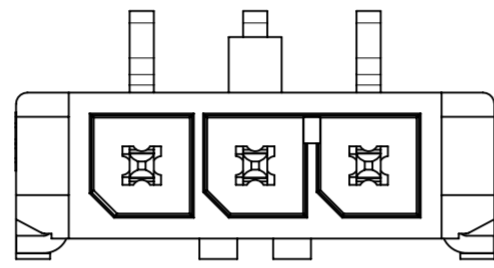
NOTES:

- HOSING MATERIAL: GLASS FILLED LIQUID CRYSTAL POLYMER, UL 94V-0, COLOR: BLACK
TERMINAL MATERIAL: HIGH COPPER ALLOY
- FINISH:
OPTION "0": REFLOW MATTE TIN OVER NICKEL
OPTION "1": SELECT 15MICROINCH GOLD AND SELECT MATTE TIN OVER NICKEL.
OPTION "2": SELECT 30MICROINCH GOLD AND SELECT MATTE TIN OVER NICKEL.
- PRODUCT SPECIFICATION : 2064600000-PS
- PRODUCT TEST SUMMARY: 2064600000-TS
- T&R PACK : 2189890001-PK
- MATE WITH RECEPTACLE 215759
- THE COPLANARITY DIMENSION IS ESTABLISHED BY PLACING THE ASSEMBLY ON A FLAT SURFACE. THE DISTANCE FROM THAT SURFACE TO THE BOTTOM OF ANY TERMINAL OR NAIL MUST NOT EXCEED 0.15
- THIS PART CONFORMS TO CLASS 'B' REQUIREMENTS OF COSMETIC SPECIFICATION PS-45499-002.

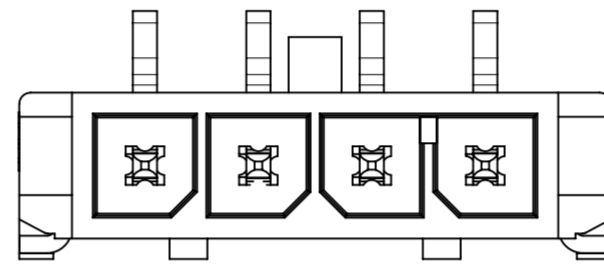
THIS DRAWING CONTAINS INFORMATION THAT IS PROPRIETARY TO MOLEX ELECTRONIC TECHNOLOGIES, LLC AND SHOULD NOT BE USED WITHOUT WRITTEN PERMISSION									
DIMENSION UNITS	SCALE	CURRENT REV DESC:			molex				
mm	NTS								
GENERAL TOLERANCES (UNLESS SPECIFIED)					MICRO-FIT + SINGLE ROW VERTICAL SMT HEADER WITH PRESS CLIP				
ANGULAR TOL	± 3.0°	EC NO: 724761							
4 PLACES	±	DRWN: ZIXUAQ 2022/09/08			PRODUCT CUSTOMER DRAWING				
3 PLACES	±	CHK'D: XQZHANG 2022/10/17							
2 PLACES	± 0.25	APPR: XQZHANG 2022/10/17			DOCUMENT NUMBER: 2189890030-SD				
1 PLACE	± 0.36	INITIAL REVISION:							
0 PLACES	±	DRWN: ZIXUAQ 2022/09/08			MATERIAL NUMBER: SEE TABLE				
DRAFT WHERE APPLICABLE MUST REMAIN WITHIN DIMENSIONS		THIRD ANGLE PROJECTION		DRAWING: A2-SIZE					



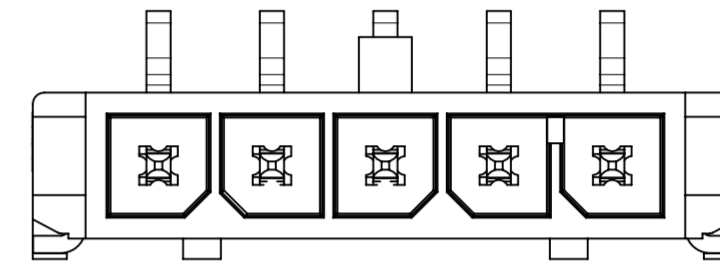
2CKT



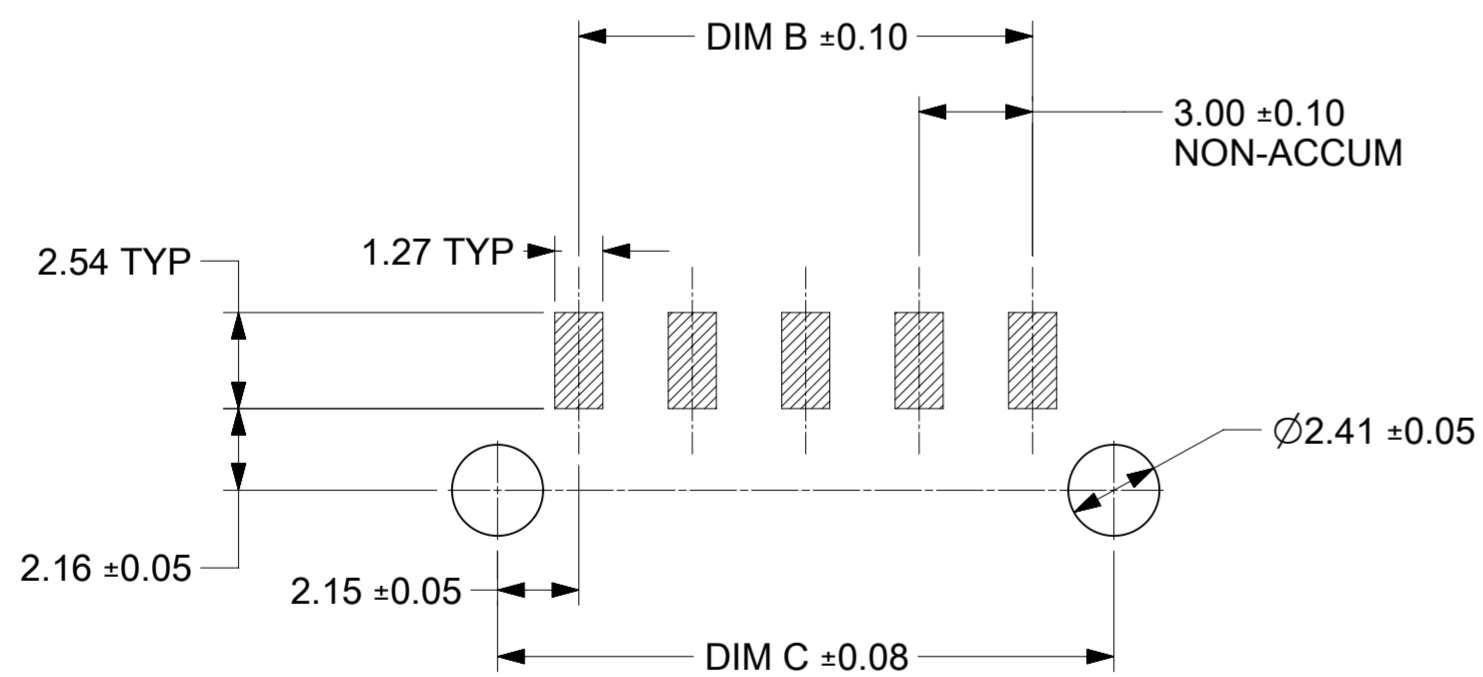
3CKT



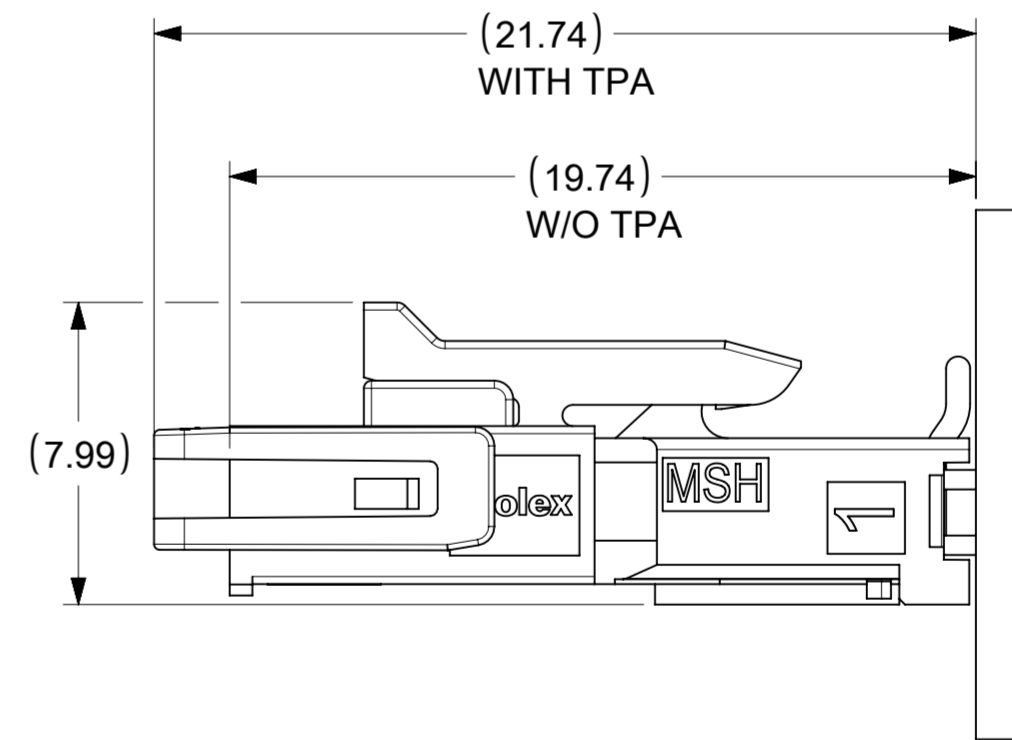
4CKT



5CKT



PCB LAYOUT: COMPONENT SIDE
RECOMMENDED THICKNESS :1.60 ±0.05MM



THIS DRAWING CONTAINS INFORMATION THAT IS PROPRIETARY TO MOLEX ELECTRONIC TECHNOLOGIES, LLC AND SHOULD NOT BE USED WITHOUT WRITTEN PERMISSION									
DIMENSION UNITS		SCALE		CURRENT REV DESC:					
mm		NTS							
GENERAL TOLERANCES (UNLESS SPECIFIED)				EC NO: 724761				2189890030-SD	
ANGULAR TOL ± 3.0°				DRWN: ZIXUAQ 2022/09/08					
4 PLACES ±				CHK'D: XQZHANG 2022/10/17				PRODUCT CUSTOMER DRAWING	
3 PLACES ±				APPR: XQZHANG 2022/10/17					
2 PLACES ± 0.25				INITIAL REVISION:				DOCUMENT NUMBER 2189890030-SD	
1 PLACE ± 0.36				DRWN: ZIXUAQ 2022/09/08					
0 PLACES ±				APPR: XQZHANG 2022/10/17				DOC TYPE PSD	
DRAFT WHERE APPLICABLE MUST REMAIN WITHIN DIMENSIONS				THIRD ANGLE PROJECTION		DRAWING			
A2-SIZE		SERIES		MATERIAL NUMBER		CUSTOMER		REVISION	
A2-SIZE		218989		SEE TABLE		GENERAL MARKET		A	

DOCUMENT STATUS	P1	RELEASE DATE	2022/10/17	06:34:13
-----------------	----	--------------	------------	----------