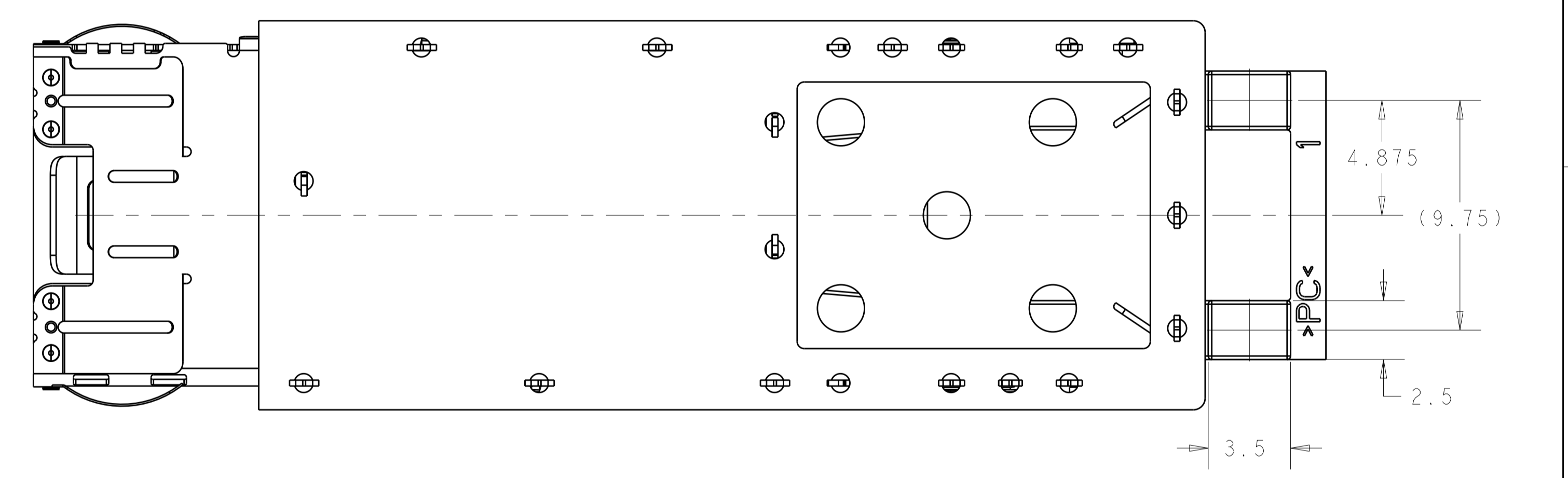
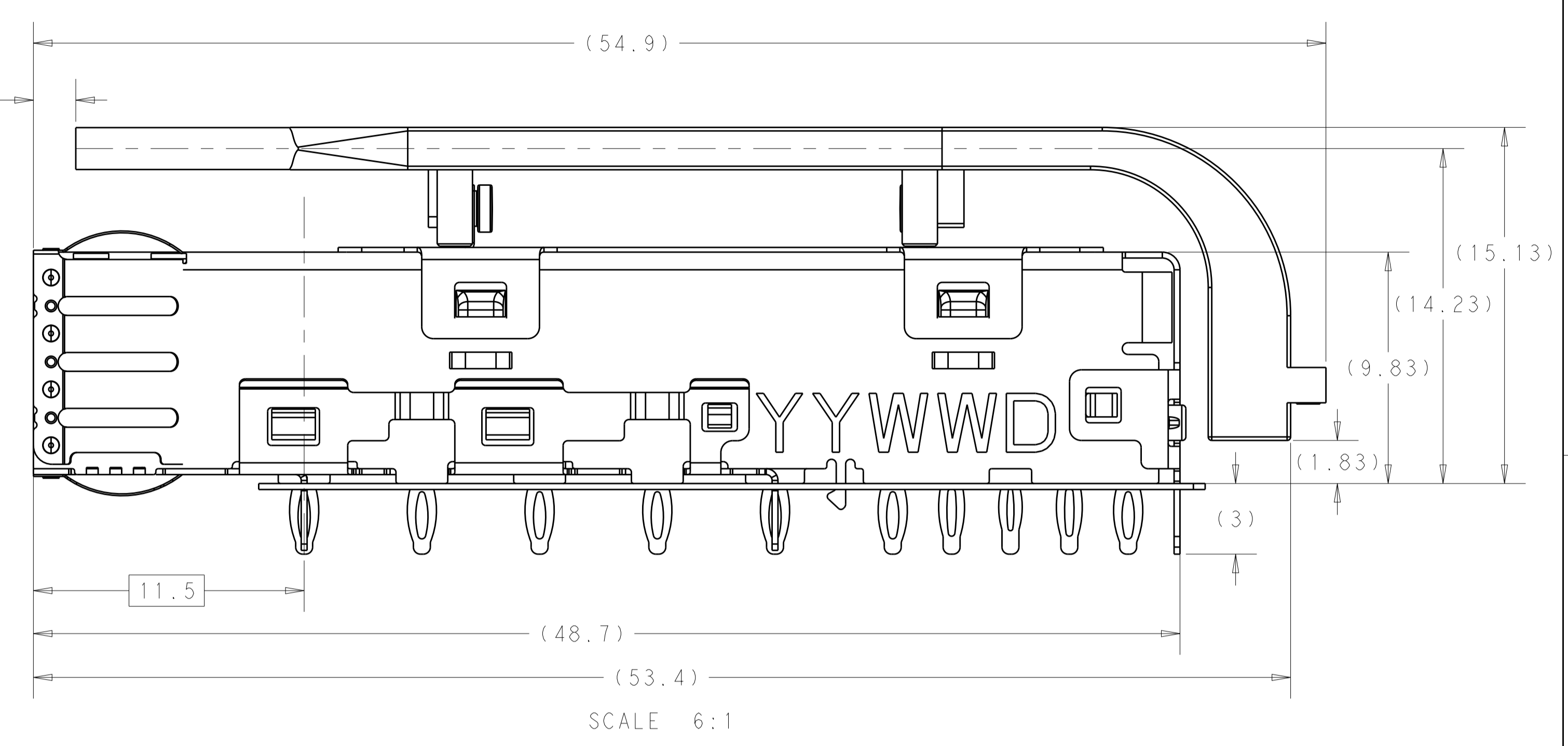
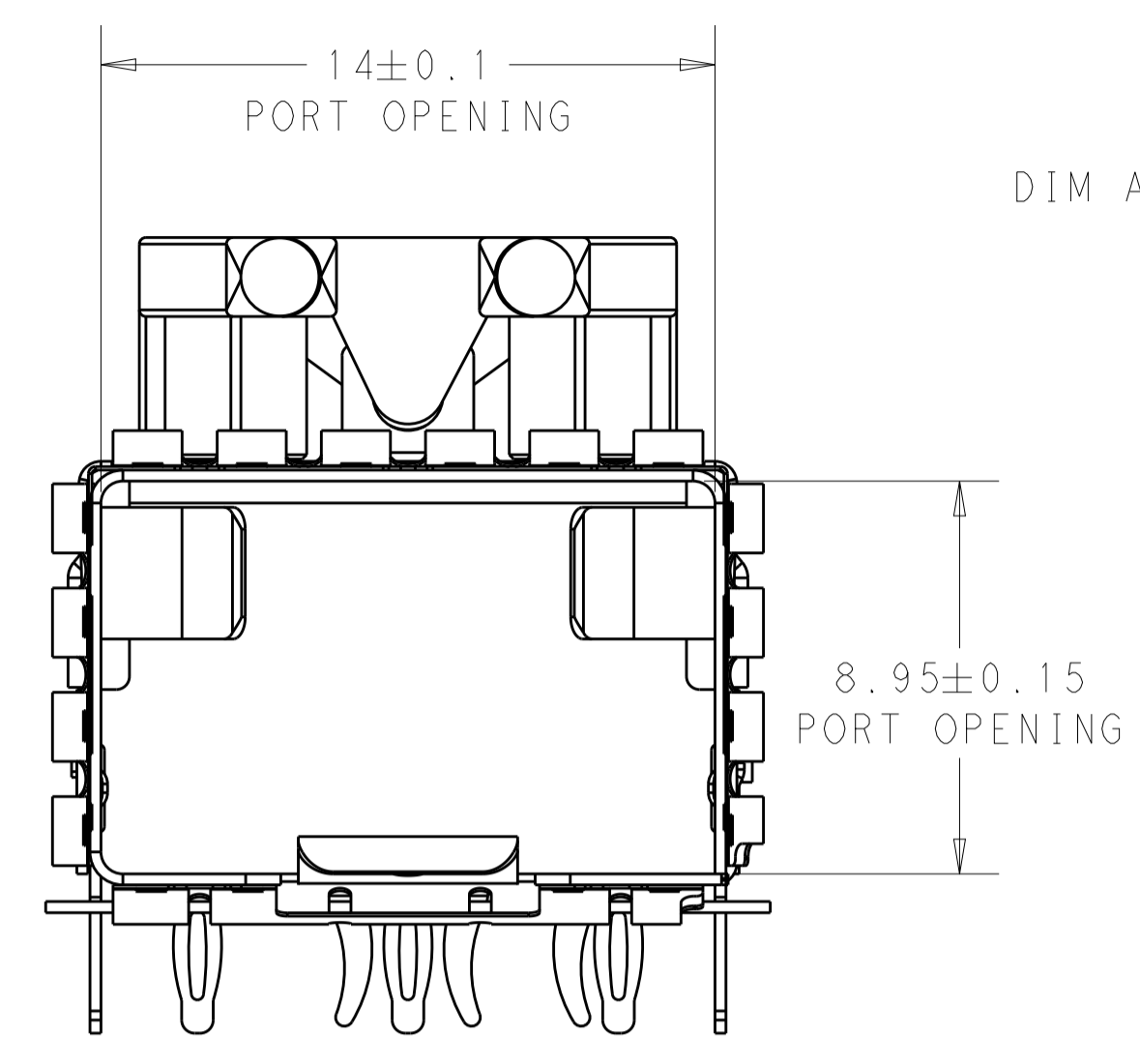
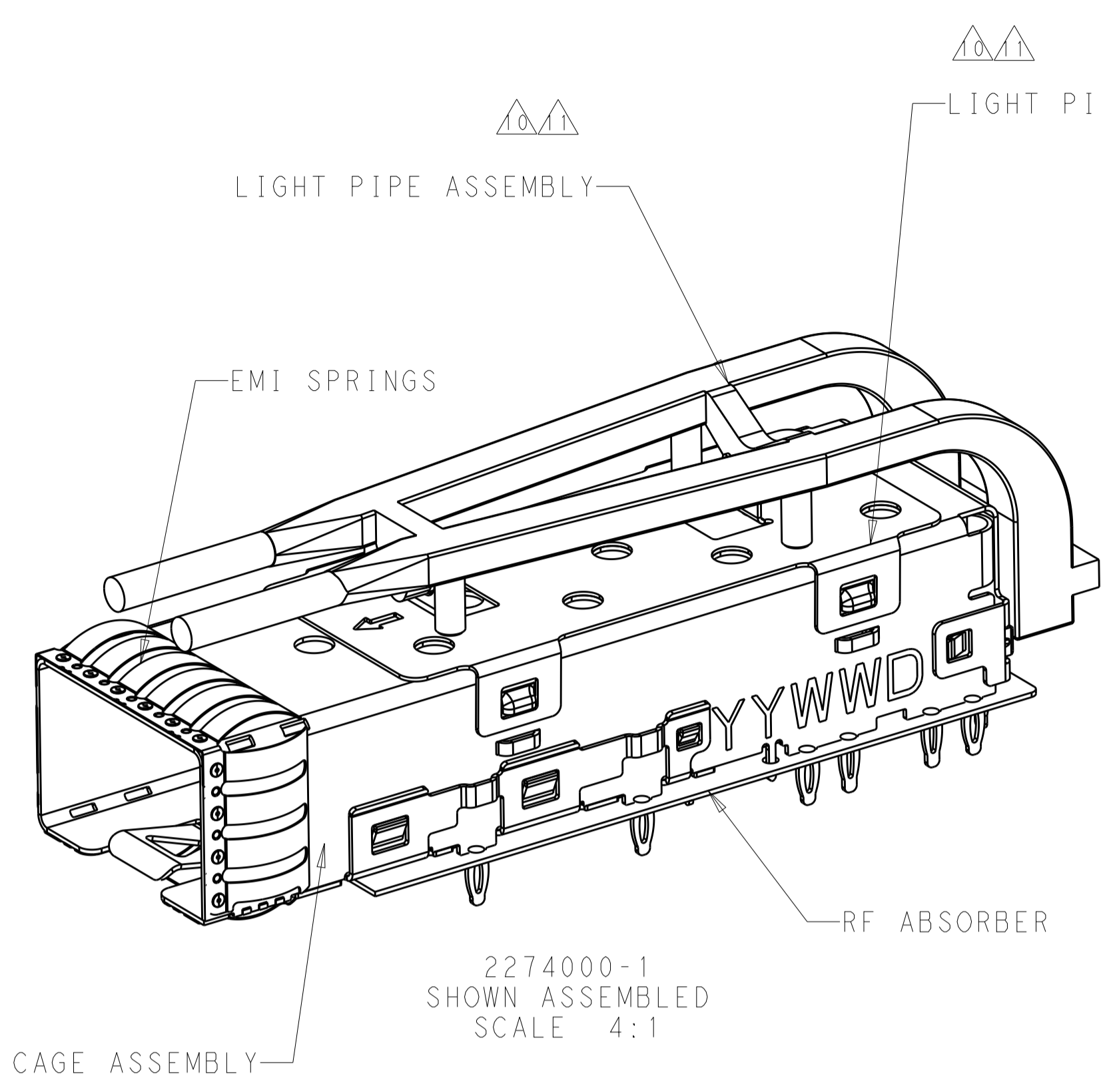
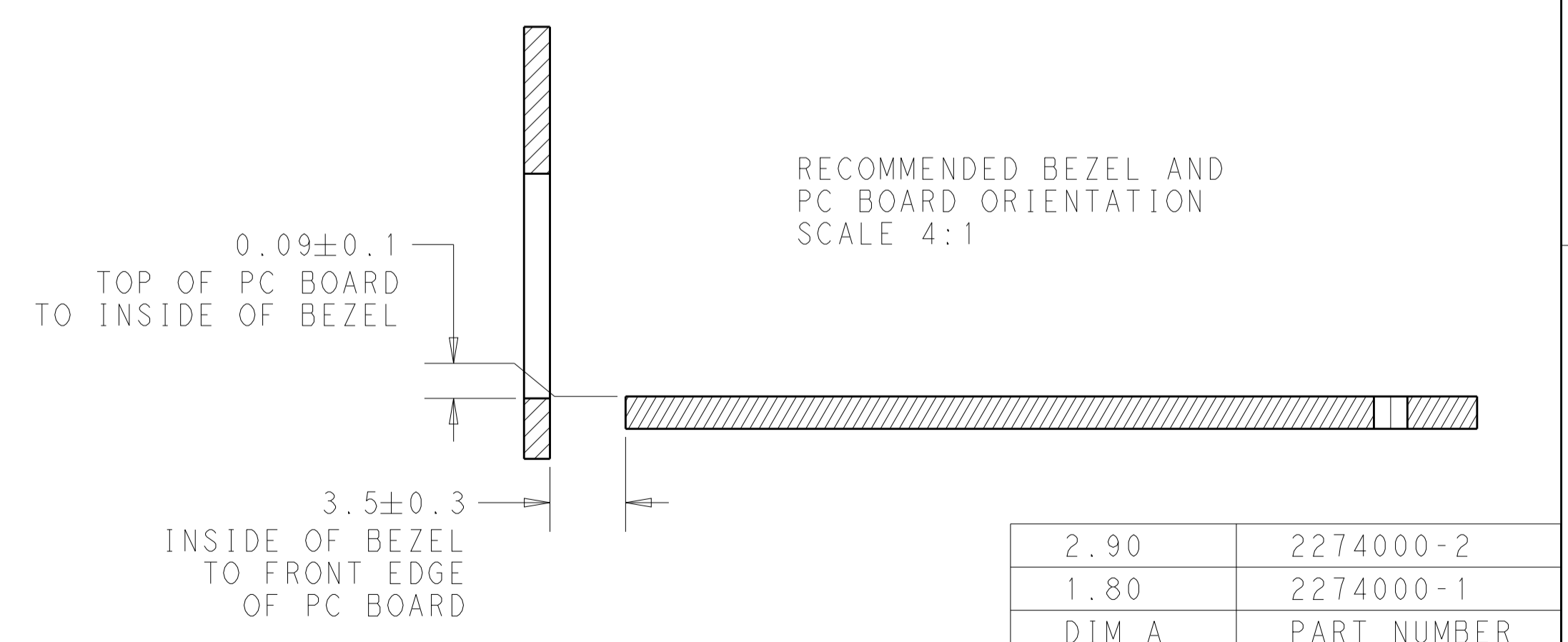
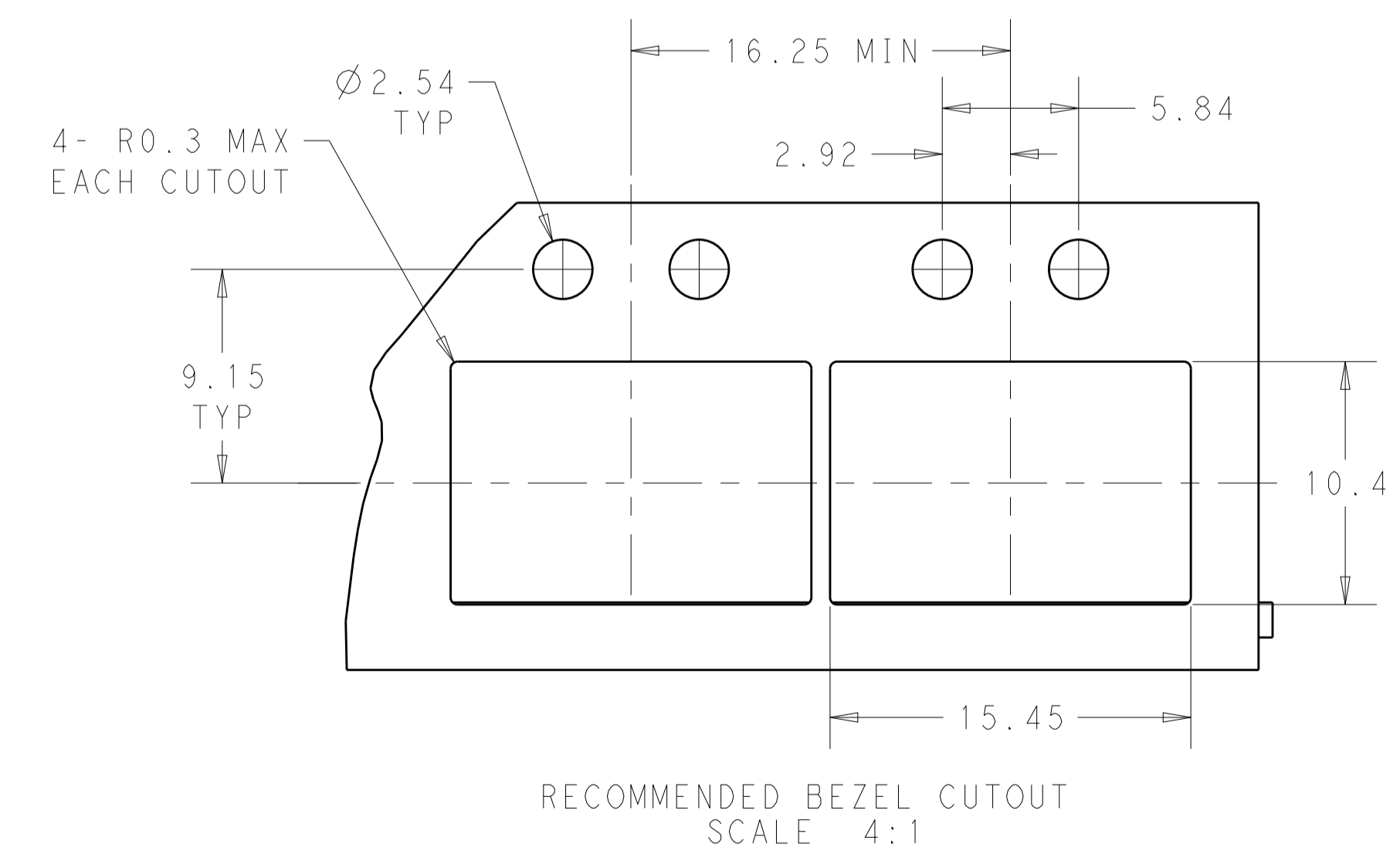


LOC	DIST	REVISIONS			
P	LTN	DESCRIPTION	DATE	DMN	APVD
GP	00	A	INITIAL RELEASE	28SEP2016	LL SH



- 1 MATERIAL:
 CAGE ASSEMBLY - 0.25mm THICK NICKEL SILVER ALLOY.
 EMI SPRINGS - COPPER ALLOY.
 PCB GASKET - RF ABSORBER.
 LIGHT PIPE - POLYCARBONATE, CLEAR.
 LIGHT PIPE BRACKET - STAINLESS STEEL.
- 2 FINISH
 EMI SPRINGS - 0.8um MIN NICKEL, NON-PLATED EDGES PERMISSIBLE.
- 3. MATES WITH SFP MSA COMPLIANT TRANSCEIVERS.
- 4 PADS AND VIAS CHASSIS GROUND.
- 5 DATUM AND BASIC DIMENSION ESTABLISHED BY CUSTOMER.
- 6 REFERENCE APPLICATION SPEC. 114-13120, HOLE A, FOR RECOMMENDED DRILL HOLE DIAMETER AND PLATING THICKNESS.
- 7 REFERENCE APPLICATION SPEC. 114-13120, HOLE B, FOR RECOMMENDED DRILL HOLE DIAMETER AND PLATING THICKNESS.
- 8 REFERENCE APPLICATION SPEC. 114-13120, HOLE C, FOR RECOMMENDED DRILL HOLE DIAMETER AND PLATING THICKNESS.
- 9. MINIMUM PC BOARD THICKNESS:
 SINGLE SIDED = 1.50mm
- 10 LIGHT PIPE ASSEMBLY SHIPPED UNASSEMBLED TO CAGE ASSEMBLY. CAGE ASSEMBLY TO BE PRESSED INTO PCB PRIOR TO ATTACHING THE LIGHT PIPE ASSEMBLY TO THE CAGE.
- 11 LIGHT PIPE AND LIGHT PIPE BRACKET SHIPPED ASSEMBLED.
- 12. CONTACT STANDOFF WILL PIERCE GASKET WHEN PROPERLY PRESSED INTO PCB.



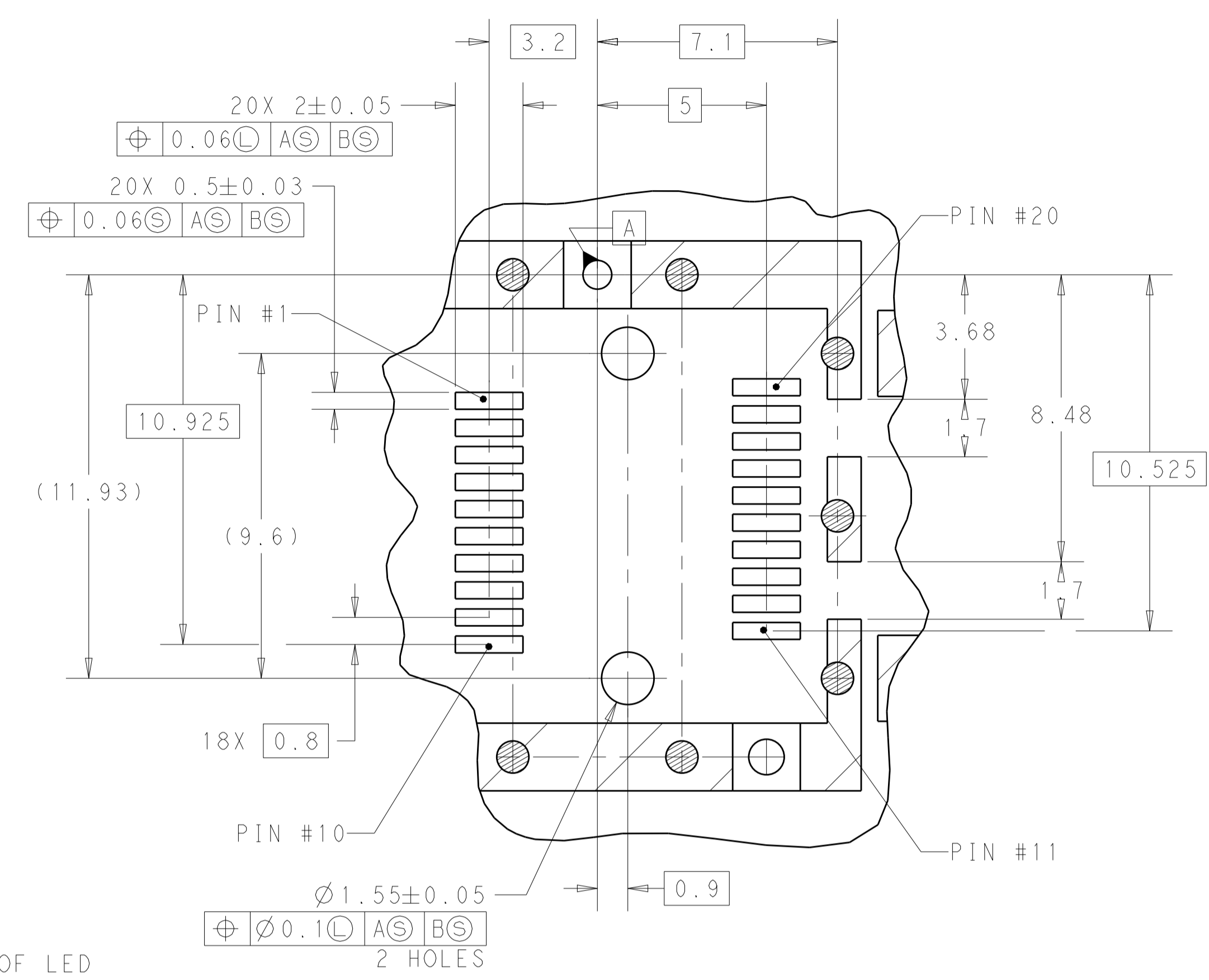
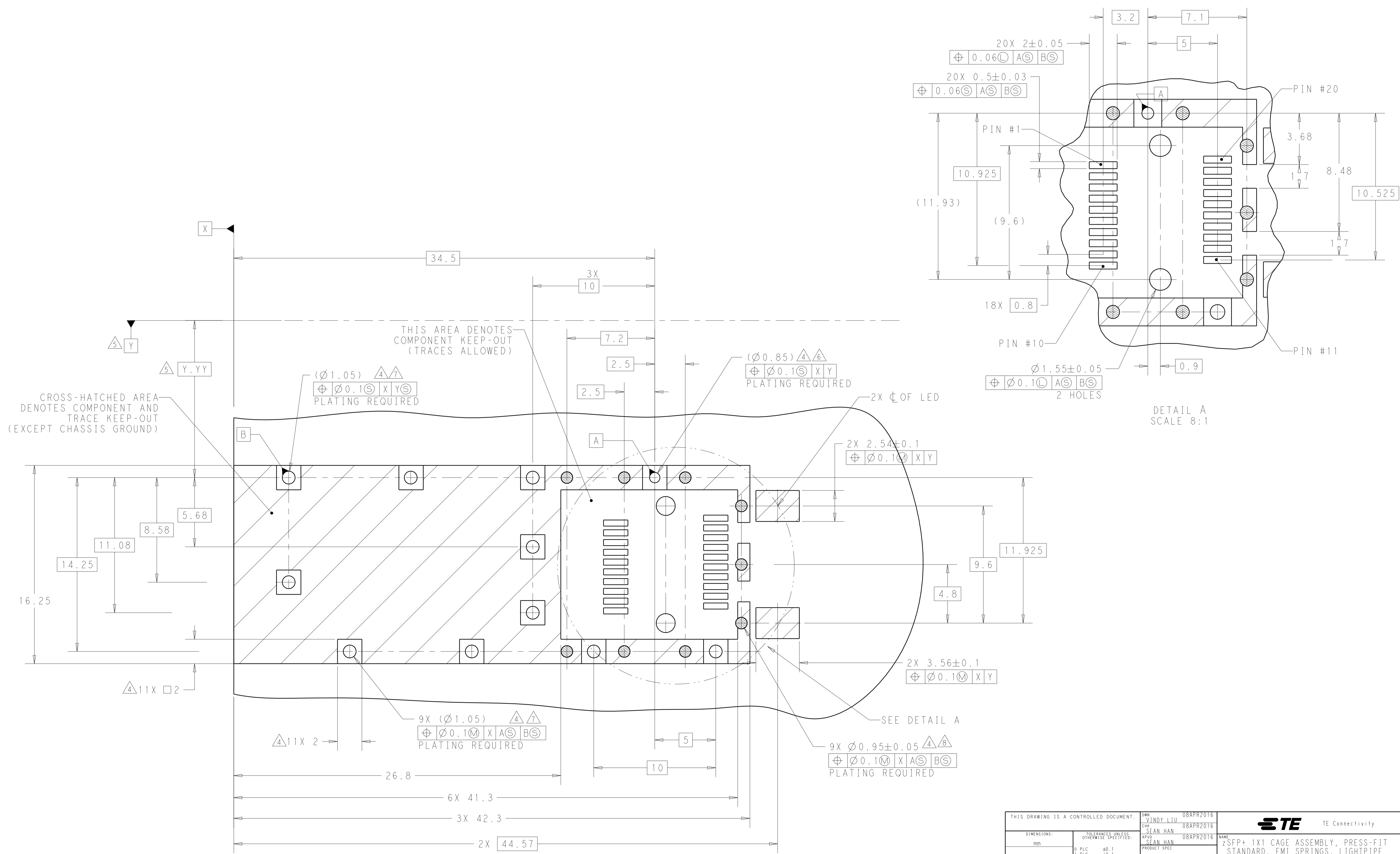
2.90	2274000-2
1.80	2274000-1
DIM A	PART NUMBER

THIS DRAWING IS A CONTROLLED DOCUMENT.

DIMENSIONS:	TOLERANCES UNLESS OTHERWISE SPECIFIED:	DMN: WINDY LIU 08APR2016	CHK: SEAN HAN 08APR2016	APVD: SEAN HAN 08APR2016	NAME: ZSFP+ 1X1 CAGE ASSEMBLY, PRESS-FIT STANDARD, EMI SPRINGS, LIGHTPIPE
mm	0 PLC ±0.1 1 PLC ±0.1 2 PLC ±0.1 3 PLC ±0.05 4 PLC ±0.05 ANGLES ±0.05	PRODUCT SPEC: 108-2364	APPLICATION SPEC: 114-13120	SIZE: CAGE CODE DRAWING NO: A100779C=2274000	RESTRICTED TO: -
MATERIAL:	FINISH:	WEIGHT:	CUSTOMER DRAWING	SCALE: 2:1	SHEET 1 OF 2 REV A

STE TE Connectivity

LOC	DIST	REV	DESCRIPTION	DATE	OWN	APVD
GP	00		SEE SHEET 1			



RECOMMENDED PCB LAYOUT
SCALE 7:1

THIS DRAWING IS A CONTROLLED DOCUMENT.		OWN: VINDY LIU 08APR2016	 TE Connectivity
DIMENSIONS: mm		CHK: SEAN HAN 08APR2016	
TOLERANCES UNLESS OTHERWISE SPECIFIED:		APVD: SEAN HAN 08APR2016	NAME: ZSFP+ 1X1 CAGE ASSEMBLY, PRESS-FIT STANDARD, EMI SPRINGS, LIGHTPIPE
0 PLC ±0.1	1 PLC ±0.1	PRODUCT SPEC: 108-2364	SIZE: 114-13120
2 PLC ±0.1	3 PLC ±0.05	APPLICATION SPEC: 114-13120	RESTRICTED TO: A100779C=2274000
4 PLC ±0.05	ANGLES ±0.05	WEIGHT: -	SCALE: 1:1
MATERIAL: FINISH: -		CUSTOMER DRAWING	SHEET 2 OF 2 REV A