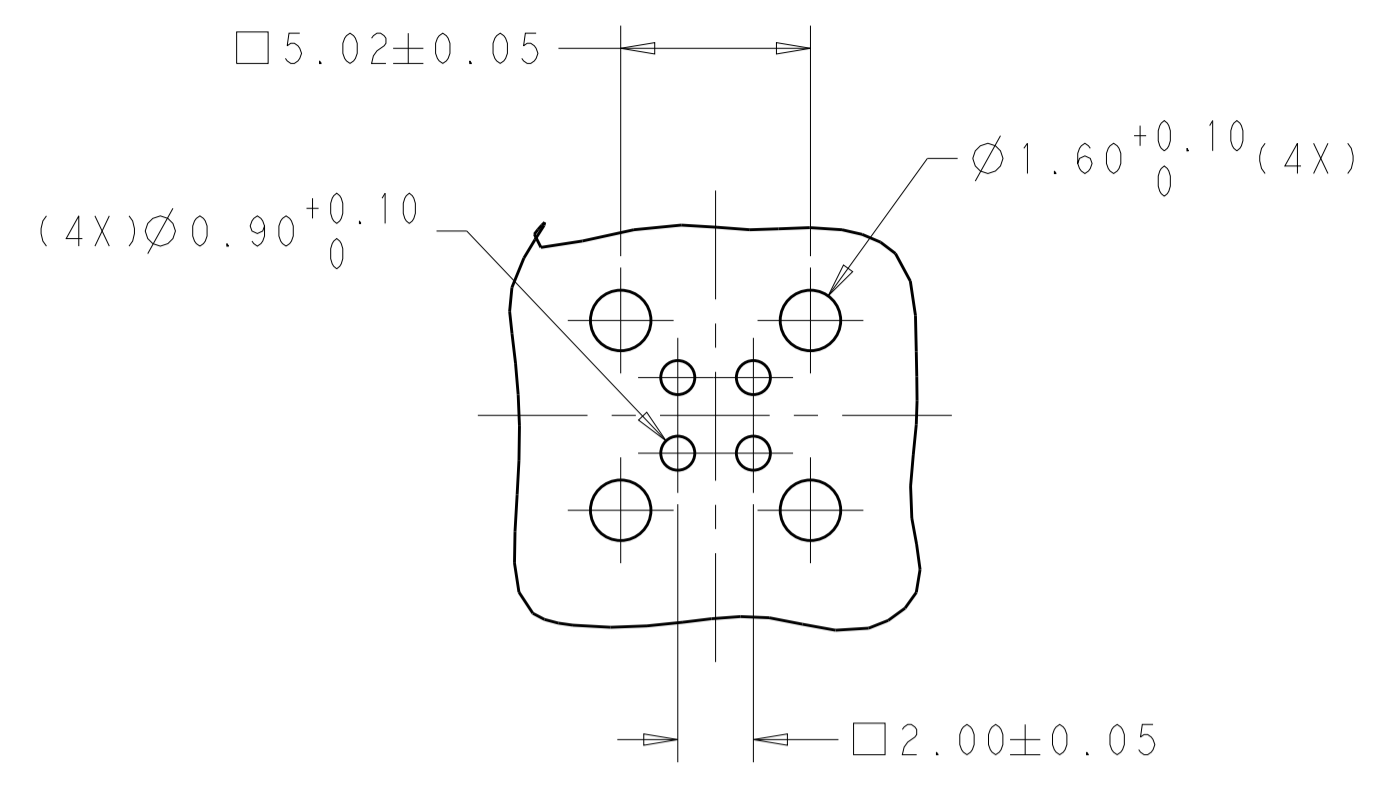
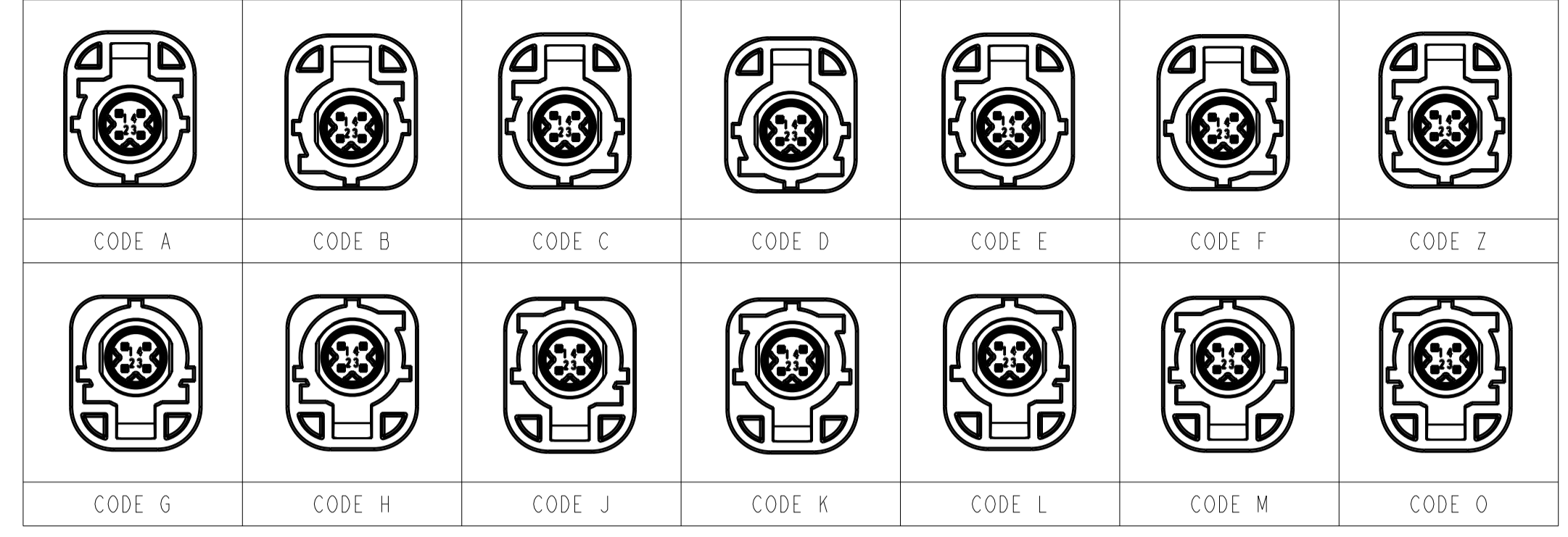
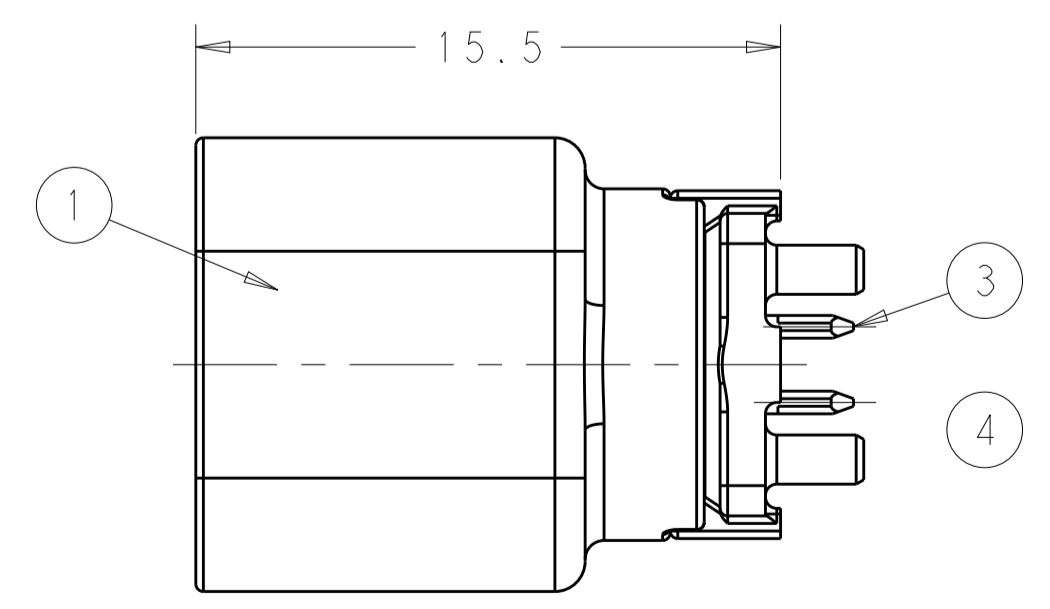
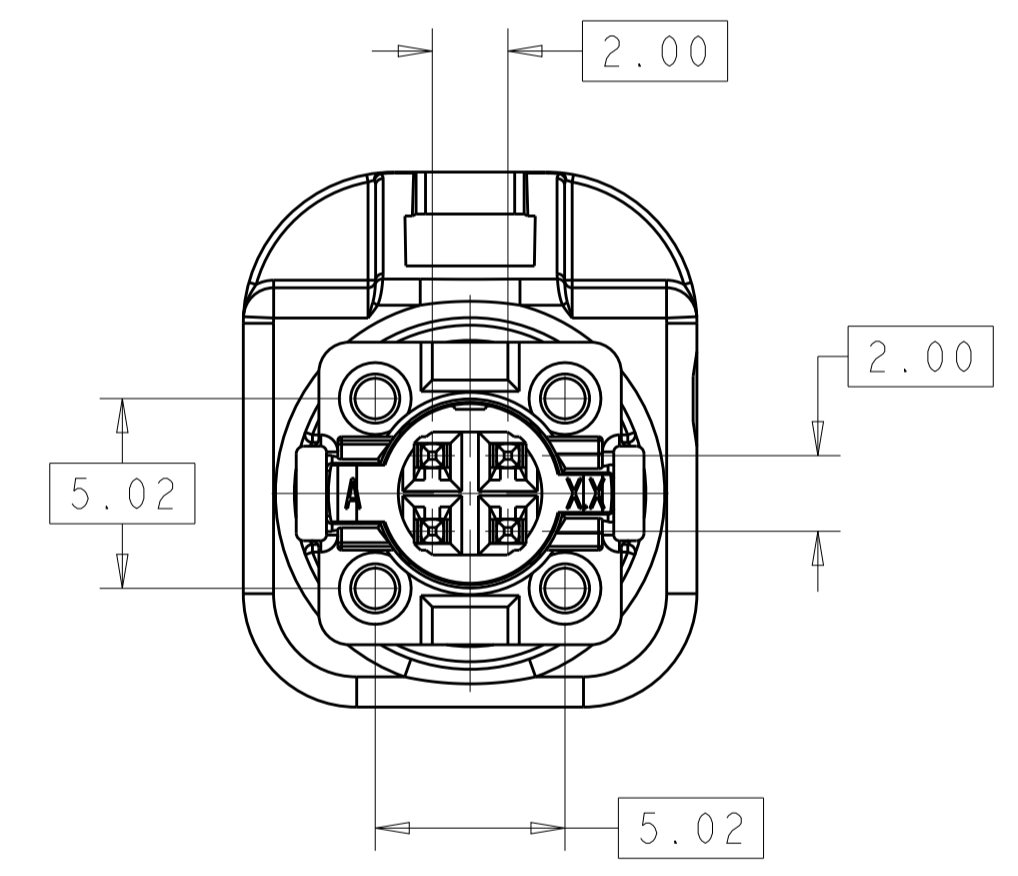
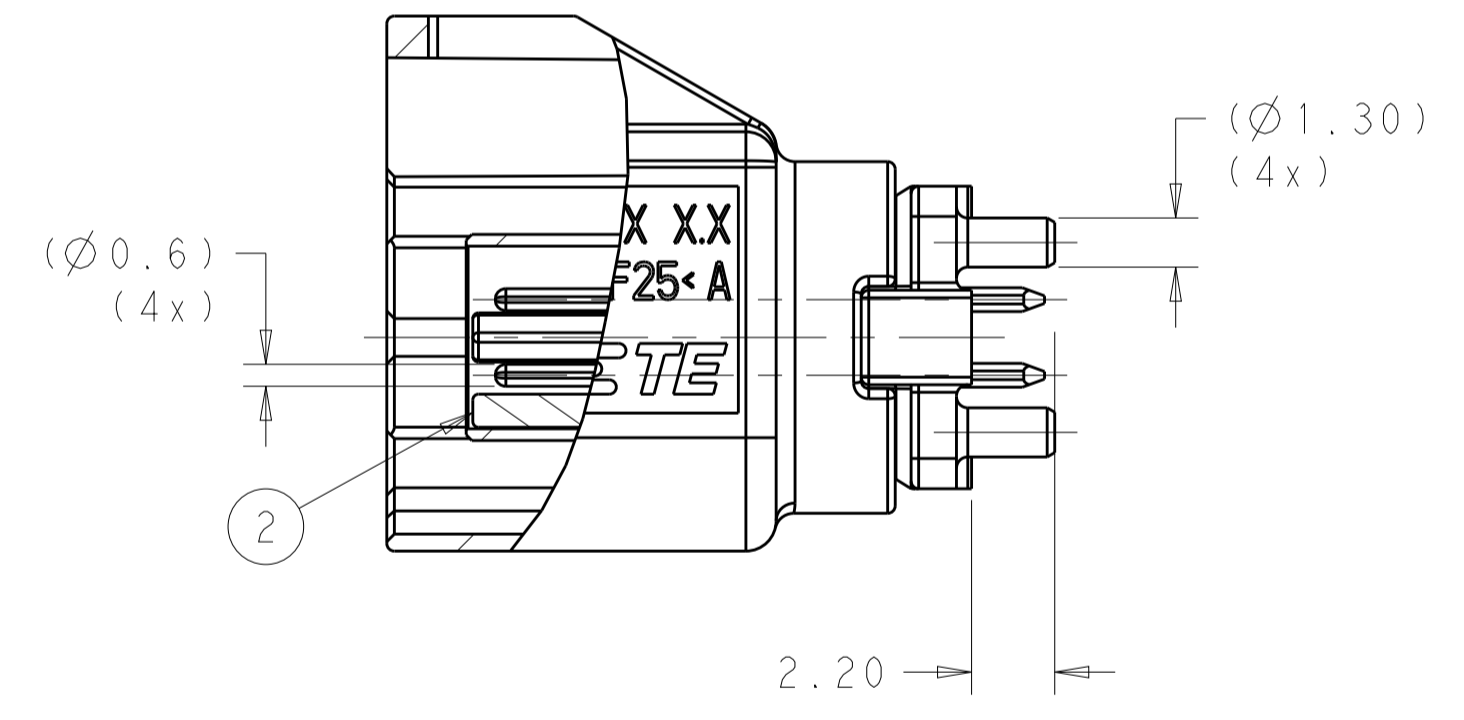
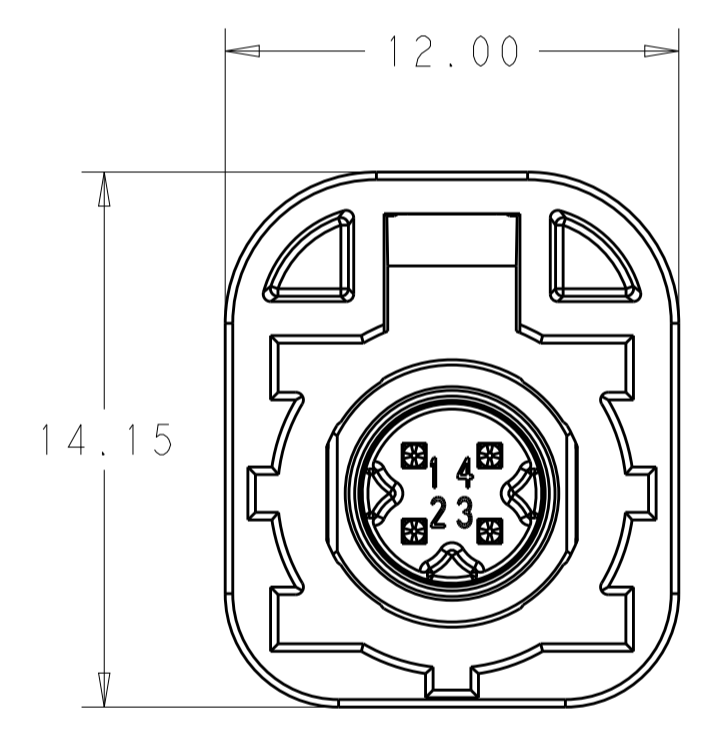
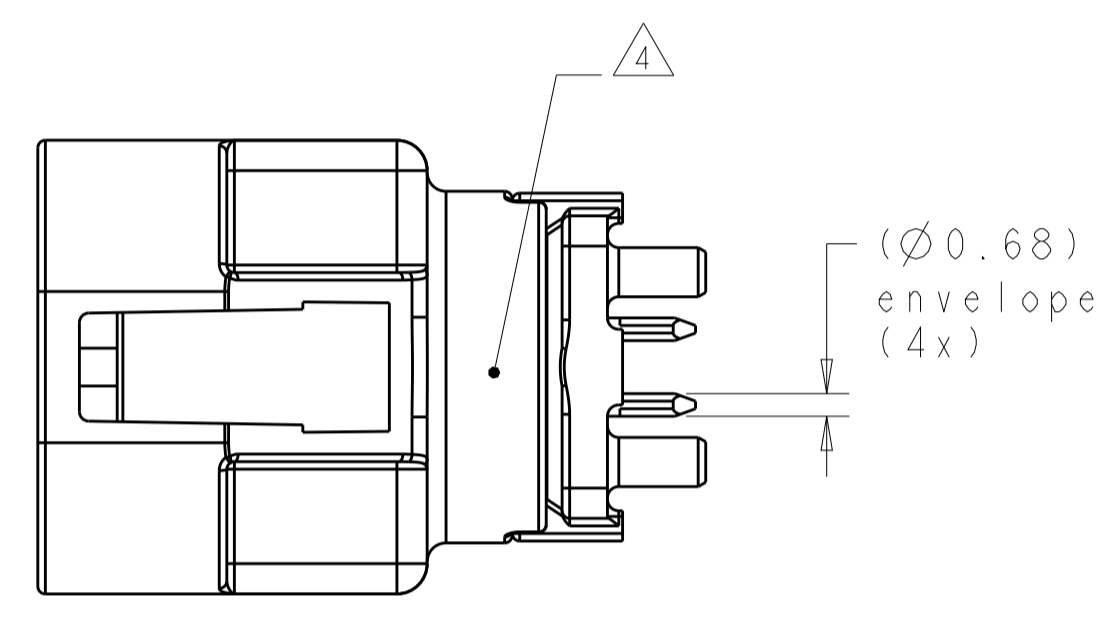


CODINGS



RECOMMENDED PCB LAYOUT

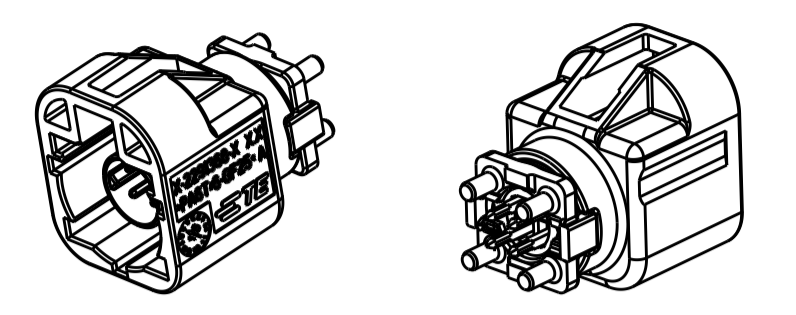


NOTES

- 1 DETAILS OF DESIGN ARE LEFT TO TE CONNECTIVITY
- 2 HSD INTERFACE ACC. TO TE SPEC. 114-18950
- 3 PACKAGING: TAPE AND REEL
- 4 MARKING OF 100% TEST PASSED
- 5 FITS WITH HSD CONNECTOR 90 DEG. TE PN X-2208145-X AND HSD CONTACT 90 DEG. TE PN 2236774-1...-3 OR HSD CONNECTOR 180 DEG. TE PN X-1823898-X AND HSD CONTACT 180 DEG. TE PN 2236772-1
- 6 ALL DIMENSIONS IN BRACKETS ( ) FOR INFORMATION ONLY

WEIGHT [g]: 2.7  
AS SHOWN CODING Z

REVISIONS				
P.	LTN	DESCRIPTION	DATE	OWN APVD
A		INITIAL RELEASE	03JUN2015	FP PW
B		ECR-16-012712	09SEP2016	FP PW
C		ECR-18-004841	09APR2018	FP WW



SCALE 2:1

QTY	CODE	DESCRIPTION	MATERIAL	FINISH COLOR, SIMILAR RAL	ITEM NO.
1		SHIELDING BODY	Zn ALLOY	SOLDER SIDE: TIN PLATING 3µm MIN. INTERFACE SIDE(OUTER CONTACT): NICKEL PLATING 3µm MIN.	4
4		CONTACT PIN	CuSn4	SOLDER SIDE: TIN PLATING 3µm MIN. INTERFACE SIDE: GOLD PLATING 0.8µm MIN.	3
1		CAVITY BLOCK	PA4T-GF30	BLACK	2
				PA6T/6-GF25	1
				LIGHT GREEN / 6027	
				PASTEL ORANGE / 2003	
				YELLOW GREEN / 6048	
				CURRY / 1027	
				BEIGE / 1001	
				HEATHER VIOLET / 4003	
				BLUISH GREY / 7031	
				WATER BULE / 5021	
				NUT BROWN / 8011	
				LEAF GREEN / 6002	
				CLARET VIOLET / 4004	
				SIGNAL BLUE / 5005	
				CREAM WHITE / 9001	
				JET BLACK / 9005	

QUANTITY																CODE	DESCRIPTION	MATERIAL	FINISH COLOR, SIMILAR RAL	ITEM NO.	
2-1	2-2	2-3	2-4	2-5	2-6	2-9	3-1	3-2	3-3	3-4	3-5	3-6	3-9								
A	B	C	D	E	F	Z	G	H	J	K	L	M	O								
B	B	B	B	B	B	B	B	B	B	B	B	B	B								

QTY	CODE	DESCRIPTION	MATERIAL	FINISH COLOR, SIMILAR RAL	ITEM NO.
1		SHIELDING BODY	Zn ALLOY	SOLDER SIDE: TIN PLATING 3µm MIN. INTERFACE SIDE(OUTER CONTACT): TIN PLATING 3µm MIN.	4
4		CONTACT PIN	CuSn4	SOLDER SIDE: TIN PLATING 3µm MIN. INTERFACE SIDE: GOLD PLATING 0.8µm MIN.	3
1		CAVITY BLOCK	PA4T-GF30	BLACK	2
				PA6T/6-GF25	1
				LIGHT GREEN / 6027	
				PASTEL ORANGE / 2003	
				YELLOW GREEN / 6048	
				CURRY / 1027	
				BEIGE / 1001	
				HEATHER VIOLET / 4003	
				BLUISH GREY / 7031	
				WATER BULE / 5021	
				NUT BROWN / 8011	
				LEAF GREEN / 6002	
				CLARET VIOLET / 4004	
				SIGNAL BLUE / 5005	
				CREAM WHITE / 9001	
				JET BLACK / 9005	

QUANTITY																CODE	DESCRIPTION	MATERIAL	FINISH COLOR, SIMILAR RAL	ITEM NO.
0-1	0-2	0-3	0-4	0-5	0-6	0-9	1-1	1-2	1-3	1-4	1-5	1-6	1-9							
A	B	C	D	E	F	Z	G	H	J	K	L	M	O							
B	B	B	B	B	B	B	B	B	B	B	B	B	B							

THIS DRAWING IS A CONTROLLED DOCUMENT. DIMENSIONS: mm. TOLERANCES UNLESS OTHERWISE SPECIFIED: 0 PLC ±, 1 PLC ±0.5, 2 PLC ±0.5, 3 PLC ±, 4 PLC ±, ANGLES ±. MATERIAL: -. FINISH: -. THIS DRAWING IS UNPUBLISHED. RELEASED FOR PUBLICATION. ALL RIGHTS RESERVED. DWG: F.PAN 01APR2015, CHK: F.PAN 01APR2015, APVD: P.WU 01APR2015. PRODUCT SPEC: 108-101388. APPLICATION SPEC: -. WEIGHT: -. SIZE: A1. CAGE CODE: -. DRAWING NO: C=2291364. RESTRICTED TO: -. SCALE: 5:1. SHEET: 1 OF 1. REV: C. Customer Drawing.

TE Connectivity  
HSD HEADER 180DEG  
4POS. ASSY.