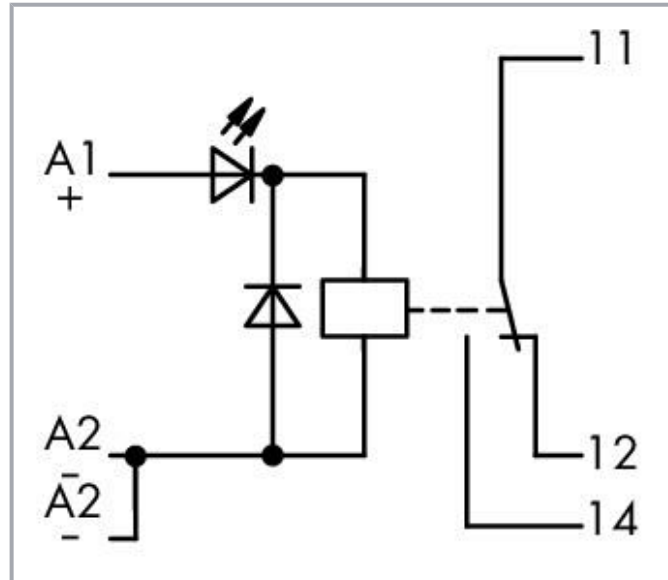


**Data sheet | Item number: 286-304/004-000**

Relay module; Nominal input voltage: 24 VDC; 1 changeover contact;  
Limiting continuous current: 6 A; Railway; Red status indicator; Module width:  
15 mm; gray



[www.wago.com/286-304/004-000](http://www.wago.com/286-304/004-000)



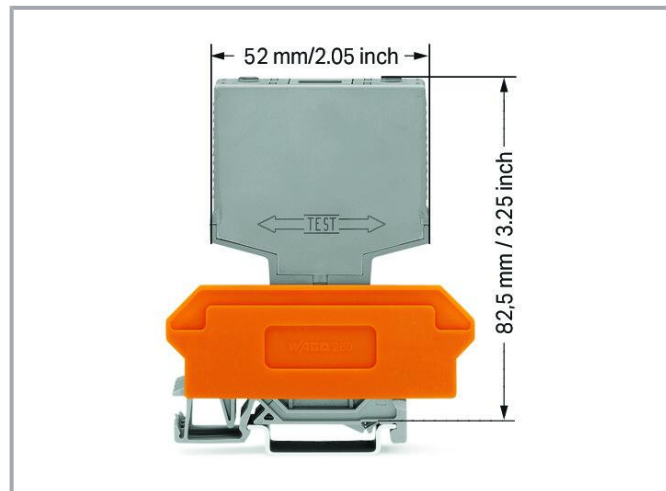
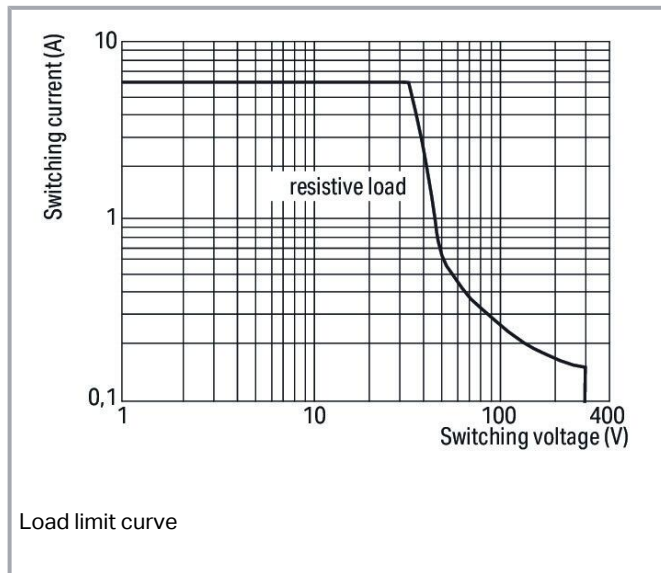
*i* Picture differs from the item.

Color: ■

Subject to changes. Please also observe the further product documentation!

WAGO GmbH & Co. KG  
Hansastr. 27  
32423 Minden  
Phone: +49571 887-0 | Fax: +49571 887-169  
Email: [info.de@wago.com](mailto:info.de@wago.com) | Web: [www.wago.com](http://www.wago.com)

Do you have any questions about our products?  
We are always happy to take your call at +49 (571) 887-44222.



## Data

### Notes

Note

This relay is designed for use in signal processing networks, which are not supplied by the low-voltage power supply networks.

## Technical data

### Control Circuit

Nominal input voltage $U_N$	DC 24 V
Input voltage range	-30 ... +25 %
Nominal input current at $U_N$	8 mA

### Load circuit

Number of changeover/switchover contacts	1
Contact material (relay)	AgSnO <sub>2</sub>
Limiting continuous current	6 A
Switching voltage (max.)	AC 250 V
Pull-in time (typ.)	8 ms

Subject to changes. Please also observe the further product documentation!



Drop-out time (typ.)	4 ms
Bounce time (typ.)	4 ms

## Signaling

Status indicator	Red LED
------------------	---------

## Safety and protection

Rated voltage	300 V
Overvoltage category	II
Pollution degree	2
Dielectric strength (control/load circuit) (AC, 1 min)	3 kVrms
Dielectric strength (open contact) (AC, 1 min)	1 kVrms
Insulation type (control/load circuit)	Reinforced insulation (safe isolation)
Insulation type (open contact)	Functional insulation
Insulation type (adjacent devices)	Reinforced insulation (safe isolation)
Protection type	IP20

## Physical data

Width	15 mm / 0.591 inches
Height from upper-edge of DIN-rail	82.5 mm / 3.248 inches
Depth	52 mm / 2.047 inches

## Mechanical data

Mounting type	Pluggable module for receptacle terminal blocks
---------------	---

## Material Data

Color	gray
Fire load	0.345 MJ
Weight	23.3 g

## Environmental requirements

Ambient temperature (operation at $U_N$ )	-25 ... +70 °C
Ambient temperature (storage)	-25 ... +70 °C
Processing temperature	-25 ... +50 °C
Relative humidity	5 ... 85 % (no condensation permissible)

Subject to changes. Please also observe the further product documentation!



Operating altitude (max.)	2000 m
---------------------------	--------

## Standards and specifications

Standards/specifications	EN 50121-3-2
--------------------------	--------------

## Commercial data

Product Group	6 (INTERFACE ELECTRONIC)
eCl@ss 10.0	27-37-16-01
eCl@ss 9.0	27-37-16-01
ETIM 8.0	EC001437
ETIM 7.0	EC001437
PU (SPU)	15 (1) pcs
Packaging type	box
Country of origin	DE
GTIN	4045454427962
Customs tariff number	85364900990

## Environmental Product Compliance

CAS-No.	7439-92-1 79-94-7
REACH Candidate List Substance	2,2',6,6'-tetrabromo-4,4'-isopropylidenediphenol Lead
RoHS Compliance Status	Compliant,With Exemption
RoHS Exemption	7(a) 7(c)-I 7(c)-II
SCIP notification number (Bulgaria)	7e24e55b-8134-4f7e-a01d-186d8fbb31ae
SCIP notification number (Czech Republic)	765dd8d9-455f-44a3-89c2-fd86087a6b62

## Approvals / Certificates

### General approvals



Logo	Approval	Additional Approval Text	Certificate name
	EAC Brjansker Zertifizierungsstelle	TP TC 004/2011	EAC RU C- DE.AM02. B.00122 /19

## Declarations of conformity and manufacturer's declarations

Subject to changes. Please also observe the further product documentation!


WAGO GmbH & Co. KG  
Hansastr. 27  
32423 Minden  
Phone: +49571 887-0 | Fax: +49571 887-169  
Email: [info.de@wago.com](mailto:info.de@wago.com) | Web: [www.wago.com](http://www.wago.com)

Do you have any questions about our products?  
We are always happy to take your call at +49 (571) 887-44222.




Logo	Approval	Additional Approval Text	Certificate name
	EU-Declaration of Conformity WAGO GmbH & Co. KG	-	-
	UK-Declaration of Conformity WAGO GmbH & Co. KG	-	-

## Optional accessories

### Marking accessories

Marker		
	<b>Item no.: 209-701</b> WSB marking card; as card; not stretchable; plain; snap-on type; white	<a href="http://www.wago.com/209-701">www.wago.com/209-701</a>

### Terminal blocks

Terminal block for pluggable modules		
	<b>Item no.: 280-619</b> Terminal block for pluggable modules; 6-pole; with 2-conductor terminal blocks; with orange separator; <a href="http://www.wago.com/280-619">www.wago.com/280-619</a> for DIN-rail 35 x 15 and 35 x 7.5; 2.5 mm <sup>2</sup> ; CAGE CLAMP®; 2,50 mm <sup>2</sup> ; gray	
	<b>Item no.: 280-609</b> Terminal block for pluggable modules; 6-pole; with 4-conductor terminal blocks; with orange separator; <a href="http://www.wago.com/280-609">www.wago.com/280-609</a> for DIN-rail 35 x 15 and 35 x 7.5; 2.5 mm <sup>2</sup> ; CAGE CLAMP®; 2,50 mm <sup>2</sup> ; gray	
	<b>Item no.: 280-763</b> Terminal block for pluggable modules; 6-pole; with 4-conductor terminal blocks; with marker carrier; <a href="http://www.wago.com/280-763">www.wago.com/280-763</a> with orange separator; for DIN-rail 35 x 15 and 35 x 7.5; 2.5 mm <sup>2</sup> ; CAGE CLAMP®; 2,50 mm <sup>2</sup> ; gray	

## Downloads

### Documentation

#### Bid Text

286-304/004-000 X81 - Datei	2019 Feb 19	xml 3.8 kB	Download
286-304/004-000 doc - Datei	2015 Mar 27	doc 27.1 kB	Download

#### Instruction Leaflet

pdf Download

Subject to changes. Please also observe the further product documentation!

WAGO GmbH & Co. KG  
Hansastr. 27  
32423 Minden  
Phone: +49571 887-0 | Fax: +49571 887-169  
Email: [info.de@wago.com](mailto:info.de@wago.com) | Web: [www.wago.com](http://www.wago.com)

Do you have any questions about our products?  
We are always happy to take your call at +49 (571) 887-44222.



1.3 MB

### Additional Information

Disposal and Recycling	V 1.1.0	pdf	Download
Electrical and electronic equipment, Batteries, Packaging	2022 Aug 18	2.2 MB	

### CAD/CAE-Data

#### CAD data

2D/3D Models 286-304/004-000	URL	Download
------------------------------	-----	----------

#### CAE data

WSCAD Universe 286-304/004-000	URL	Download
--------------------------------	-----	----------

ZUKEN Portal 286-304/004-000	URL	Download
------------------------------	-----	----------

WSCAD Universe 286-304/004-000	URL	Download
--------------------------------	-----	----------

### Environmental Product Compliance

#### Compliance Search

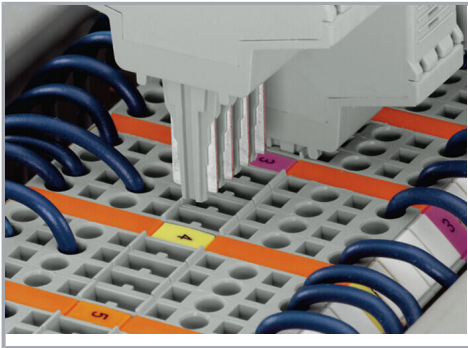
Environmental Product Compliance 286-304/004-000	URL	Download
--	-----	----------

Relay module; Nominal input voltage: 24 VDC; 1 changeover contact; Limiting continuous current: 6 A; Railway; Red status indicator; Module width: 15 mm; gray

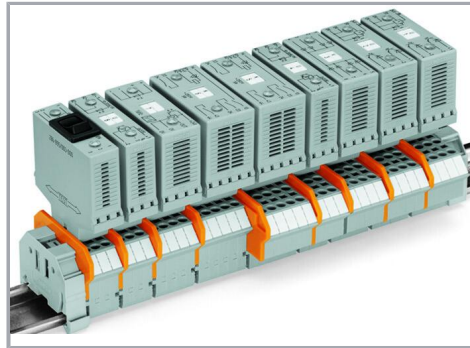
### Installation Notes

#### Installation

Subject to changes. Please also observe the further product documentation!



Coding ensures correct polarity.



Pluggable electronic modules on 2- or 4-conductor carrier terminal blocks

### Marking



Marking via WMB Multi Marking System.

### Testing



Function testing via touch-proof test slots

Subject to changes. Please also observe the further product documentation!