

Data sheet | Item number: 294-4005

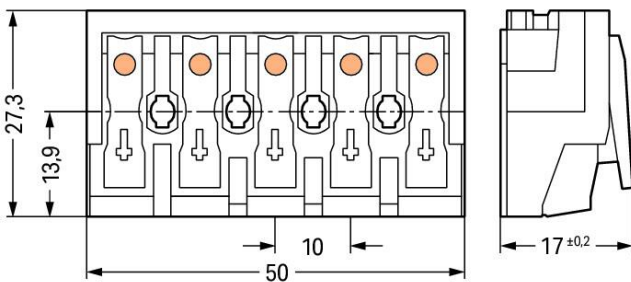
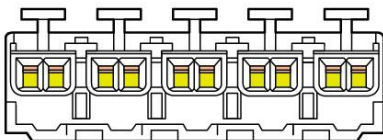
Lighting connector; push-button, external; without ground contact; 5-pole;
Lighting side: for solid conductors; Inst. side: for all conductor types; max.
2.5 mm²; Surrounding air temperature: max 85°C (T85); 2,50 mm²; white

www.wago.com/294-4005



i Picture differs from the item.

Color: 



Subject to changes. Please also observe the further product documentation!

WAGO GmbH & Co. KG
Hansastr. 27
32423 Minden
Phone: +49571 887-0 | Fax: +49571 887-169
Email: info.de@wago.com | Web: www.wago.com

Do you have any questions about our products?
We are always happy to take your call at +49 (571) 887-44222.

Item description

- External connection of solid, stranded and fine-stranded conductors
- Universal conductor termination (AWG, metric)
- Third contact located at the bottom of internal connection end
- Strain relief plate can be retrofitted

Data

Electrical data

Ratings per IEC/EN

| | |
|----------------------------|--|
| Ratings per | IEC/EN 60998-1 |
| Ratings (note) | Connection points |
| Nominal voltage (II/2) | 500 V |
| Rated surge voltage (II/2) | 4 kV |
| Rated current | 24 A |
| Legend (ratings) | (II / 2) \triangleq Overvoltage category II / Pollution degree 2 |

Ratings per IEC/EN 2

| | |
|------------------------------|-------------------|
| Ratings per 2 | IEC/EN 60998-2-2 |
| Ratings (note) 2 | Connection points |
| Rated voltage (II/2) 2 | 500 V |
| Rated surge voltage (II/2) 2 | 4 kV |
| Rated current 2 | 24 A |

Connection data

| | |
|----------------------------|--------------------|
| Connection points | 25 |
| Total number of potentials | 5 |
| Number of connection types | 4 |
| PE function | without PE contact |

Connection 1

| | |
|-----------------------------|---------------------|
| Connection type 1 | External 1 |
| Connection technology | Push-in CAGE CLAMP® |
| Number of connection points | 2 |

Subject to changes. Please also observe the further product documentation!



| | |
|--|---|
| Actuation type | Push-button |
| Connectable conductor materials | Copper |
| Solid conductor | 0.5 ... 2.5 mm ² / 18 ... 12 AWG |
| Solid conductor; push-in termination | 0.5 ... 2.5 mm ² / 18 ... 12 AWG |
| Stranded conductor | 0.5 ... 2.5 mm ² / 18 ... 14 AWG |
| Fine-stranded conductor | 0.5 ... 2.5 mm ² / 18 ... 14 AWG |
| Fine-stranded conductor; with insulated ferrule | 0.5 ... 1.5 mm ² / 18 ... 16 AWG |
| Fine-stranded conductor; with uninsulated ferrule | 0.5 ... 1.5 mm ² / 18 ... 16 AWG |
| Fine-stranded conductor; with ferrule; push-in termination | 0.5 mm ² / 18 AWG |
| Strip length | 8 ... 9 mm / 0.31 ... 0.35 inches |
| Pole number | 5 |
| Wiring direction | Side-entry wiring |

Connection 2

| | |
|---|---|
| Connection type 2 | Internal 2 |
| Connection technology 2 | PUSH WIRE [®] |
| Number of connection points 2 | 1 |
| Actuation type 2 | Push-in |
| Solid conductor 2 | 0.5 ... 2.5 mm ² / 18 ... 14 AWG |
| Fine-stranded conductor; with insulated ferrule 2 | 0.5 ... 1 mm ² / 18 ... 16 AWG |
| Fine-stranded conductor; with uninsulated ferrule 2 | 0.5 ... 1.5 mm ² / 18 ... 14 AWG |
| Strip length 2 | 8 ... 9 mm / 0.31 ... 0.35 inches |

Connection 3

| | |
|---|---|
| Connection type 3 | Internal 3 |
| Connection technology 3 | PUSH WIRE [®] |
| Number of connection points 3 | 1 |
| Actuation type 3 | Push-in |
| Solid conductor 3 | 0.5 ... 1.5 mm ² / 18 ... 16 AWG |
| Fine-stranded conductor; with insulated ferrule 3 | 0.5 ... 0.75 mm ² / 18 AWG |
| Fine-stranded conductor; with uninsulated ferrule 3 | 0.5 ... 1 mm ² / 18 AWG |
| Strip length 3 | 8 ... 9 mm / 0.31 ... 0.35 inches |

Connection 4

| | |
|-------------------------|------------------------|
| Connection type 4 | Internal 4 |
| Connection technology 4 | PUSH WIRE [®] |

Subject to changes. Please also observe the further product documentation!



| | |
|-------------------------------|---------------------------------------|
| Number of connection points 4 | 1 |
| Actuation type 4 | Push-in |
| Solid conductor 4 | 0.5 ... 0.75 mm ² / 18 AWG |
| Strip length 4 | 8 ... 9 mm / 0.31 ... 0.35 inches |

Physical data

| | |
|-------------------------|------------------------|
| Pin spacing | 10 mm / 0.394 inches |
| Width | 50 mm / 1.969 inches |
| Height from the surface | 17 mm / 0.669 inches |
| Depth | 27.3 mm / 1.075 inches |

Mechanical Data

| | |
|---------------|-------------------------------|
| Marking | plain |
| Mounting type | Without snap-in mounting feet |

Material Data

| | |
|-----------------------------|--|
| Note (material data) | Information on material specifications can be found here |
| Color | white |
| Material group | IIIa |
| Insulation material | Polycarbonate (PC) |
| Flammability class per UL94 | V0 |
| Clamping spring material | Chrome-nickel spring steel (CrNi) |
| Contact material | Electrolytic copper (E _{Cu}) |
| Contact plating | Tin |
| Fire load | 0.301 MJ |
| Halogen-free | Yes |
| Weight | 15.2 g |

Environmental requirements

| | |
|-----------------------|--------|
| Temperature stability | 120 °C |
| T marking | T85 |

Commercial data

| | |
|---------------|--------------------------------|
| Product Group | 8 (Misc. Chassis Mount Blocks) |
|---------------|--------------------------------|

Subject to changes. Please also observe the further product documentation!



| | |
|-----------------------|---------------|
| eCl@ss 10.0 | 27-14-11-06 |
| eCl@ss 9.0 | 27-14-11-06 |
| ETIM 8.0 | EC001284 |
| ETIM 7.0 | EC001284 |
| PU (SPU) | 250 pcs |
| Packaging type | Foil |
| Country of origin | CH |
| GTIN | 4050821097624 |
| Customs tariff number | 85369010000 |

Environmental Product Compliance

| | |
|---|--|
| CAS-No. | 131651-65-5 144317-44-2 220133-51-7 220689-12-3 25628-08-4 29420-49-3 375-73-5 503155-89-3 507453-86-3 68259-10-9 |
| REACH Candidate List Substance | Perfluorobutane sulfonic acid (PFBS) and its salts |
| RoHS Compliance Status | Compliant,With Exemption |
| RoHS Exemption | 6(c) 7(a) 7(c)-I 7(c)-II |
| SCIP notification number (Austria) | 5133d535-1d47-48dd-9373-672ab2c10bd9 |
| SCIP notification number (Belgium) | 3f973819-cb80-465b-bb5f-61063bad7572 |
| SCIP notification number (Bulgaria) | df2800dc-a150-43bc-ace7-ad5b01e0bce6 |
| SCIP notification number (Czech Republic) | da63a81c-f1d3-42f5-8613-1a496f4d3cb3 |
| SCIP notification number (Denmark) | 3103af50-b593-4610-9dec-931e4f2f3a7e |
| SCIP notification number (Finland) | ba63370a-655c-4589-8347-7ad0fab69438 |
| SCIP notification number (France) | 64274259-5869-4964-8706-0a3cb58f49cb |
| SCIP notification number (Germany) | 34ed2974-e51e-438d-9d68-6f232dbda2b2 |
| SCIP notification number (Hungary) | 18ddc02e-321c-4841-bdfe-68f8f7c3a76e |
| SCIP notification number (Italy) | 1d9068db-2175-4646-a527-40cced68dfc5 |
| SCIP notification number (Netherlands) | bbcbcbcb6-5197-4fb9-a910-96bf9e324e4d |
| SCIP notification number (Poland) | 1f6c6f8f-c0ea-439d-b61c-0ec70916a94c |
| SCIP notification number (Romania) | 4083fee9-cfb8-4b8a-9176-a34e1d4af43e |

Subject to changes. Please also observe the further product documentation!

WAGO GmbH & Co. KG
Hansastr. 27
32423 Minden
Phone: +49571 887-0 | Fax: +49571 887-169
Email: info.de@wago.com | Web: www.wago.com


Do you have any questions about our products?
We are always happy to take your call at +49 (571) 887-44222.

SCIP notification number (Sweden)



aab543c9-3435-42f9-8d22-05b9bc5aaaae0

Approvals / Certificates

General approvals

| Logo | Approval | Additional Approval Text | Certificate name |
|--|-------------------------------------|--------------------------|------------------|
|  | ENEC 05 DEKRA Certification B.V. | EN 60998 | 2128791.01 |

Declarations of conformity and manufacturer's declarations

| Logo | Approval | Additional Approval Text | Certificate name |
|---|--|--------------------------|------------------|
|  | EU-Declaration of Conformity WAGO GmbH & Co. KG | - | - |
|  | UK-Declaration of Conformity WAGO GmbH & Co. KG | - | - |

Optional accessories

Tool

Operating tool



Item no.: 206-294
Disconnection tool; green

www.wago.com/206-294

Strain relief

Strain relief



Item no.: 294-370
Strain relief; for 294 Series; with snap-in mounting feet; white

www.wago.com/294-370

Item no.: 294-375
Strain relief; for 294 Series; without snap-in mounting feet; white

www.wago.com/294-375

Strain relief plate

Subject to changes. Please also observe the further product documentation!

WAGO GmbH & Co. KG
Hansastr. 27
32423 Minden
Phone: +49571 887-0 | Fax: +49571 887-169
Email: info.de@wago.com | Web: www.wago.com

Do you have any questions about our products?
We are always happy to take your call at +49 (571) 887-44222.



Item no.: 294-364

Strain relief plate; for 294 Series; for multicore cables; 3- to 5-pole; with secured clamp; white

www.wago.com/294-364



Item no.: 294-384

Strain relief plate; for 294 Series; for single strands; 3- to 5-pole; with secured clamp; white

www.wago.com/294-384

Downloads

Documentation

Bid Text

| | | | |
|-------------------------|-------------|----------------|----------|
| 294-4005 X81 - Datei | 2019 Feb 19 | xml 5.7 kB | Download |
| 294-4005 doc - Datei | 2017 Jun 13 | doc 28.7 kB | Download |

Additional Information

| | | | |
|---|--|---------------|----------|
| Technical Section Technical explanations | | pdf 2.2 MB | Download |
|---|--|---------------|----------|

CAD/CAE-Data

CAD data

| | | | |
|-----------------------|--|-----|----------|
| 2D/3D Models 294-4005 | | URL | Download |
|-----------------------|--|-----|----------|

CAE data

| | | | |
|-------------------------|--|-----|----------|
| WSCAD Universe 294-4005 | | URL | Download |
| ZUKEN Portal 294-4005 | | URL | Download |

Environmental Product Compliance

Compliance Search

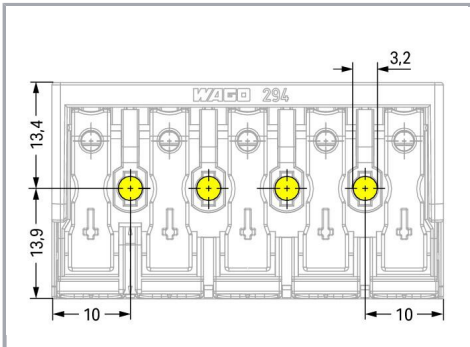
| | | | |
|---|--|-----|----------|
| Environmental Product Compliance 294-4005 | | URL | Download |
|---|--|-----|----------|

Subject to changes. Please also observe the further product documentation!

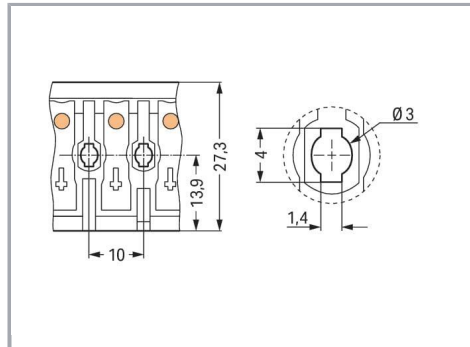
Lighting connector; push-button, external; without ground contact; 5-pole; Lighting side: for solid conductors; Inst. side: for all conductor types; max. 2.5 mm²; Surrounding air temperature: max 85°C (T85); 2,50 mm²; white

Installation Notes

Installation

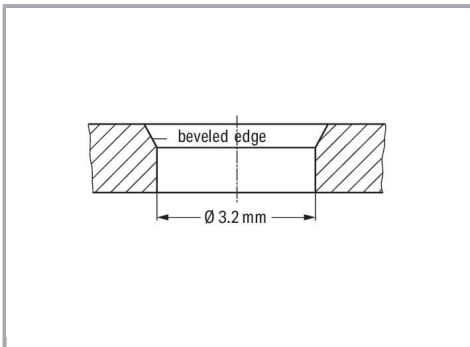


5-pole – without ground contact



Mounting hole for screw

Notice: The maximum thread diameter for self-tapping screws is 3 mm.

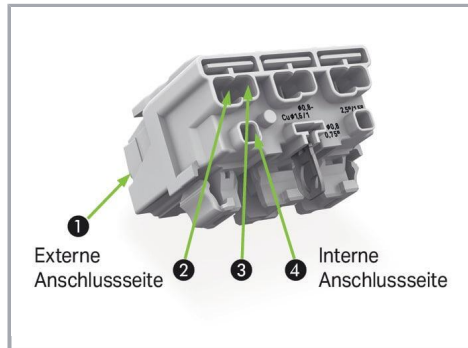
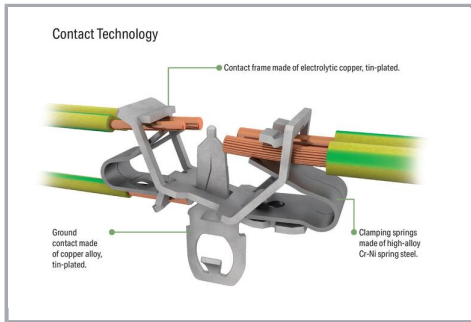


Hole for screw mount

Notice: The maximum thread diameter for self-tapping screws is 3 mm.

Conductor termination

Subject to changes. Please also observe the further product documentation!



| EUROPE |
|--------------------------------------|
| 1 x 0.5 ... 2.5 mm ² "s" |
| 1 x 0.5 ... 1.5 mm ² "s" |
| 1 x 0.5 ... 0.75 mm ² "s" |
| AMERICA |
| 1 x AWG 18 ... 14 "s" |
| 1 x AWG 18 ... 16 "s" |
| 1 x AWG 18 "s" |
| JAPAN |
| 1 x 0.8 ... 1.6 mm diam. "s" |
| 1 x 0.8 ... 1 mm diam. "s" |
| 1 x 0.8 mm diam. "s" |

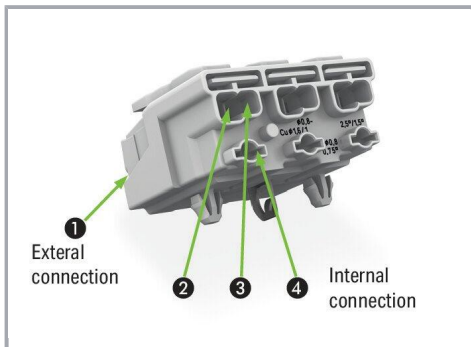
| EUROPE |
|---|
| 2 x 0.5 ... 2.5 mm ² "s, str, f-str" |
| |
| |
| AMERICA |
| 2 x AWG 18 ... 12 "s" |
| 2 x AWG 18 ... 14 "s, f-str" |
| |
| |
| JAPAN |
| 2 x 0.8 ... 2 mm diam. "s" |
| 2 x 0.5 ... 2 mm ² "str, f-str" |
| |
| |

Internal connection:

PUSH WIRE® for internal wiring with solid conductors

External connection:

Push-in CAGE CLAMP® for field-wiring with all conductor types



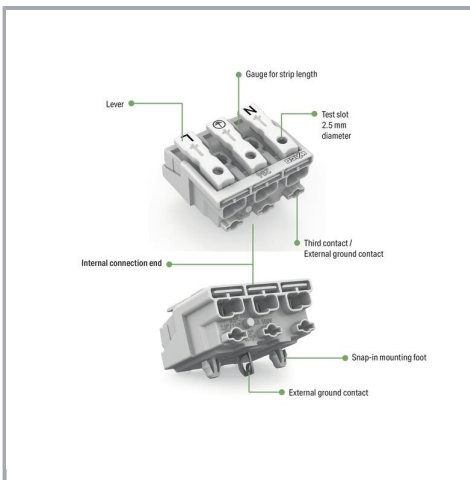
Subject to changes. Please also observe the further product documentation!

WAGO GmbH & Co. KG
 Hansastr. 27
 32423 Minden
 Phone: +49571 887-0 | Fax: +49571 887-169
 Email: info.de@wago.com | Web: www.wago.com

Do you have any questions about our products?
 We are always happy to take your call at +49 (571) 887-44222.



Terminating five conductors per pole – solid and fine-stranded.



Subject to changes. Please also observe the further product documentation!