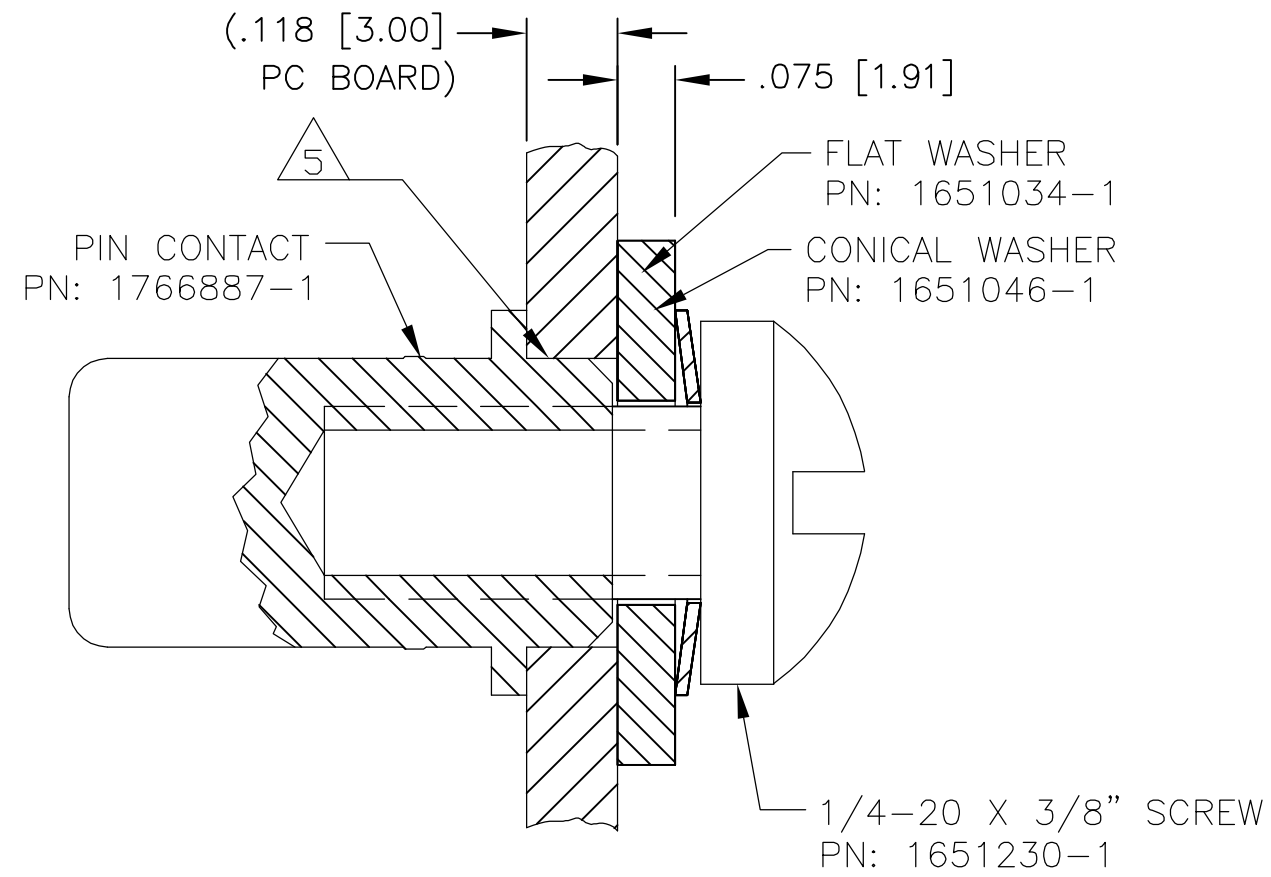
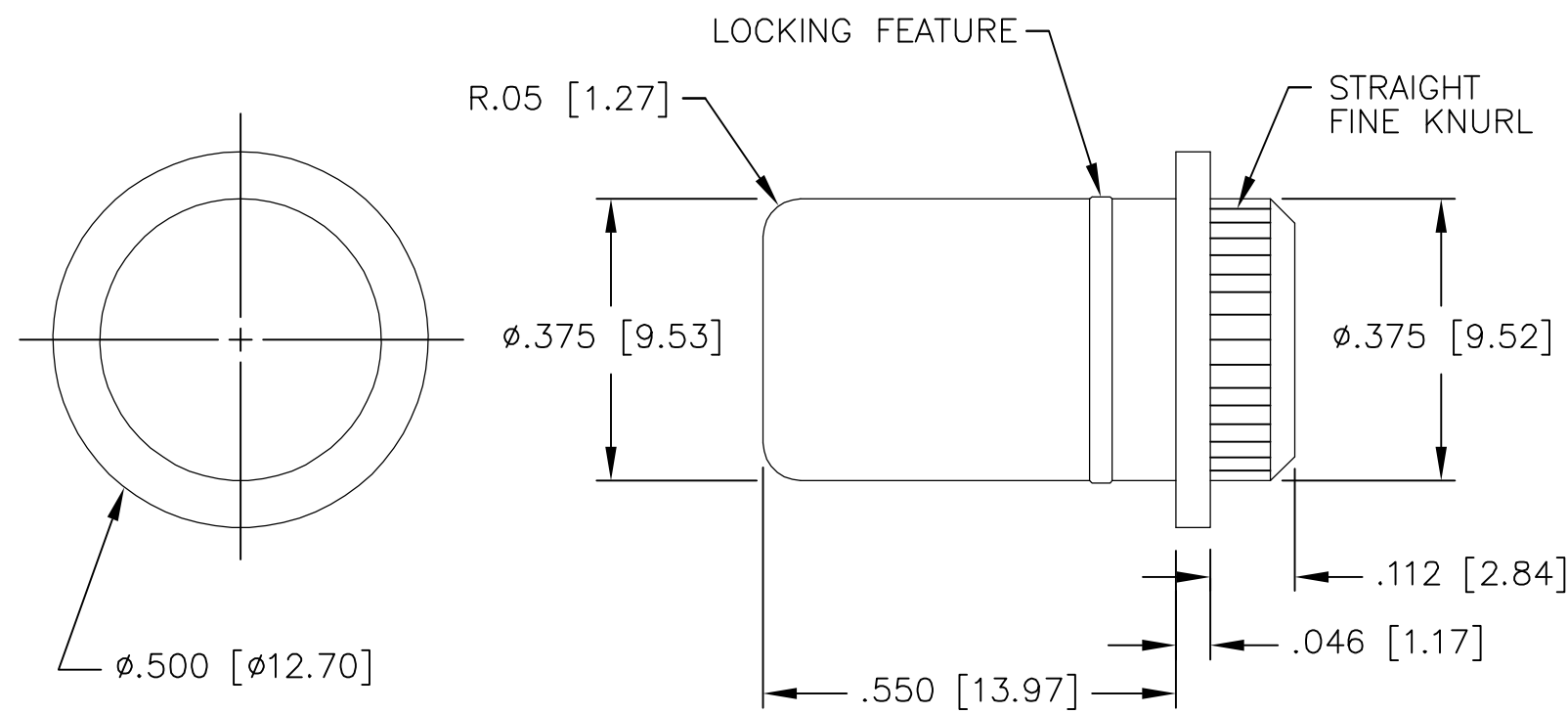


THIS DRAWING IS UNPUBLISHED. RELEASED FOR PUBLICATION  
 © COPYRIGHT BY TYCO ELECTRONICS CORPORATION. ALL RIGHTS RESERVED.

LOC	DIST	REVISIONS					
GP	00	P	LTR	DESCRIPTION	DATE	DWN	APVD
			A	RELEASED	04MAY06	RG	SF



- PART NUMBER CHANGES AND/OR DESIGN CHANGES AFFECTING ITEM INTERCHANGEABILITY REQUIRE PRIOR TYCO APPROVAL AND AUTHORIZATION BY REVISION TO THIS DRAWING.
- ITEMS PROVIDED TO THIS SPECIFICATION SHALL BE IDENTIFIED ON THE CONTAINER WITH THE FOLLOWING INFORMATION: PART NUMBER & DATE CODE OF MANUFACTURE.

- 3 MATERIAL - PIN CONTACT: COPPER ALLOY  
CONICAL WASHER: SPRING STEEL.  
SCREW AND FLAT WASHER: STEEL.
- 4 FINISH - PIN CONTACT: SILVER PLATE .00020 MIN THK. OVER  
NICKEL .000040 MIN THK.  
SCREW: NICKEL PLATE  
CONICAL & FLAT WASHERS: NICKEL PLATE
- 5 RECOMMENDED HOLE DIAMETER AFTER PLATING:  
0.370+0.003/-0.001 [9.40+0.07/-0.03].

ASSEMBLY DETAIL

AS SHOWN	6648226-1
DESCRIPTION	PART NUMBER

THIS DRAWING IS A CONTROLLED DOCUMENT.		DWN R.GRZYBOWSKI 04MAY2006	Tyco Electronics Corporation Harrisburg, PA 17105-3608	
DIMENSIONS: INCHES		CHK S.FLICKINGER 04MAY06		
TOLERANCES UNLESS OTHERWISE SPECIFIED:		APVD S.FLICKINGER 04MAY06	NAME	
0 PLC ± - 1 PLC ± - 2 PLC ± .02 [.5] 3 PLC ± .010 [.25] 4 PLC ± - ANGLES ± .5		PRODUCT SPEC	PIN CONTACT, SIZE NO.2, SCREW MOUNT LOCKING STYLE PRESS FIT	
MATERIAL 3		FINISH 4	APPLICATION SPEC	RESTRICTED TO
		WEIGHT -	SIZE A3	CAGE CODE 00779
			DRAWING NO C-6648226	
		CUSTOMER DRAWING	SCALE 1:1	SHEET 1 OF 1
			REV A	

ELCON CONTACTS