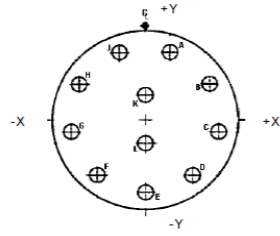


Contact Layout

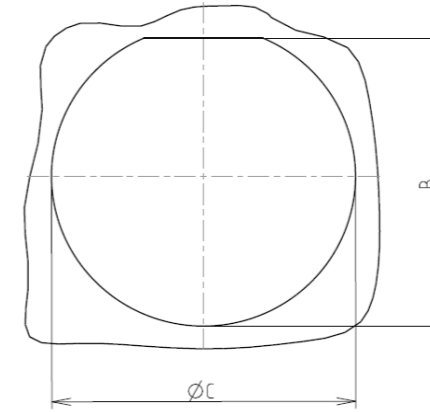


| Contacts (Insert arrangement 21-11) | | | | | |
|--|-------------|-------------|---------------------|-------------|-------------|
| Contact position ID | Location | | Contact position ID | Location | |
| | X-axis (mm) | Y-axis (mm) | | X-axis (mm) | Y-axis (mm) |
| A | +121 (3.07) | +332 (8.43) | G | -348 (8.84) | -061 (1.55) |
| B | +306 (7.77) | +177 (4.50) | H | -306 (7.77) | +177 (4.50) |
| C | +348 (8.84) | -061 (1.55) | J | -121 (3.07) | +332 (8.43) |
| D | +227 (5.77) | -270 (6.86) | K | +000 (0.00) | +123 (3.12) |
| E | +000 (0.00) | -353 (8.97) | L | +000 (0.00) | -115 (2.92) |
| F | -227 (5.77) | -270 (6.86) | --- | --- | --- |

| Shell size | Arrangement no. | Number of contacts | Size contacts | Service rating | Contact location | Supersedes |
|------------|-----------------|--------------------|---------------|----------------|------------------|------------|
| 21 | -11 | 11 | 12 | I | All | MS20055-11 |

Panel cutout

JAM NUT RECEPTACLE (TYPE 7)



Max. thickness panel for receptacle: Type 7: 3.2 mm

| Dim | Nominal |
|-----|---------------|
| B | 37.08+0/-0.25 |
| ØC | 38.35+0.25/-0 |

SOURIAU shall not be liable for any non-conformity or damage due to a use of the Products which does not comply with the Specifications issued by either of the Parties or by a third party (professional recommendation, technical notice.)

| Country | Jurisdiction & Control List |
|---------|-----------------------------|
| FR | Not Listed |

PN: 8D721K11AA

| | | | |
|----------------|---|----------------------------|---|
| A | 08-11-2016 | First Release | |
| ISS | DATE | Latest modification - by | MOD N° |
| Designed By: | | Date: | CUSTOMER DRAWING |
| TITLE | Stainless Steel Receptacle 8D series | | |
| SCALE | | General linear Tolerances: | NPRDS / PROJECT |
| NA | | ±-- | 859 |
| SOURIAU | WWW.SOURIAU.COM | | This document is the property of SOURIAU it must not be reproduced or communicated without permission |
| FORMAT | SOURIAU DRG N° 8D721K11AA-C | | SHEET 2/2 |