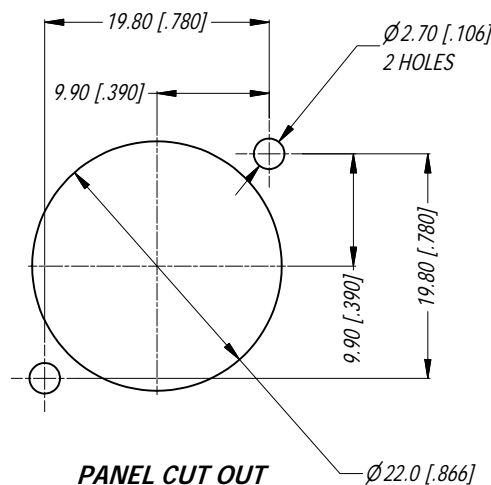


PCB LAYOUT

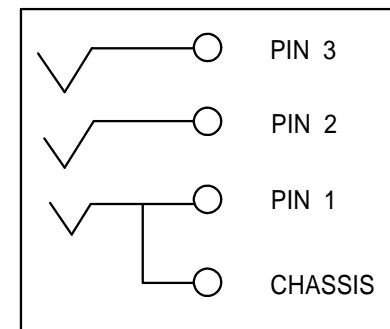
LAYOUT TOLERANCE : ± 0.05 [0.002 in]

NOTE: DIMENSIONS IN PARENTHESES ARE IN INCHES.

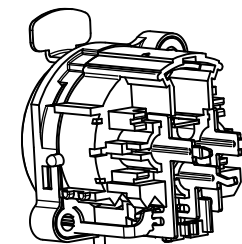


PANEL CUT OUT

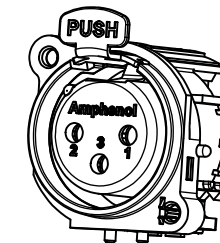
REAR VIEW



SCHEMATIC CHART



3D VIEW (1:1)



REV	DESCRIPTION	DATE	BY	CHG NO
2	ADD SUFFIX B TO PART No	27/08/15	T.N	9318
1	CHANGE PUSH LEVER & LATCH SPRING	18/12/08	A.O	8793
0	FIRST ISSUE	18/04/07	T.N	8686

REVISION HISTORY

UNLESS OTHERWISE SPECIFIED TOLERANCE TO BE:		THIS DOCUMENT IS THE PROPERTY OF AMPHENOL AUSTRALIA PTY. LTD. NO PART THEREOF MAY BE REPRODUCED AND USED WITHOUT THE PRIOR WRITTEN CONSENT OF THE OWNER			
LINER	ANGULAR	CAD FILE:	DRN:	DATE:	
X ±	X' ± 1	55010494000221	T.N	17/04/07	
X.X ±	X.X' ± 30°	MATL: REFER TO COMPONENTS	CKD: P.M	DATE: 07/04/09	
X.XX ±	X.X'X' ± 15°	DO NOT SCALE	APP'D: P.M	DATE: 07/04/09	
BREAK ALL SHARP EDGES AND REMOVE ALL BURRS		FINISH: REFER TO COMPONENTS	SCALE: 3:2	PART No:	AC3FBV3-AU-B
DIMENSIONS IN MILLIMETRES		THIRD ANGLE PROJECTION		SIZE: A4	

TITLE: XLR FEMALE B TYPE CONNECTOR CUSTOMER DWG		Amphenol	
DRAWING NO. 55010494-000-2		SHEET 2/2	

NOTE: SUFFIX "B" IN THE PART No. INDICATES BULK PACK.