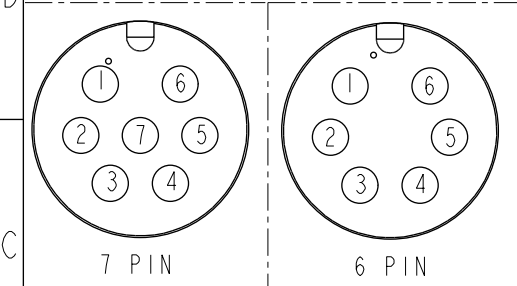
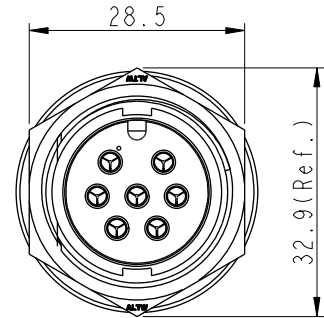
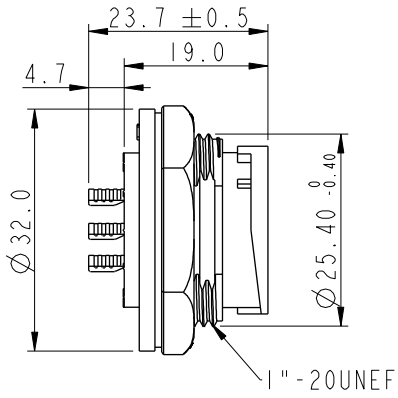
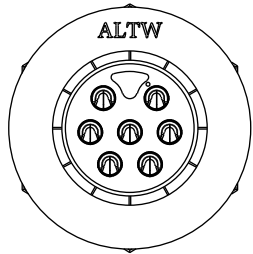
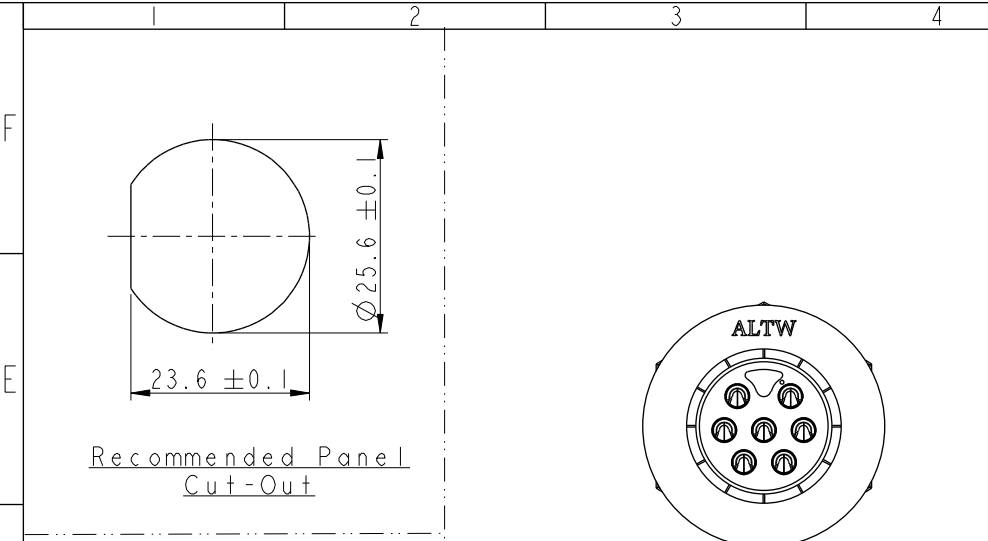
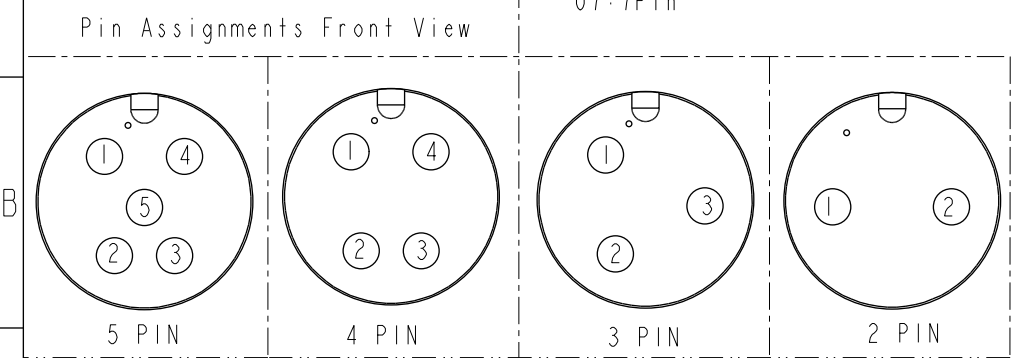
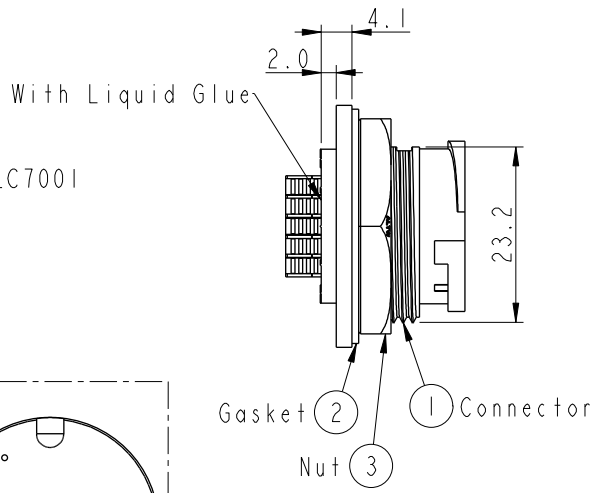


REV.	ECN NO.	DATE	SIGN	DESCRIPTION
B	C190347	2019/03/06	Vicky	Change Note



ADC-XXPMMS-LC7001  
 02: 2Pin  
 :  
 07: 7Pin



- Note:**
- \*  $\varnothing$  Important Dimension To Check.
  - \* Waterproof Rate: IP67, Unmated.
  - \* Housing: Thermoplastic, Black.
  - \* Pin: Copper Alloy, Gold Plated.
  - \* Nut: Thermoplastic, Black.
  - \* Gasket: Rubber, Gray.
  - \* Use with waterproof cap or dust cap  
Maximum Panel Thickness: 1.8mm
  - \* Use without waterproof cap or dust cap  
Maximum Panel Thickness: 3.0mm
  - \* Gasket and Nut are packed separately in PE bags. (Gasket/Nut不組裝，散裝出貨)

UNIT: mm  TOLERANCE .X ±0.25 .XX ±0.1 .XXX ±0.05 ANGLES ±1°	TITLE LARGE PANEL LOCK M CONN M PIN			ITEM NO DWG NO CUSTOMER		DRAWN BY Vicky	DATE 2019-03-06
	SCALE 1:1	SIZE A4	SHEET 1 OF 1	Amphenol LTW 安費諾亮泰企業股份有限公司		CHECKED BY Rita	DATE 2019-03-06
	REV. B	WC-REV. A.2	QC: Inspection item	ALTW		APPROVED BY Max	DATE 2019-03-06

THIS DOCUMENT IS SUBJECT TO CHANGE WITHOUT NOTICE. IT IS CONFIDENTIAL AND A PROPERTY OF Amphenol LTW. DISCLOSURE TO THIRD PARTY HAS TO BE AUTHORIZED BY Amphenol LTW.