



# 1087.5 MHz Cavity Bandpass Filter

Part Number: AE1087B11790



**ANATECH ELECTRONICS INC**  
RF & Microwave Filters & Products

## Electrical specifications

**Center Frequency:** 1087.5MHz  
**Bandwidth:** 255 MHz  
**Input / Output Impedance:** 50 Ohms  
**Passband:** 960-1215 MHz  
**Passband Insertion Loss:** 0.5 dB max.  
**Passband Ripple:** <0.2 dB  
**Passband Return Loss:** VSWR = 1.4:1 max  
**Rejection:** @ 5-700 MHz >50 dB  
**Rejection 2:** @ 1700 MHz to 10 GHz >50 dB  
**Power Handling:** 200W (CW)

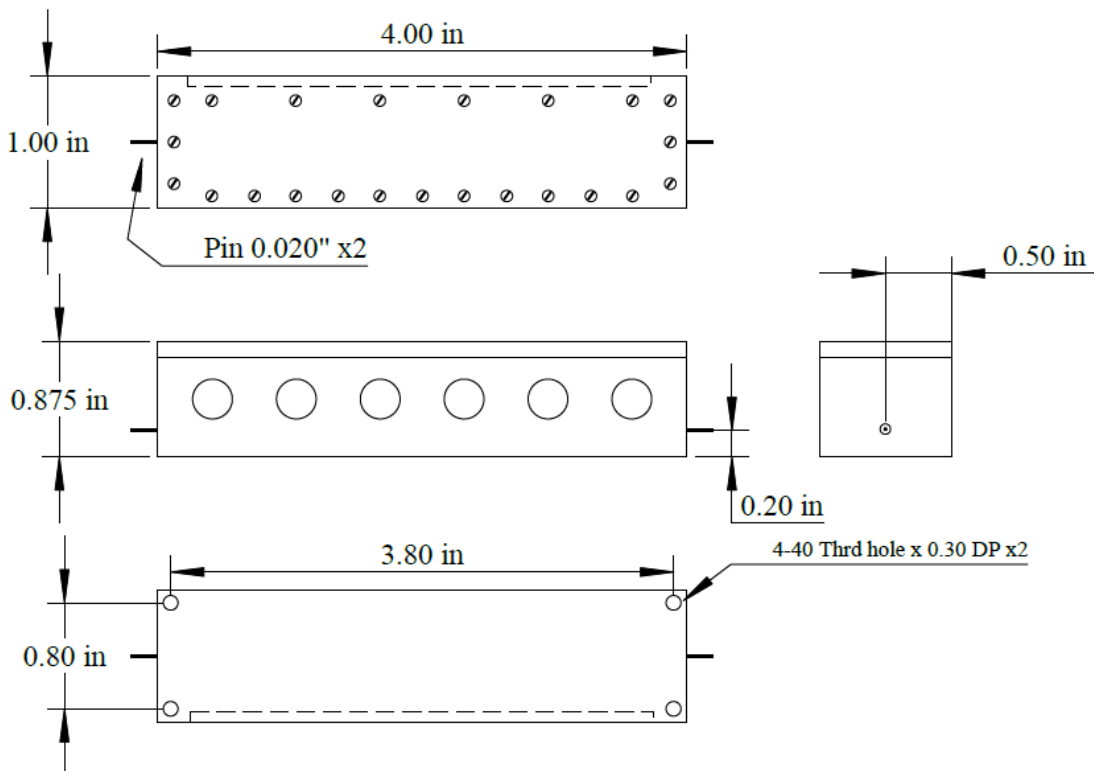
## Mechanical

**Mounting Method:** Top mounting (Thru holes)  
**Case Style:** Drop-In  
**Dimensions:** 4" x 1" x 0.875"

## Environmental

**Operating Temperature:** -45 to +85 deg.C  
**Storage Temperature:** -55to +95 deg.C  
**Shock:** 20 G. 11ms  
**Vibration:** 20 G. 5 to 200 MHz

## Outline Drawing:





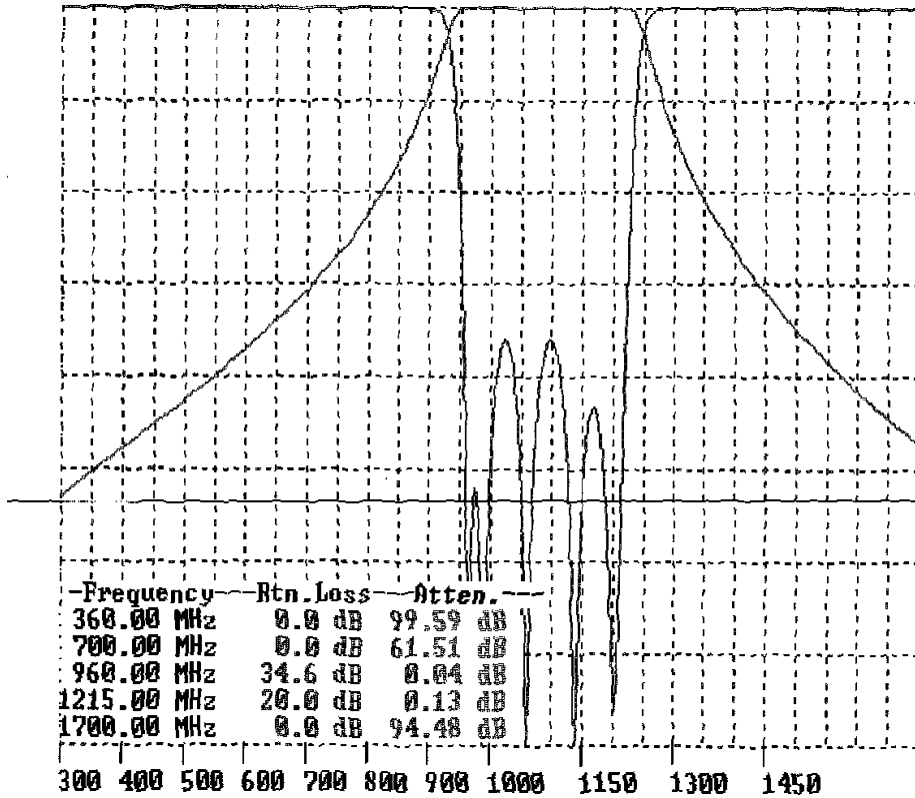
# 1087.5 MHz Cavity Bandpass Filter

## Part Number: AE1087.5B10562

**ANATECH ELECTRONICS INC**  
RF & Microwave Filters & Products



### Response Plot:



From 300 MHz  
To 1700 MHz  
Marker = 300.000

Atten. 20.000 dB/div.  
Ref = 0.0036163  
106.367 dB  
106.283 dB (Rel.)  
Rtn. loss 5 dB/div.  
ref = 0  
0.001 dB

0.5 dB Bw 279.41 MHz  
3.0 dB Bw 302.94 MHz