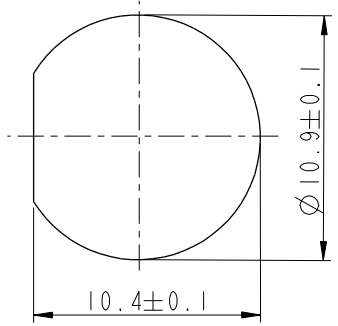
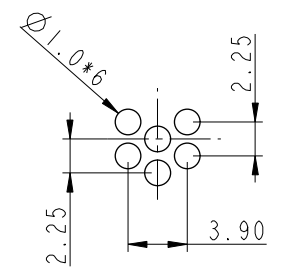


THIS DOCUMENT IS SUBJECT TO CHANGE WITHOUT NOTICE. IT IS CONFIDENTIAL AND A PROPERTY OF AMPHENOL LTW. DISCLOSURE TO THIRD PARTY HAS TO BE AUTHORIZED BY AMPHENOL LTW.

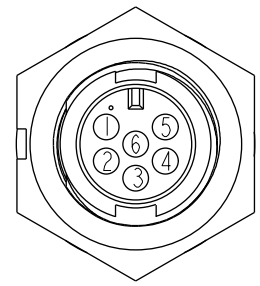
REV.	ECN NO.	DATE	SIGN	DESCRIPTION
B	LEN-880493	2008/07/19	Li Xiu Zhi	Change Dimensions
C	LEN1640081	2016/03/30	Vicky	Update Logo
D	CI90268	2019/02/19	Ruru	Modify Note



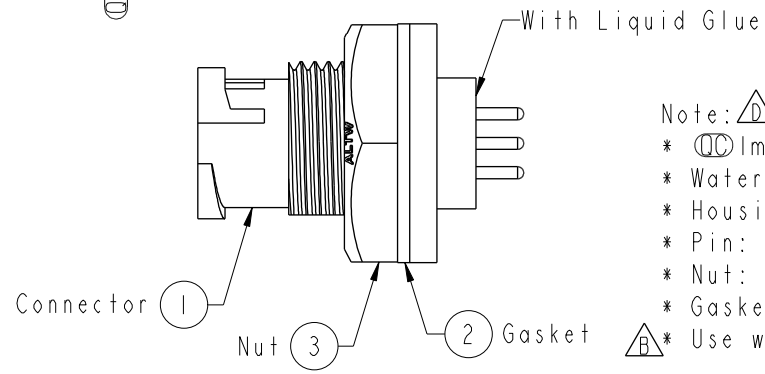
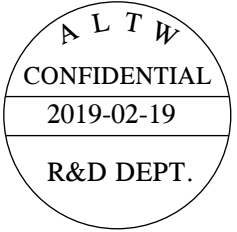
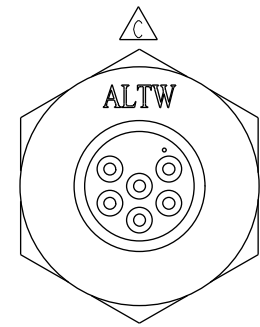
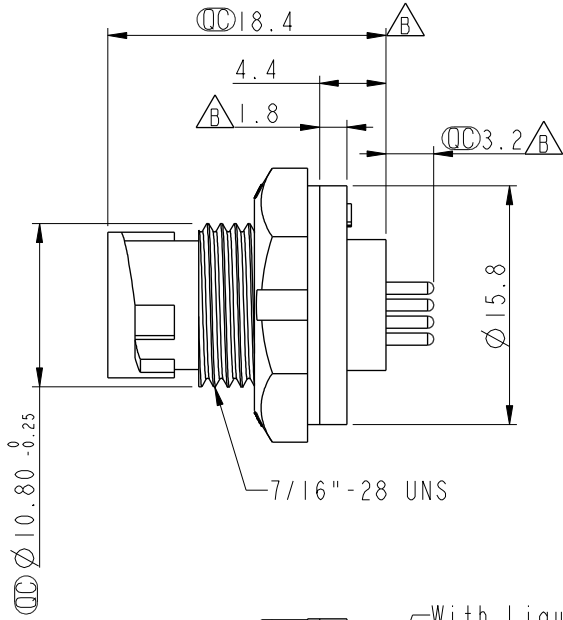
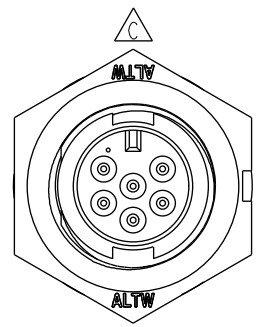
Recommended Panel Cut-Out



6 Pin Male Conn Male Pin PCB Layout



Pin Assignments Front View



- Note: \triangle
- * CC Important Dimension
 - * Waterproof Rate: IP67, Unmated
 - * Housing: Thermoplastic, Black
 - * Pin: Copper Alloy, Gold Plated
 - * Nut: Thermoplastic, Black
 - * Gasket: Rubber, Black
 - \triangle * Use with waterproof cap or dust cap For Panel Thickness max: 2.5mm
 - \triangle * Use without waterproof cap or dust cap For Panel Thickness max: 3.5mm
 - * Gasket and Nut are packed separately in PE bags.

UNIT:mm	
TOLERANCE	
.X	±0.25
.XX	±0.1
.XXX	±0.05
ANGLES	±1°

TITLE Mini Panel Lock 6Pin M Conn. M Pin			
SCALE 2:1	SIZE A4	SHEET 1 OF 1	
REV. D	WC-REV. A.6	CC : Inspection item	

Amphenol LTW
安費諾亮泰企業股份有限公司

ITEM NO. AU-06PMMP-LC7001	DRAWN BY Ruru	DATE 2019-02-19
DWG NO. AU-06PMMP-LC7001	CHECKED BY Rita	DATE 2019-02-19
CUSTOMER ALTW	APPROVED BY Max	DATE 2019-02-19