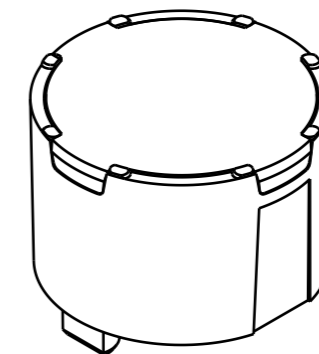
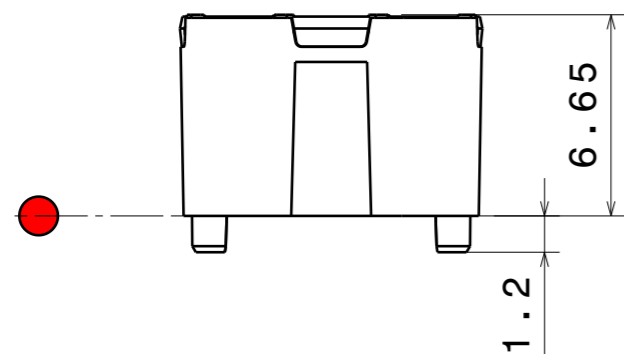


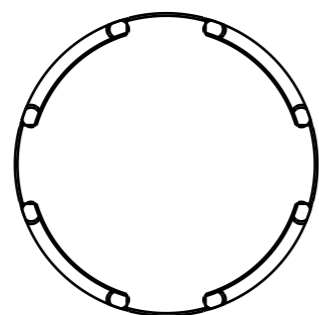
Bottom view



Isometric view  
Scale: 4:1



Front view



Top view

FP16561\_LISA3-WW-PIN

**COMPONENTS**

INDEX	PART	TYPE	MATERIAL	COLOR / COATING
1	F16554_LISA3-WW		PMMA	
2	F16557_LISA3-HLD-PIN		PC	black

<b>MECHANICAL DRAWING</b>		<b>LEDiL</b> <sup>®</sup>
PRODUCT	<b>LISA3</b>	
Plastic moulding general tolerances according to DIN 16901-130 and applies if not otherwise shown in the drawing. Silicone moulding general tolerances according to ISO 3302-1 Class M3 and applies if not otherwise shown in the drawing.	FIRST ANGLE PROJECTION: 	This drawing is the property of LEDiL Oy. It may not be copied or otherwise distributed without prior written permission from LEDiL Oy.
SCALE 4:1	WEIGHT -	A3 SHEET 1/1

**Notes**

	PCB or heatsink level.
	LED location
	Ensure LED fitting from a product specific 3D model available from <a href="http://www.ledil.com">www.ledil.com</a>
	For more details about installation please see LEDiL Installation Guide on <a href="http://www.ledil.com">www.ledil.com</a>