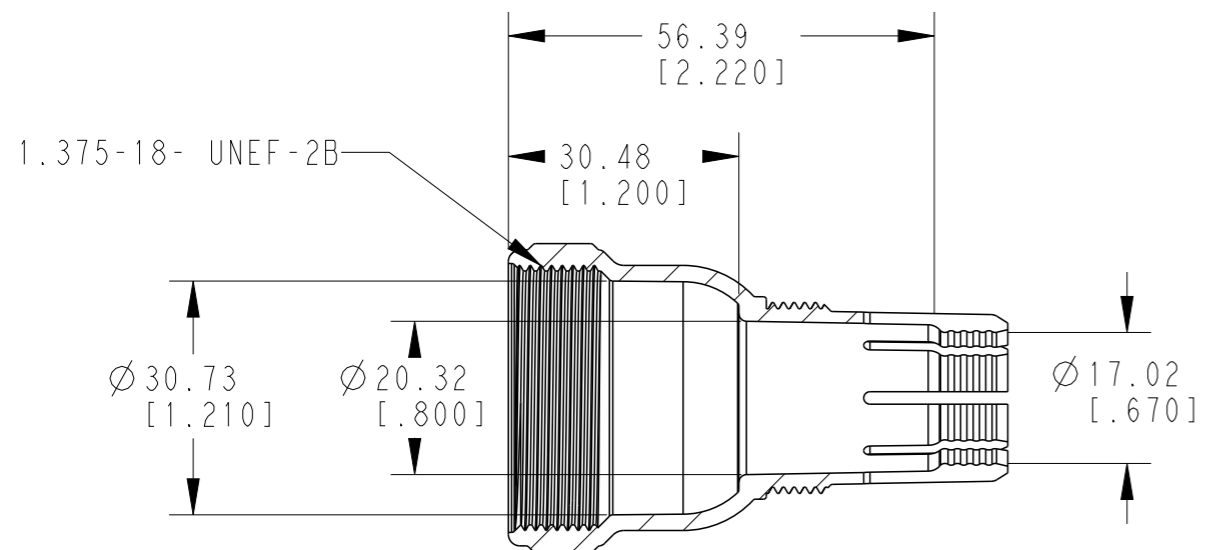
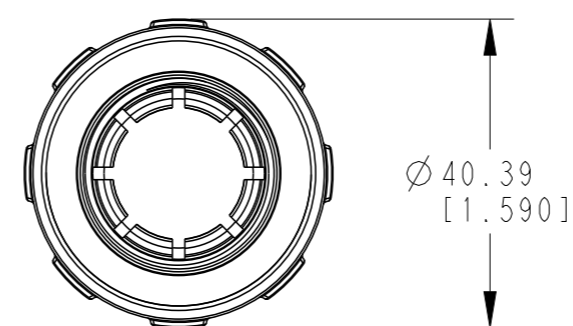
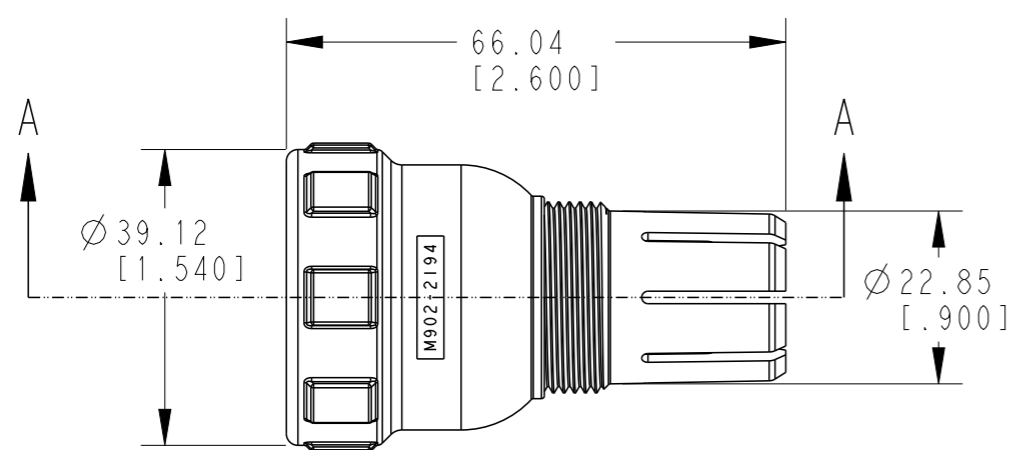
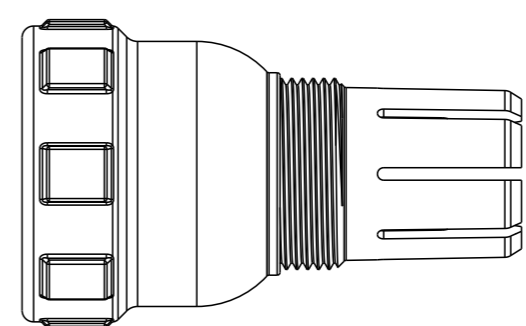


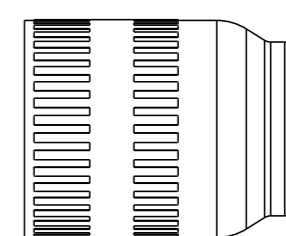
P	LTR	DESCRIPTION	DATE	DWN	APVD
	A	NEW RELEASE PER ECO-14-013595	09-05-14	DM	DM
	A1	REVISED PER PCN-22-157204	31OCT2022	CO	IG



SECTION A-A



BACKSHELL



COMPRESSION NUT

- NOTES:
- THIS PART IS USED ON
HD1X-9-96X PLUG/RECEPTACLES
HD1X-9-1939X PLUG/ RECEPTACLES
SEE INDIVIDUAL CUSTOMER DRAWING
 - THIS PART IS USED WITH:
COMPRESSION NUT, M902-2054
 - TEMPERATURE RATING: -40°C TO +134°C [-40°F TO +273°F]
 - CABLE SIZE: \varnothing .570 - \varnothing .710
 - CABLE STRIPPED LENGTH: 63.50 [2.500] MAX.
 - PART NO. M902-2194.

THIS DRAWING IS A CONTROLLED DOCUMENT.		DWN D. MEYER 05SEP2014		
DIMENSIONS: MM [INCH]		CHK I. GRANTCHAROVA 05SEP2014		
TOLERANCES UNLESS OTHERWISE SPECIFIED:		APVD D. MEYER 05SEP2014	NAME BACKSHELL, SIZE 9 CABLE SIZE: .570 - .710 HD10 SERIES	
		PRODUCT SPEC -	RESTRICTED TO -	
MATERIAL PC/PBT		FINISH BLACK	APPLICATION SPEC -	SIZE A3
		WEIGHT 18.64 g	CAGE CODE 4AFU8	DRAWING NO M902-2194
		CUSTOMER DRAWING	SCALE NONE	SHEET 1 OF 1
				REV A1