

# NHD-3.5-320240MF-ASXN#-CTP

## TFT (Thin-Film-Transistor) Color Liquid Crystal Display Module

NHD-	Newhaven Display
3.5-	3.5" Diagonal
320240-	320xRGBx240 Pixels
MF-	Model
A-	Built-in Driver / No Controller
S-	Sunlight Readable
X-	TFT
N-	TN, Wide Temperature
#-	<b>RoHS Compliant</b>
CTP-	Capacitive Touch Panel with Controller

**Newhaven Display International, Inc.**

2661 Galvin Ct.

Elgin IL, 60124

Ph: 847-844-8795

Fax: 847-844-8796

[www.newhavendisplay.com](http://www.newhavendisplay.com)

[nhtech@newhavendisplay.com](mailto:nhtech@newhavendisplay.com)

[nhsales@newhavendisplay.com](mailto:nhsales@newhavendisplay.com)

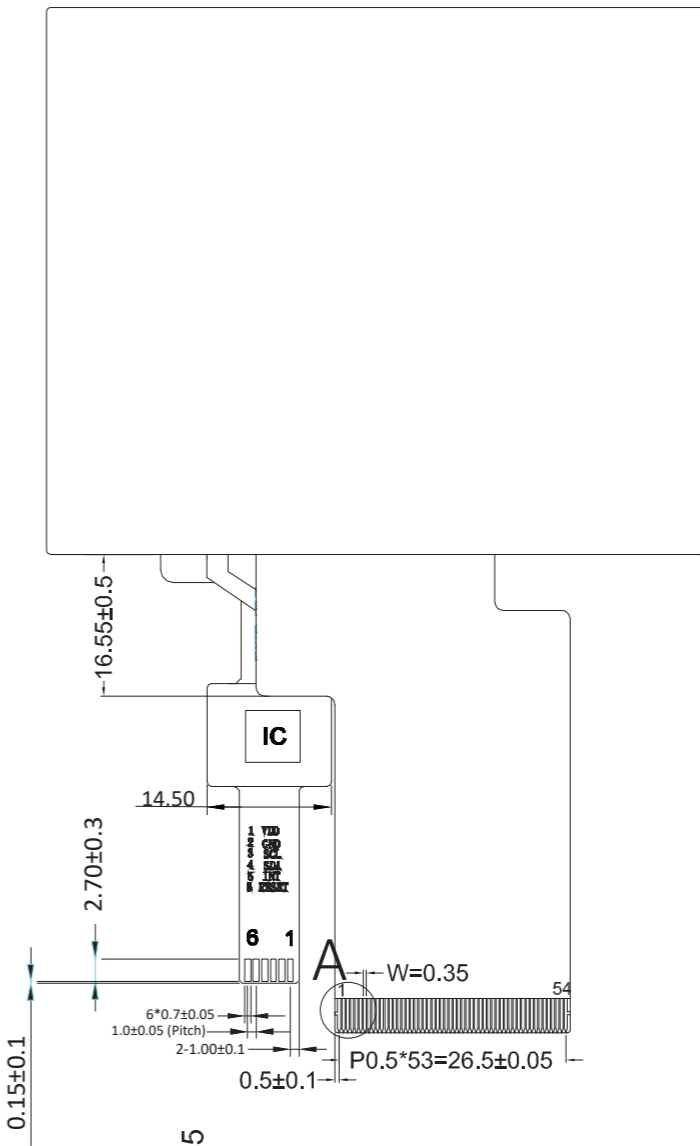
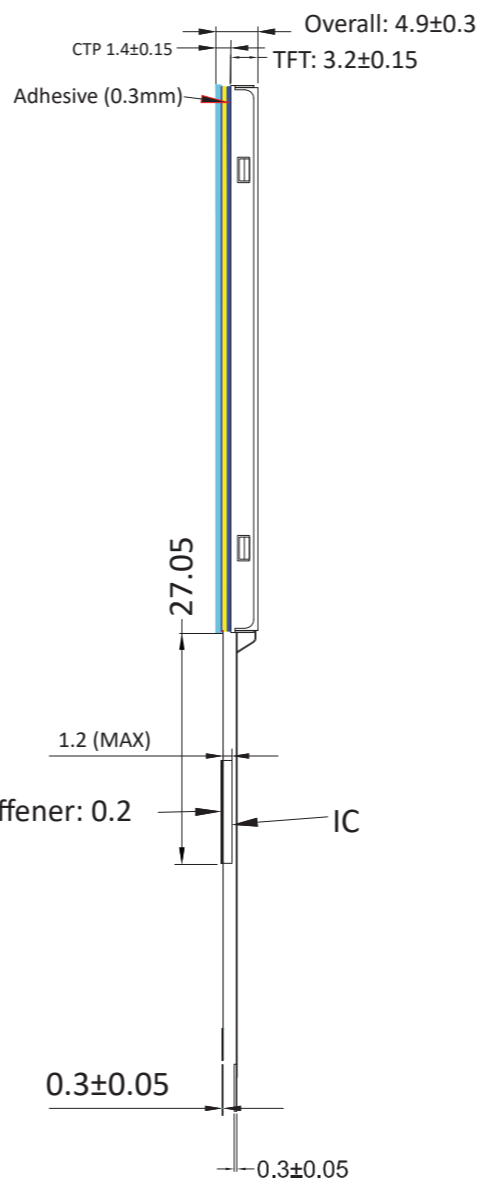
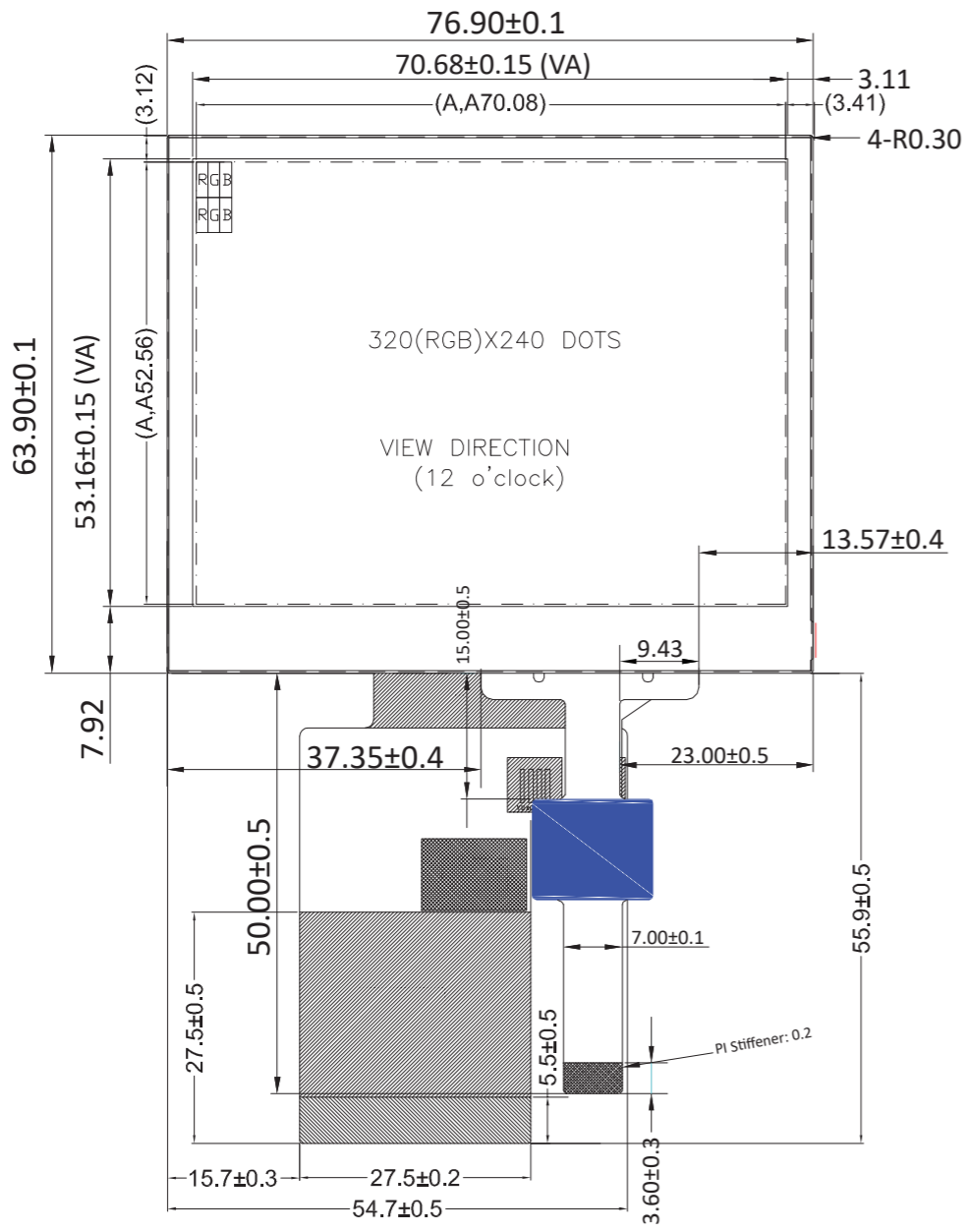
## Document Revision History

Revision	Date	Description	Changed by
0	4/29/16	Initial Release	SB
1	6/30/16	Added Chromaticity	SB
2	9/22/16	Backlight and Supply Current Updated	SB
3	7/20/18	CTP Adhesive Tape Thickness Increased from 0.18 to 0.3 mm, Backlight Characteristics updated.	SB
4	3/14/19	CTP Driver & Panel Updated	SB
5	5/2/19	CTP Timing Note Added	SB

## Functions and Features

- 320xRGBx240 resolution
- LED backlight
- 3.3V power supply
- 24-bit Parallel digital RGB interface (6.4MHz)
- Sunlight readable
- Capacitive touch panel with controller
  - 10-Point multi-touch input
  - Gesture input
    - Zoom In/Out
    - Swipe Up/Down/Left/Right

SYMBOL	REVISION	DATE



### TFT

Pin No.	Symbol
1	LED_K
2	LED_K
3	LED_A
4	LED_A
5	NC
6	NC
7	NC
8	RSTB
9	SPENB
10	SPCK
11	SPDA
12-19	B0-B7
20-27	G0-G7
28-35	R0-R7
36	HSD
37	VSD
38	CLKIN
39	NC
40	NC
41	VDD
42	VDD
43	NC
44	NC
45	NC
46	NC
47	NC
48	NC
49	NC
50	NC
51	NC
52	DEN
53	GND
54	GND

### CTP

Pin No.	Symbol
1	VDD
2	GND
3	SCL
4	SDA
5	INT
6	RESET

### NOTES:

1. Display Size: 3.5 TFT
2. Optimal Viewing Direction: 12 O'CLOCK
3. Display Mode: Transmissive / Normally White / Anti-Glare
4. Driver IC: NV3035C
5. Power Supply Voltage: 3.3V
6. Backlight: White LED/ 19.2 V (Typ)/ 40mA
7. Brightness: 830 cd/m<sup>2</sup> (Typ)
8. Touch Panel: Capacitive Touch

STANDARD TOLERANCE: (UNLESS OTHERWISE SPECIFIED)

LINEAR: ±0.3mm

UNLESS OTHERWISE SPECIFIED: - DIMENSIONS ARE IN MILLIMETERS - THIRD ANGLE PROJECTION

DO NOT SCALE DRAWING

THIS DRAWING IS SOLELY THE PROPERTY OF NEWHAVEN DISPLAY INTERNATIONAL, INC. THE INFORMATION IT CONTAINS IS NOT TO BE DISCLOSED, REPRODUCED OR COPIED IN WHOLE OR PART WITHOUT WRITTEN APPROVAL FROM NEWHAVEN DISPLAY.

**NEWHAVEN DISPLAY INTERNATIONAL**

DRAWING/PART NUMBER: NHD-3.5-320240MF-ASXN#-CTP

REVISION: 1.0

SIZE: A3

SCALE: NS

SHEET 1 OF 1

DRAWN BY: S. Baxi

APPROVED BY: S. Baxi

DRAWN DATE: 03/14/19

APPROVED DATE: 03/14/19

## Pin Description

### TFT:

Pin No.	Symbol	External Connection	Function Description
1-2	LED_K	Power Supply	Backlight Cathode (Ground)
3-4	LED_A	Power Supply	Backlight Anode (40mA @ 19.2V)
5-7	NC	-	No Connect
8	RSTB	MPU	Active LOW Reset signal
9	SPENB	MPU	Active LOW Serial Chip Select signal
10	SPCK	MPU	Serial Clock signal
11	SPDA	MPU	Serial Data signal
12-19	B0-B7	MPU	Blue Data signals
20-27	G0-G7	MPU	Green Data signals
28-35	R0-R7	MPU	Red Data signals
36	HSD	MPU	Horizontal (Line) Sync signal
37	VSD	MPU	Vertical (Frame) Sync signal
38	CLKIN	MPU	Dot Clock signal
39-40	NC	-	No Connect
41-42	V <sub>DD</sub>	Power Supply	Supply Voltage for LCD and logic (3.3V)
43-51	NC	-	No Connect
52	DEN	-	Data Enable signal (No Connect)
53-54	GND	Power Supply	Ground

**Recommended connector:** 54pin, 0.5mm pitch, FFC connector. Molex P/N 51296-5494

### Capacitive Touch Panel:

Pin No.	Symbol	External Connection	Function Description
1	V <sub>DD</sub>	Power Supply	Supply voltage for Logic (3.3V)
2	V <sub>SS</sub>	Power Supply	Ground
3	SCL	MPU	Serial I2C Clock (Requires pull-up resistor)
4	SDA	MPU	Serial I2C Data (Requires pull-up resistor)
5	/INT	MPU	Interrupt signal from touch panel module to host
6	/RESET	MPU	Active LOW Reset signal (Do not tie to V <sub>CC</sub> )

**Recommended connector:** 6pin, 1.0mm pitch, FFC connector. Molex P/N 52271-0679

# Electrical Characteristics

## TFT:

Item	Symbol	Condition	Min.	Typ.	Max.	Unit
Operating Temperature Range	T <sub>OP</sub>	Absolute Max	-20	-	+70	°C
Storage Temperature Range	T <sub>ST</sub>	Absolute Max	-30	-	+80	°C
Supply Voltage	V <sub>DD</sub>	-	3.0	3.3	3.6	V
Supply Current	I <sub>DD</sub>	V <sub>DD</sub> =3.3V	5	10	15	mA
"H" Level input	V <sub>IH</sub>	-	0.8 * V <sub>DD</sub>	-	V <sub>DD</sub>	V
"L" Level input	V <sub>IL</sub>	-	V <sub>SS</sub>	-	0.2 * V <sub>DD</sub>	V
"H" Level output	V <sub>OH</sub>	-	V <sub>DD</sub> - 0.4	-	V <sub>DD</sub>	V
"L" Level output	V <sub>OL</sub>	-	V <sub>SS</sub>	-	V <sub>SS</sub> + 0.4	V
Backlight Supply Current	I <sub>LED</sub>	-	-	40	50	mA
Backlight Supply Voltage	V <sub>LED</sub>	I <sub>LED</sub> = 40 mA	17.4	19.2	19.8	V
Backlight Lifetime*	-	I <sub>LED</sub> = 40 mA T <sub>OP</sub> = 25° C	20,000	50,000	-	Hrs.

\*Backlight lifetime is rated as Hours until **half-brightness**, under normal operating conditions. The LED of the backlight is driven by current drain; drive voltage is for reference only. Drive voltage must be selected to ensure backlight current drain is below MAX level stated.

## Capacitive Touch Panel:

Item	Symbol	Condition	Min.	Typ.	Max.	Unit
Operating Temperature Range	T <sub>OP</sub>	Absolute Max	-20	-	+70	°C
Storage Temperature Range	T <sub>ST</sub>	Absolute Max	-30	-	+80	°C
Supply Voltage	V <sub>DD</sub>	-	2.8	3.3	3.6	V
Supply Current – Operating	I <sub>DD</sub>	V <sub>DD</sub> =3.3V	-	6.0	-	mA
Supply Current – Hibernate	I <sub>DD</sub>	V <sub>DD</sub> =3.3V	-	1.0	-	µA
"H" Level input	V <sub>IH</sub>	-	0.7*V <sub>DD</sub>	-	V <sub>DD</sub>	V
"L" Level input	V <sub>IL</sub>	-	V <sub>SS</sub>	-	0.3*V <sub>DD</sub>	V
"H" Level output	V <sub>OH</sub>	-	0.7*V <sub>DD</sub>	-	V <sub>DD</sub>	V
"L" Level output	V <sub>OL</sub>	-	V <sub>SS</sub>	-	0.3*V <sub>DD</sub>	V

## Optical Characteristics

Item	Symbol	Condition	Min.	Typ.	Max.	Unit	
Optimal Viewing Angles	Top	CR ≥ 10	-	60	-	°	
	Bottom		-	40	-	°	
	Left		-	60	-	°	
	Right		-	60	-	°	
Contrast Ratio	CR	-	200	350	-	-	
Luminance	L <sub>V</sub>	I <sub>LED</sub> = 40 mA	660	830	-	cd/m <sup>2</sup>	
Response Time	Rise	T <sub>OP</sub> = 25°C	-	25	40	ms	
	Fall		-	25	40	ms	
Chromaticity	Red	X <sub>R</sub>	-	0.547	0.597	0.647	-
		Y <sub>R</sub>	-	0.283	0.333	0.383	-
	Green	X <sub>G</sub>	-	0.274	0.324	0.374	-
		Y <sub>G</sub>	-	0.574	0.624	0.674	-
	Blue	X <sub>B</sub>	-	0.096	0.146	0.196	-
		Y <sub>B</sub>	-	0.072	0.122	0.172	-
White	X <sub>W</sub>	-	0.247	0.297	0.347	-	
	Y <sub>W</sub>	-	0.315	0.365	0.415	-	

## Capacitive Touch Panel Material Characteristics:

Property	Requirement	Unit
IC	FT5426	-
ITO Glass thickness	0.55	mm
Surface Hardness	≥6	H
Light transmission	83% ± 5%	-
Operating Humidity	20~90	RH
Storage Humidity	20~90	RH

## Driver/Controller Information

### TFT:

Built-in NV3035C driver. No controller.

Please download specification at [http://www.newhavendisplay.com/app\\_notes/NV3035C.pdf](http://www.newhavendisplay.com/app_notes/NV3035C.pdf)

Note: To achieve optimum VCOM and VGL settings, the SPI interface may be used to set the following registers:

ROEh = 6Bh

ROFh = 24h

### Capacitive Touch Panel:

Built-in FocalTech FT5426 controller.

Please download specification at <http://www.newhavendisplay.com/appnotes/datasheets/touchpanel/FT5x26.pdf>

## CTP Touch Panel Registers

Register No.	Access	Register Name	Bits	Value	Description
01h	RO	Gesture ID	[7:0]	10	Swipe Up
				18h	Swipe Down
				1Ch	Swipe Left
				14h	Swipe Right
				48h	Zoom Out
				49h	Zoom In
				00	No gesture
02h	RO	Touch Points	[7:0]	0-Ah	0: No touch detected A: 10 touch points detected
03h	RO	TOUCH1_Event_Flag	[7:6]	0	Put Down
				1	Put Up
				2	Contact
				3	Reserved
03h	RO	TOUCH1_XH	[3:0]	0 -1	Upper 4 bits of X touch coordinate
04h	RO	TOUCH1_XL	[7:0]	00 - FFh	Lower 8 bits of X touch coordinate
05h	RO	TOUCH1_YH	[3:0]	0 -1	Upper 4 bits of Y touch coordinate
06h	RO	TOUCH1_YL	[7:0]	00 - FFh	Lower 8 bits of Y touch coordinate
07h	RO	TOUCH1_Weight	[7:0]		Touch Weight
08h	RO	TOUCH1_Misc	[3:0]	00-0Fh	Touch Area
09h	RO	TOUCH2_Event_Flag	[7:6]	0	Put Down
				1	Put Up
				2	Contact
				3	Reserved
09h	RO	TOUCH1_XH	[3:0]	0 -1	Upper 4 bits of X touch coordinate
0Ah	RO	TOUCH2_XL	[7:0]	00 - FFh	Lower 8 bits of X touch coordinate
0Bh	RO	TOUCH2_YH	[3:0]	0 -1	Upper 4 bits of Y touch coordinate
0Ch	RO	TOUCH2_YL	[7:0]	00 - FFh	Lower 8 bits of Y touch coordinate
0Dh	RO	TOUCH2_Weight	[7:0]		Touch Weight
0Eh	RO	TOUCH2_Misc	[3:0]	00-0Fh	Touch Area
0Fh	RO	TOUCH3_Event_Flag	[7:6]	0	Put Down
				1	Put Up
				2	Contact
				3	Reserved
0Fh	RO	TOUCH3_XH	[3:0]	0 -1	Upper 4 bits of X touch coordinate
10	RO	TOUCH3_XL	[7:0]	00 - FFh	Lower 8 bits of X touch coordinate
11h	RO	TOUCH3_YH	[3:0]	0 -1	Upper 4 bits of Y touch coordinate
12h	RO	TOUCH3_YL	[7:0]	00 - FFh	Lower 8 bits of Y touch coordinate
13h	RO	TOUCH3_Weight	[7:0]		Touch Weight
14h	RO	TOUCH3_Misc	[3:0]	00-0Fh	Touch Area
15h	RO	TOUCH4_Event_Flag	[7:6]	0	Put Down
				1	Put Up
				2	Contact
				3	Reserved
15h	RO	TOUCH4_XH	[3:0]	0 -1	Upper 4 bits of X touch coordinate
16h	RO	TOUCH4_XL	[7:0]	00 - FFh	Lower 8 bits of X touch coordinate
17h	RO	TOUCH4_YH	[3:0]	0 -1	Upper 4 bits of Y touch coordinate
18h	RO	TOUCH4_YL	[7:0]	00 - FFh	Lower 8 bits of Y touch coordinate
1Ah	RO	TOUCH4_Misc	[3:0]	00-0Fh	Touch Area
1Bh	RO	TOUCH5_Event_Flag	[7:6]	0	Put Down
				1	Put Up
				2	Contact
				3	Reserved

Register No.	Access	Register Name	Bits	Value	Description
1Bh	RO	TOUCH5_XH	[3:0]	0 -1	Upper 4 bits of X touch coordinate
1Ch	RO	TOUCH5_XL	[7:0]	00 - FFh	Lower 8 bits of X touch coordinate
1Dh	RO	TOUCH5_YH	[3:0]	0 -1	Upper 4 bits of Y touch coordinate
1Eh	RO	TOUCH5_YL	[7:0]	00 - FFh	Lower 8 bits of Y touch coordinate
1Fh	RO	TOUCH5_Weight	[7:0]		Touch Weight
20	RO	TOUCH5_Misc	[3:0]	00-0Fh	Touch Area
21h	RO	TOUCH6_Event_Flag	[7:6]	0	Put Down
				1	Put Up
				2	Contact
				3	Reserved
21h	RO	TOUCH6_XH	[3:0]	0 -1	Upper 4 bits of X touch coordinate
22h	RO	TOUCH6_XL	[7:0]	00 - FFh	Lower 8 bits of X touch coordinate
23h	RO	TOUCH6_YH	[3:0]	0 -1	Upper 4 bits of Y touch coordinate
24h	RO	TOUCH6_YL	[7:0]	00 - FFh	Lower 8 bits of Y touch coordinate
25h	RO	TOUCH6_Weight	[7:0]		Touch Weight
26h	RO	TOUCH6_Misc	[3:0]	00-0Fh	Touch Area
27h	RO	TOUCH7_Event_Flag	[7:6]	0	Put Down
				1	Put Up
				2	Contact
				3	Reserved
27h	RO	TOUCH7_XH	[3:0]	0 -1	Upper 4 bits of X touch coordinate
28h	RO	TOUCH7_XL	[7:0]	00 - FFh	Lower 8 bits of X touch coordinate
29h	RO	TOUCH7_YH	[3:0]	0 - 1	Upper 4 bits of Y touch coordinate
2Ah	RO	TOUCH7_YL	[7:0]	00 - FFh	Lower 8 bits of Y touch coordinate
2Bh	RO	TOUCH7_Weight	[7:0]		Touch Weight
2Ch	RO	TOUCH7_Misc	[3:0]	00-0Fh	Touch Area
2Dh	RO	TOUCH8_Event_Flag	[7:6]	0	Put Down
				1	Put Up
				2	Contact
				3	Reserved
2Dh	RO	TOUCH8_XH	[3:0]	0 - 1	Upper 4 bits of X touch coordinate
2Eh	RO	TOUCH8_XL	[7:0]	00 - FFh	Lower 8 bits of X touch coordinate
2Fh	RO	TOUCH8_YH	[3:0]	0 - 1	Upper 4 bits of Y touch coordinate
30	RO	TOUCH8_YL	[7:0]	00 - FFh	Lower 8 bits of Y touch coordinate
31h	RO	TOUCH8_Weight	[7:0]		Touch Weight
32h	RO	TOUCH8_Misc	[3:0]	00-0Fh	Touch Area
33h	RO	TOUCH9_Event_Flag	[7:6]	0	Put Down
				1	Put Up
				2	Contact
				3	Reserved
33h	RO	TOUCH9_XH	[3:0]	0 - 1	Upper 4 bits of X touch coordinate
34h	RO	TOUCH9_XL	[7:0]	00 - FFh	Lower 8 bits of X touch coordinate
35h	RO	TOUCH9_YH	[3:0]	0 - 1	Upper 4 bits of Y touch coordinate
36h	RO	TOUCH9_YL	[7:0]	00 - FFh	Lower 8 bits of Y touch coordinate
37h	RO	TOUCH9_Weight	[7:0]		Touch Weight
38h	RO	TOUCH9_Misc	[3:0]	00 - 0Fh	Touch Area
39h	RO	TOUCH10_Event_Flag	[7:6]	0	Put Down
				1	Put Up
				2	Contact
				3	Reserved
39h	RO	TOUCH10_XH	[3:0]	0 - 1	Upper 4 bits of X touch coordinate
3Ah	RO	TOUCH10_XL	[7:0]	00 - FFh	Lower 8 bits of X touch coordinate
3Bh	RO	TOUCH10_YH	[3:0]	0 - 1	Upper 4 bits of Y touch coordinate
3Ch	RO	TOUCH10_YL	[7:0]	00 - FFh	Lower 8 bits of Y touch coordinate



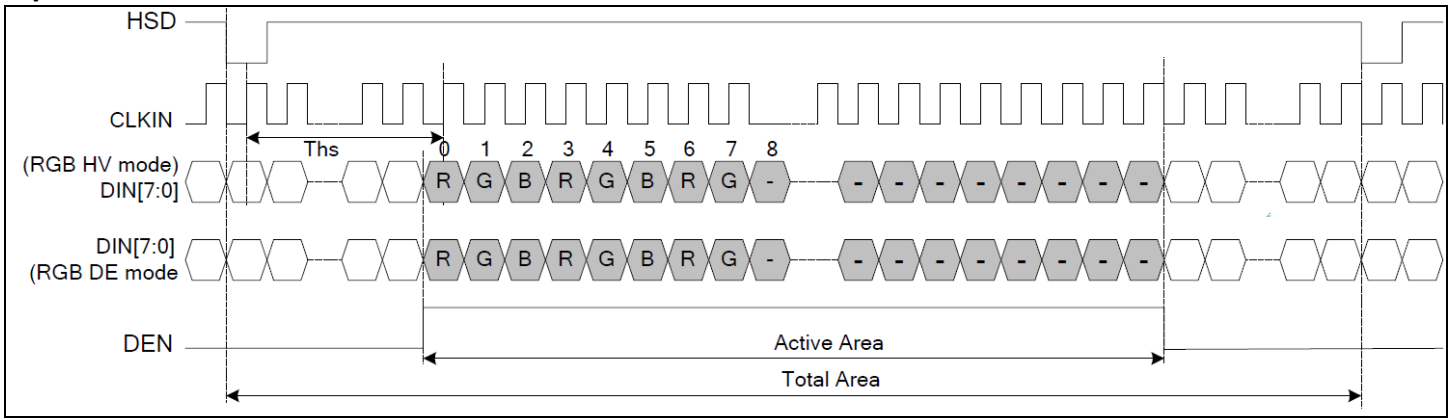
Register No.	Access	Register Name	Bits	Value	Description
3Dh	RO	TOUCH10_Weight	[7:0]	00-FFh	Touch Weight
3Eh	RO	TOUCH10_Misc	[3:0]	00-0Fh	Touch Area
80h	RW	ID_G_MC_THGROUP	[7:0]	00-FFh	Mutual-Capacitive touch Threshold / 4 Default: 4Bh
81h	RW	ID_G_MC_THPEAK	[7:0]	00-FFh	Mutual-Capacitive Peak Threshold / 4 Default: 46h
85h	RW	ID_G_THDIFF	[7:0]	00-FFh	Points Filtering Range Threshold / 16 Default: A0
86h	RW	ID_G_CTRL	[1:0]	0-1	Allowed to switch to monitor mode or not (1: Allowed, 0: Not Allowed)
88h	RW	ID_G_PERIODACTIVE	[3:0]	3h-Eh	Period of Active Status
89h	RW	ID_G_PERIODMONITOR	[7:0]	1Eh-FFh	Timer to enter "idle" while in Monitor (ms)
A1h	RO	ID_G_LIB_VERSION_H	[7:0]	00-FFh	App library version high-byte Default: 0
A2h	RO	ID_G_LIB_VERSION_L	[7:0]	00-FFh	App library version low-byte Default: 2h
A3h	RO	ID_G_CHIPER_HIGH	[7:0]	00-FFh	Chip Vendor ID Default: 54h
A4h	RW	ID_G_MODE	[0]	0 1	INT Trigger Mode INT Polling Mode
A5h	RW	ID_G_PMODE	[1:0]	0 1 3	Active Monitor Sleep
A6h	RO	ID_G_FIRMID	[7:0]	00-FFh	Firmware ID Number Default: 2
A8h	RO	ID_G_VENODRID	[7:0]	00-FFh	CTPM Vendor's Chip ID Default: 79h
C0h	RW	ID_G_GLOVE_MODE_EN	[0]	0 1	Glove Mode Switch Disable Glove Mode Switch Enable
C1h	RW	ID_G_COVER_MODE_EN	[0]	0 1	Cover Mode Switch Disable Cover Mode Switch Enable

## Timing Characteristics – TFT Display

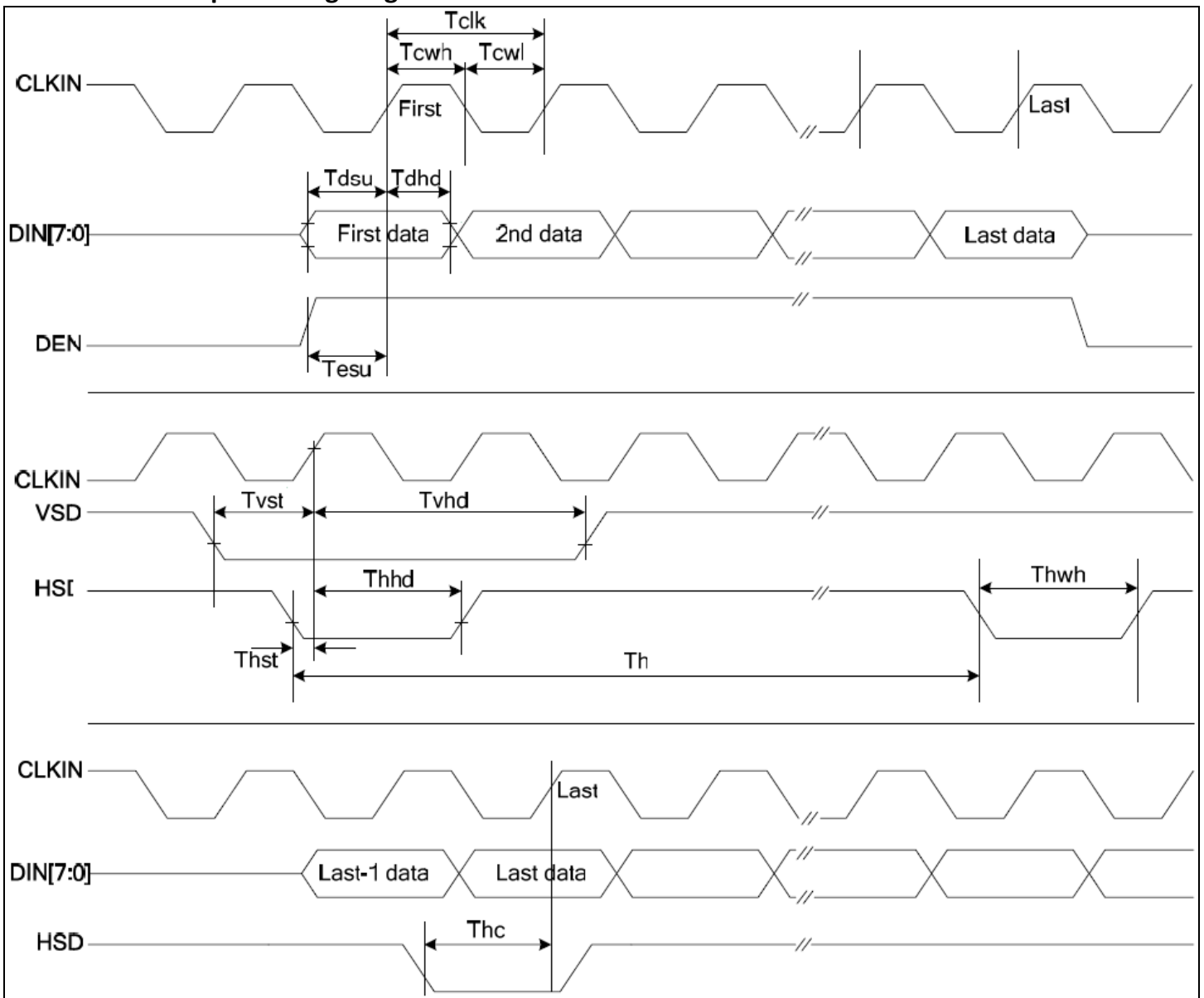
Parameter	Symbol	Min.	Typ.	Max.	Unit	Conditions
<b>System Operation Timing</b>						
VDD power source slew time	T <sub>POR</sub>			1000	us	From 0V to 90% VDD
RSTB active pulse width	T <sub>RSTB</sub>	40			us	VDD=3.3V
<b>Input Output Timing</b>						
CLKIN clock time	Tclk	-		35.7	ns	Please refer to timing table(P25)
HSD to CLKIN	T <sub>hc</sub>	-	-	1	CLKIN	
HSD width	T <sub>hwh</sub>	1	-	-	CLKIN	
VSD width	T <sub>vwh</sub>	1	-	-	Th	
HSD period time	T <sub>h</sub>	60	63.56	67	us	
VSD setup time	T <sub>vst</sub>	12	-	-	ns	
VSD hold time	T <sub>vhd</sub>	12	-	-	ns	
HSD setup time	T <sub>hst</sub>	12	-	-	ns	
HSD hold time	T <sub>hhd</sub>	12	-	-	ns	
Data set-up time	T <sub>dsu</sub>	12	-	-	ns	DIN[23:0] to CLKIN
Data hold time	T <sub>dhd</sub>	12	-	-	ns	DIN[23:0] to CLKIN
DEN setup time	T <sub>esd</sub>	12	-		ns	DEN to CLKIN
Time that VSD to 1 <sup>st</sup> line data input	T <sub>vs</sub>	2	13	127	Th	@CIR601/8bit RGB HV mode Control by HDLY[6:0] setting T <sub>vs</sub> =HDLY[6:0]
Time that CCIR_V to 1 <sup>st</sup> line data input	T <sub>vs</sub>	12	20	28	Th	@CCIR656 NTSC mode Control by HDLY[6:0] setting T <sub>vs</sub> =HDLY[6:0]
Time that CCIR_V to 1 <sup>st</sup> line data input	T <sub>vs</sub>	17	25	33	Th	@CCIR656 PAL mode Control by HDLY[6:0] setting T <sub>vs</sub> =HDLY[6:0]
Time that VSD to 1 <sup>st</sup> line data input	T <sub>vs</sub>	2	13	127	Th	@24bit RGB HV mode Control by HDLY[6:0] setting T <sub>vs</sub> =HDLY[6:0]
Source output stable time 1	T <sub>st</sub>	-	25	30	us	96% final, CL=30pF, RL=2K
Gate output stable time	T <sub>gst</sub>	-	500	1000	ns	96% final, CL=40pF
VCOMOUT output stable time	T <sub>est</sub>	-	4	8	us	96% final, CL=33nF, RL=100ohm
<b>3-wire serial communication AC timing</b>						
Serial clock	T <sub>spck</sub>	320	-	-	ns	
SPCK pulse duty	T <sub>scdut</sub>	40	50	60	%	T <sub>ckh</sub> /T <sub>spck</sub>
Serial data setup time	T <sub>isu</sub>	120	-	-	ns	
Serial data hold time	T <sub>ihd</sub>	120	-	-	ns	
Serial clock high/low	T <sub>ssw</sub>	120	-	-	ns	
Chip select distinguish	T <sub>cd</sub>	1	-	-	us	
SPENA to VSD	T <sub>ev</sub>	1	-	-	us	
SPENB input setup time	T <sub>eck</sub>	150	-	-	Ns	
SPENB input hold time	T <sub>cke</sub>	150	-	-	ns	

Parameter	Symbol	Min.	Typ.	Max.	Unit	Conditions
CLKIN frequency	Fclk	6.1	6.4	8.0	MHz	VDD=3.0~3.6V
CLKIN cycle time	Tclk	125	156	164	ns	
CLKIN pulse duty	T <sub>cwh</sub>	40	50	60	%	Tclk
Time that HSD to 1 <sup>st</sup> data input(NTSC)	T <sub>hs</sub>	40	70	255	CLKIN	DDLY=70,Offset=0(fixed)

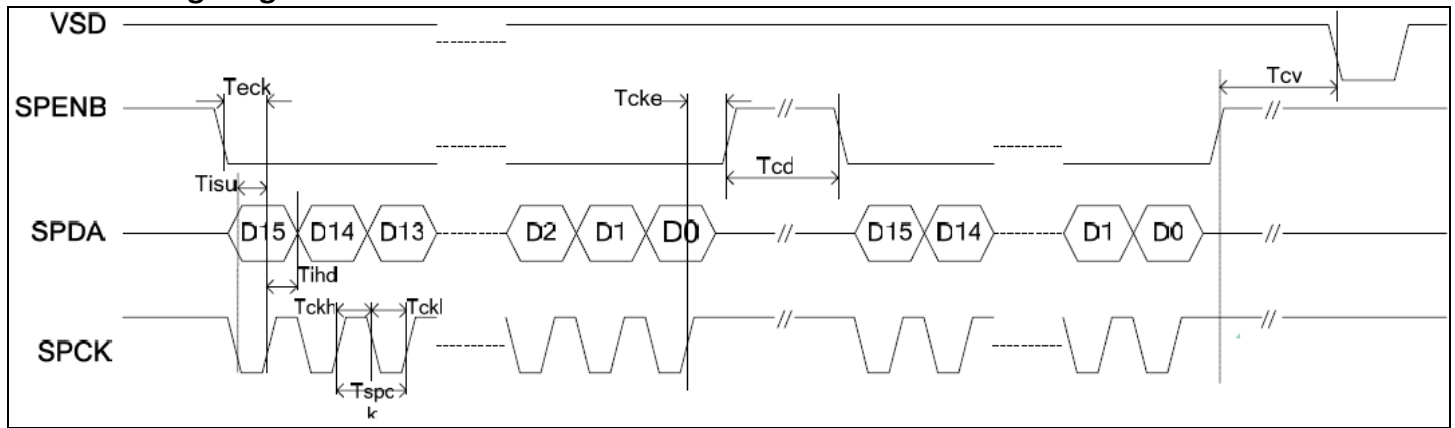
## Input Data Format



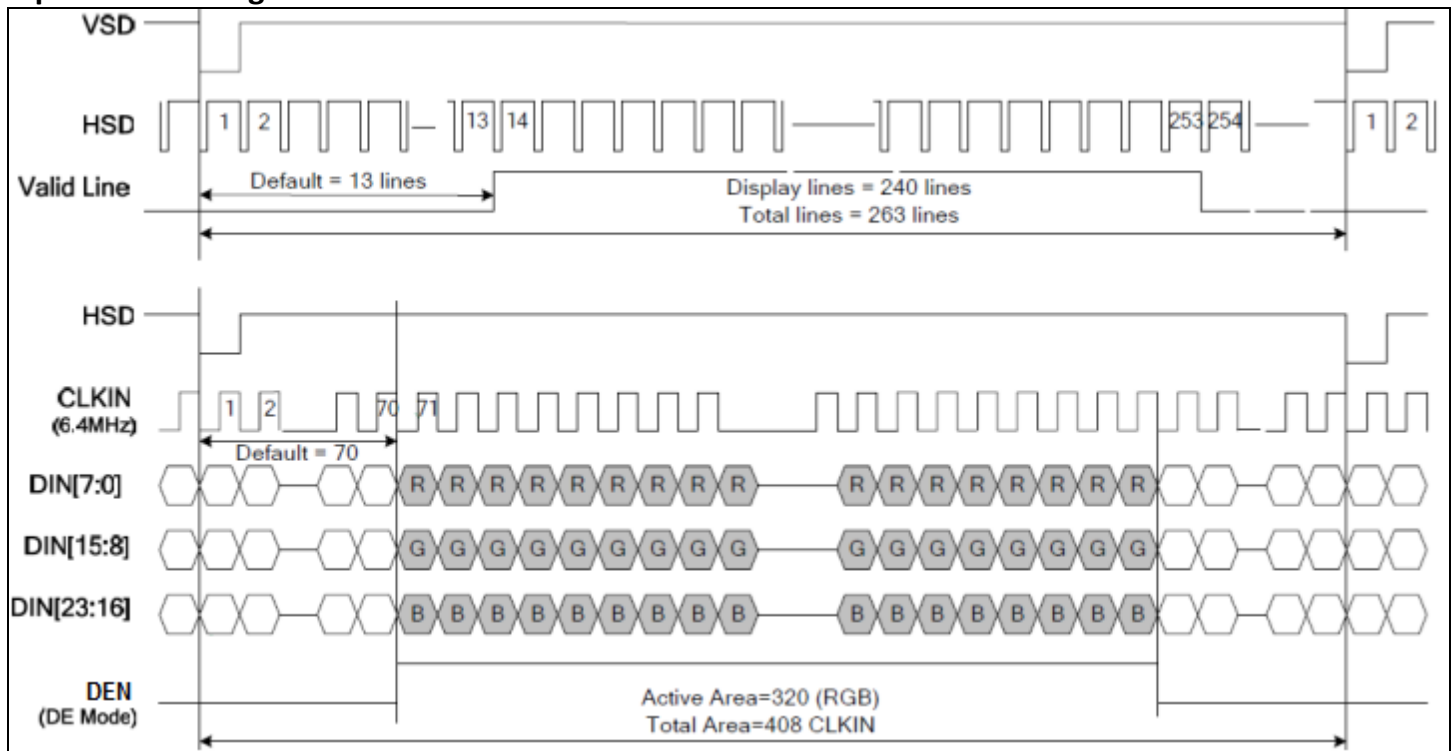
## Clock and Data Input Timing Diagram



### 3-wire Timing Diagram

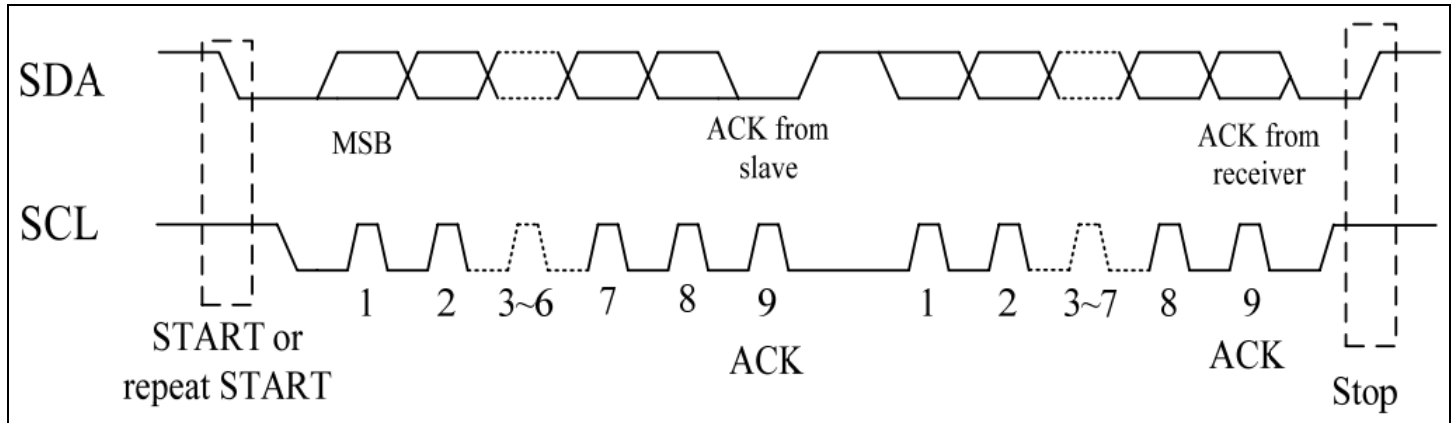


### Input Data Timing

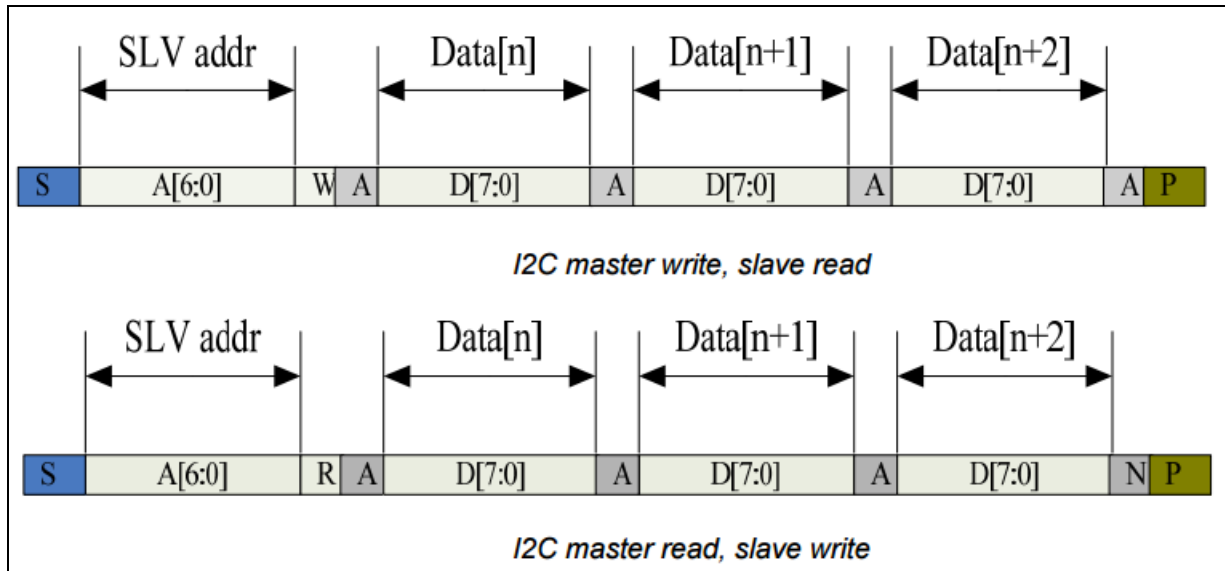


# Timing Characteristics – Capacitive Touch Panel

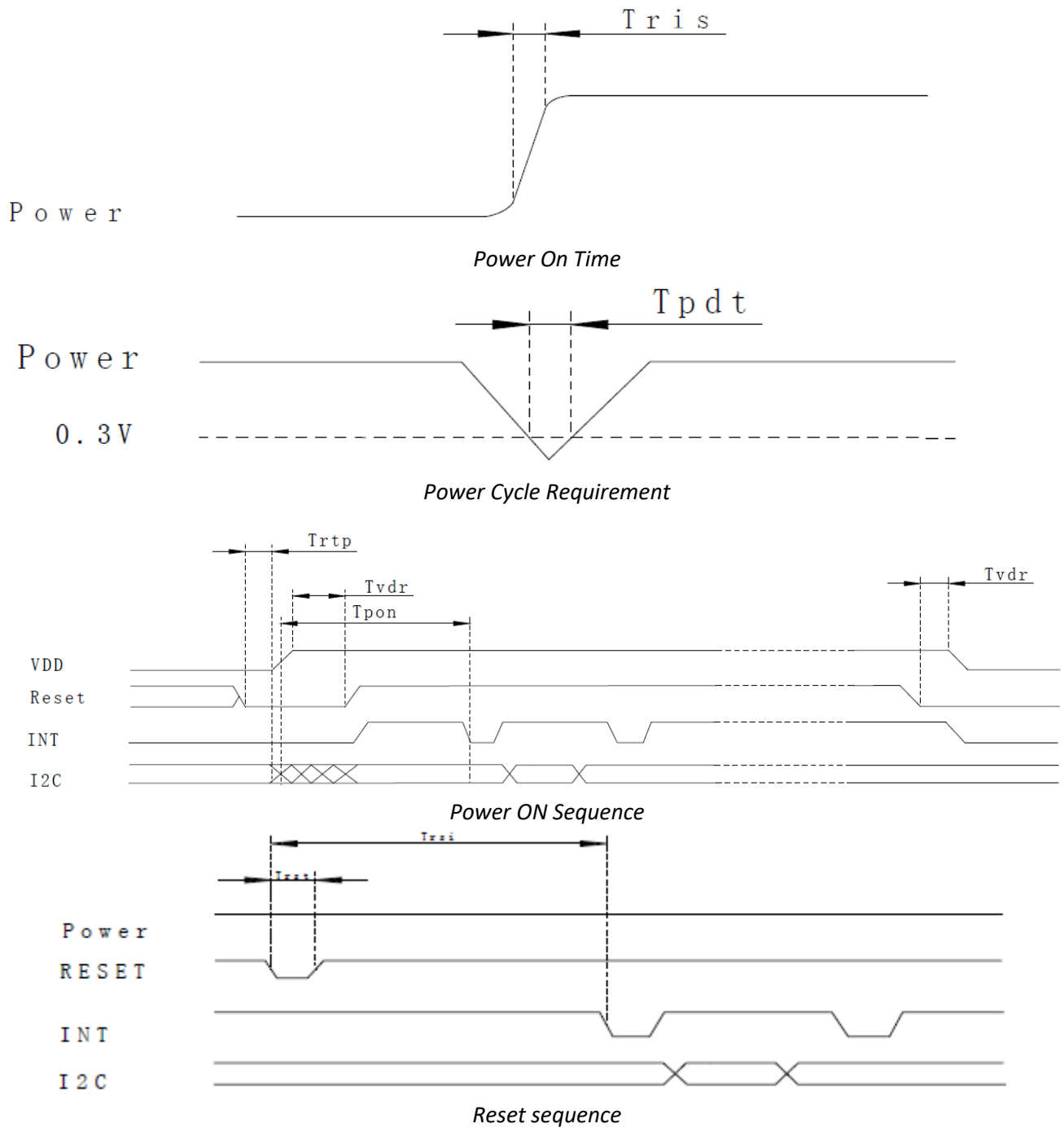
## Data Transfer Format



Parameter	Min	Max	Unit
SCL Frequency	0	400	KHz
Bus free time between a STOP & START condition	1.3	-	μs
Hold time Repeated START condition	0.6	-	μs
Data Setup Time	100	-	ns
Setup time for a repeated START condition	0.6	-	μs
Setup time for a STOP condition	0.6	-	μs

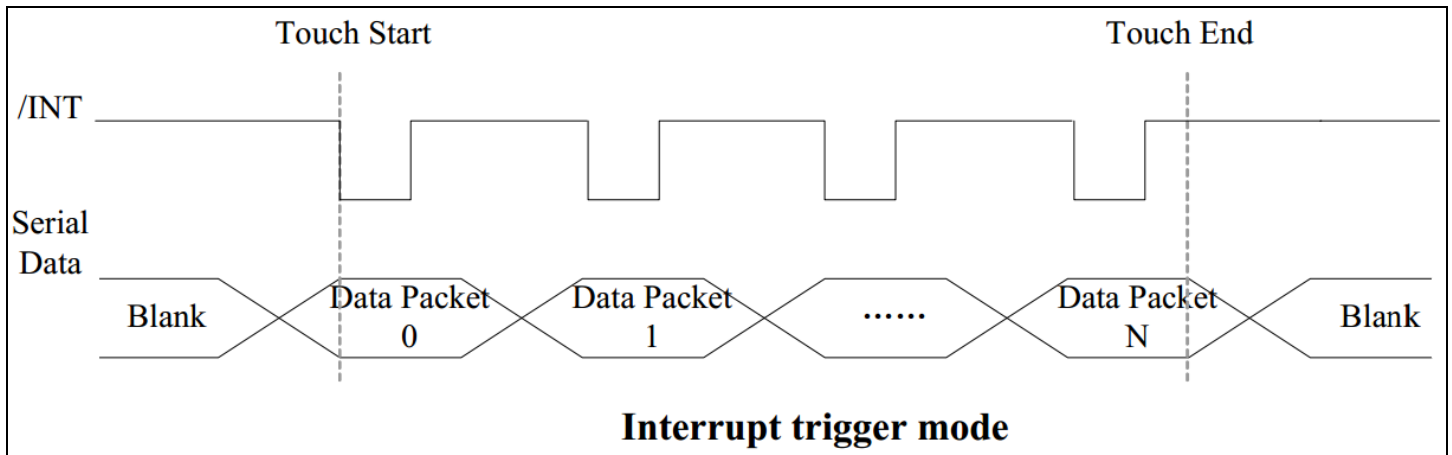


## Power ON/Reset Sequence



Parameter	Description	Min	Max	Unit
$T_{ris}$	Rise time from 0.1V <sub>DD</sub> to 0.9V <sub>DD</sub>	-	5	ms
$T_{pdt}$	Time of the voltage of supply being below 0.3V	5	-	ms
$T_{rtp}$	Time of resetting to be low before powering on	100	-	μs
$T_{pon}$	Time to start reporting after power on	-	200	ms
$T_{vdr}^*$	Reset time after applying V <sub>DD</sub>	1	-	ms
$T_{rsi}$	Time to start reporting after reset	-	200	ms
$T_{rst}^*$	Reset Time	1	-	ms

\*If Reset is tied to V<sub>CC</sub> data corruption can occur.



### Sample code to read touch data:

```

i2c_start();
i2c_tx(0x70);           //Slave Address (Write)
i2c_tx(0x00);          //Start reading address
i2c_stop();

i2c_start();
i2c_tx(0x71);           //Slave Address (Read)
for(i=0x00;i<0x1F;i++)
{touchdata_buffer[i] = i2c_rx(1);}
i2c_stop();

```

### Sample code to overwrite default register values:

```

i2c_start();
i2c_tx(0x70);           //Slave Address (Write)
i2c_tx(0xA4);           //ID_G_Mode
i2c_tx(0x01);           //Disable interrupt status to host
i2c_stop();

```

## Quality Information

Test Item	Content of Test	Test Condition	Note
High Temperature storage	Endurance test applying the high storage temperature for a long time.	+70°C , 240hrs	2
Low Temperature storage	Endurance test applying the low storage temperature for a long time.	-30°C , 240hrs	1,2
High Temperature Operation	Endurance test applying the electric stress (voltage & current) and the high thermal stress for a long time.	+60°C , 240hrs	2
Low Temperature Operation	Endurance test applying the electric stress (voltage & current) and the low thermal stress for a long time.	-20°C , 240hrs	1,2
High Temperature / Humidity Operation	Endurance test applying the electric stress (voltage & current) and the high thermal with high humidity stress for a long time.	+60°C , 90% RH , 160hrs	1,2
Thermal Shock resistance	Endurance test applying the electric stress (voltage & current) during a cycle of low and high thermal stress.	-30°C,30min -> 25°C,5min -> 80°C,30min = 1 cycle 100 cycles	
Vibration test	Endurance test applying vibration to simulate transportation and use.	10-55Hz , 15mm amplitude. 60 sec in each of 3 directions X,Y,Z For 15 minutes	3
Static electricity test	Endurance test applying electric static discharge.	VS=4KV, RS=330kΩ, CS=150pF Five times	

**Note 1:** No condensation to be observed.

**Note 2:** Conducted after 4 hours of storage at 25°C, 0%RH.

**Note 3:** Test performed on product itself, not inside a container.

## Precautions for using LCDs/LCMs

See Precautions at [www.newhavendisplay.com/specs/precautions.pdf](http://www.newhavendisplay.com/specs/precautions.pdf)

## Warranty Information and Terms & Conditions

[http://www.newhavendisplay.com/index.php?main\\_page=terms](http://www.newhavendisplay.com/index.php?main_page=terms)