



Product Change Notification

PANEL CONTROLS

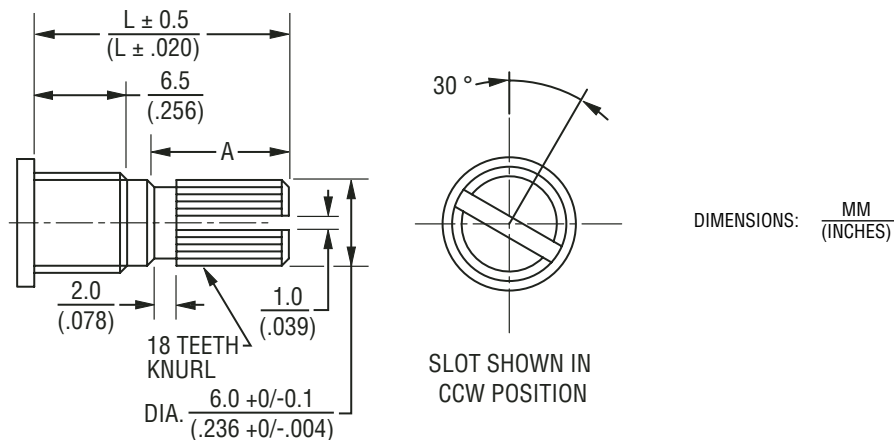
Bourns Manufacturers Representatives
 Corporate Distributor Product Managers
 Americas Sales Team
 Asia Sales Team
 Europe Sales Team
 Bourns Internal
 Bourns Plant Managers



December, 2008

Bourns® Model PDB18 Shaft Change

Sensors & Controls Product Group is announcing a product update to our [Model PDB18](#) Potentiometer. We have phased in a minor change to the shaft configuration. Please reference the attached drawing below showing the design change to the shaft and associated shaft length options.



L	$\frac{15}{(.591)}$	$\frac{18}{(.709)}$	$\frac{20}{(.787)}$	$\frac{25}{(.984)}$	$\frac{30}{(1.181)}$
A	$\frac{6.5}{(.256)}$	$\frac{6.5}{(.256)}$	$\frac{11.5}{(.453)}$	$\frac{14}{(.551)}$	$\frac{19}{(.748)}$

This change affects Model PDB181 and PDB182 with knurled shaft only. The shaft material will change from aluminum to zinc-die cast. In addition, the rear cover will be tin-plated rather than zinc-plated to allow customers to solder to the rear cover. Two new shaft lengths will be available: 15 mm and 18 mm. There are also a few minor dimension changes to the anti-rotation lug and terminals that do not affect fit. Please see the Model PDB18 data sheet for detailed dimensions.

The design change was phased in the week of September 15, 2008 with date codes beginning 0838. There are no changes to fit or function of this product. Distribution book prices will also remain unchanged.