



soberton inc.

# DYNAMIC SPEAKER UNIT

Acoustic Product Specification

Product Number: SP-3114Y



Release | Revision: A/2018

## CONTENTS

This document contains the technical specifications for the dynamic speaker.

### Page 1

Speaker Specification

### Page 2

Measuring Circuit

Typical Frequency Response Curve

### Page 3

Dimensions

## Speaker Specification

Item	Specification	Testing Condition
Dimensions	Ø31.0 x 14.0 mm	
Voice Coil Impedance	8Ω ±20% DCR 6.6Ω ±15%	At 1.2KHz 1V
Resonant Frequency	270±20%Hz	At 1.0V
Output S.P.L.	82±2dB at 0.8,1.0,1.5,2.0 KHz in average	at 0.5m /1.0W
Frequency Response	f0~20KHz	-10dB
Rated Input Power	2.0 W	
Max Input Power	3.0 W	
Operation	Must be normal	Program Source 2.0W
Noise	Must be normal	Sine Wave 4.0 V
Heat Test	Meet items 8 & 9 after test	55± 2°C 16 hours
Humidity Test	Meet items 8 & 9 after test	40±2°C 90~95%RH 48 hours
Load Test	Meet items 8 & 9 after test	White noise 2.0 W 100 hours
Magnet	Φ18 x 4.0mm NdFeB	
Net Weight	26.5g	
Polarity	When a positive DC current is applied to the terminal marked(+), the diaphragm moves forward.	



soberton inc.

# DYNAMIC SPEAKER UNIT

Acoustic Product Specification

Product Number: SP-3114Y



Release | Revision: A/2018

## CONTENTS

This document contains the technical specifications for the dynamic speaker.

### Page 1

Speaker Specification

### Page 2

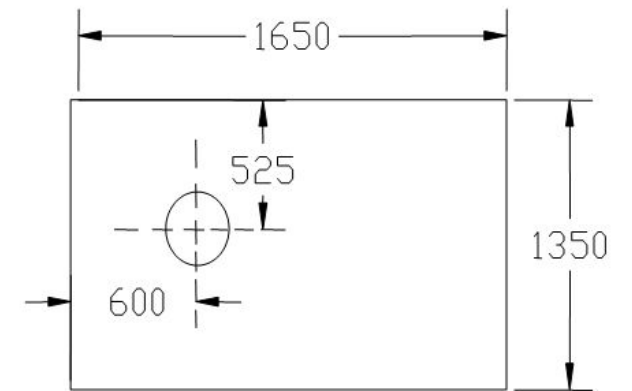
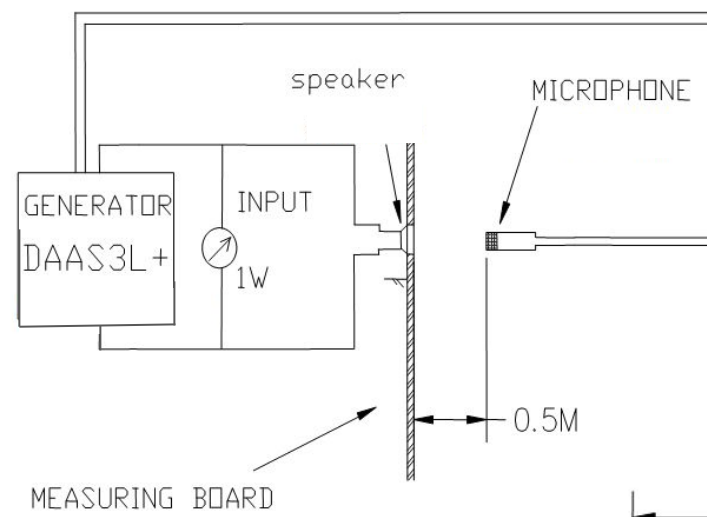
Measuring Circuit

Typical Frequency Response Curve

### Page 3

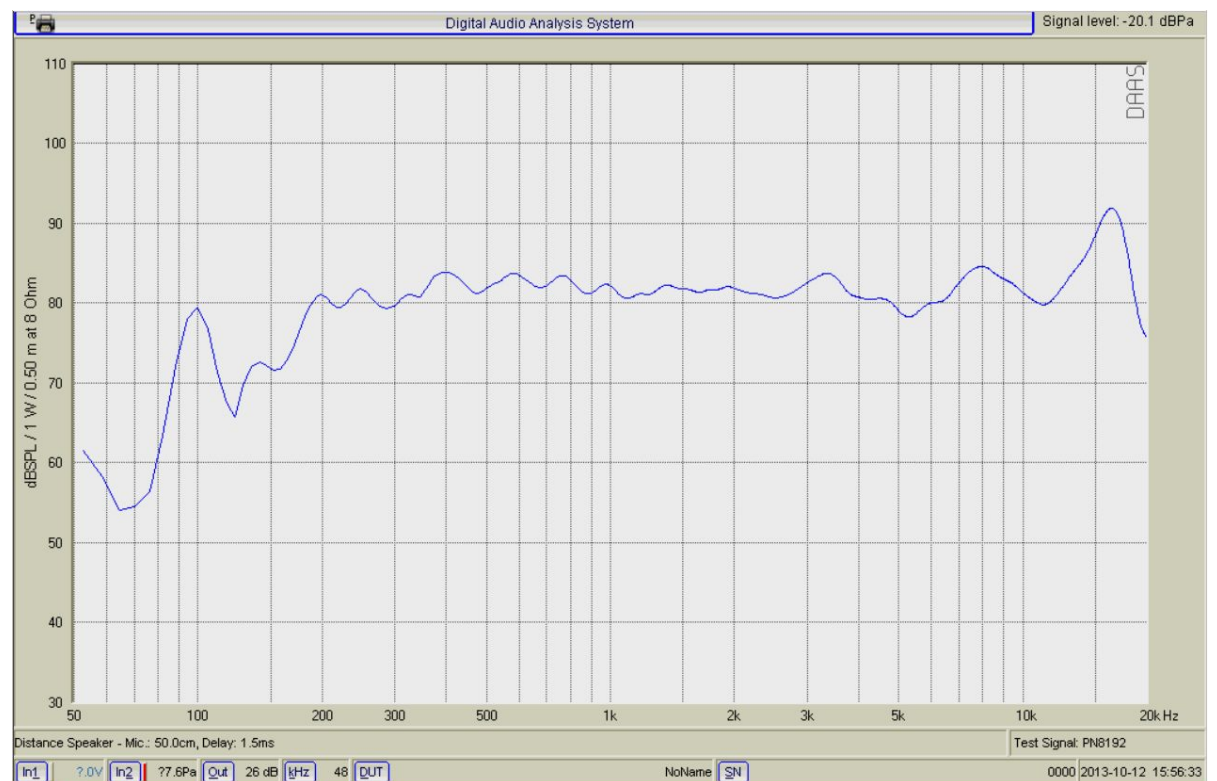
Dimensions

## Measuring Circuit



MEASUREMENT

## Typical Frequency Response Curve





soberton inc.

# DYNAMIC SPEAKER UNIT

Acoustic Product Specification

Product Number: SP-3114Y



Release | Revision: A/2018

## CONTENTS

This document contains the technical specifications for the dynamic speaker.

### Page 1

Speaker Specification

### Page 2

Measuring Circuit

Typical Frequency Response Curve

### Page 3

Dimensions

## Dimensions

Tolerance:  $\pm 0.3\text{mm}$

