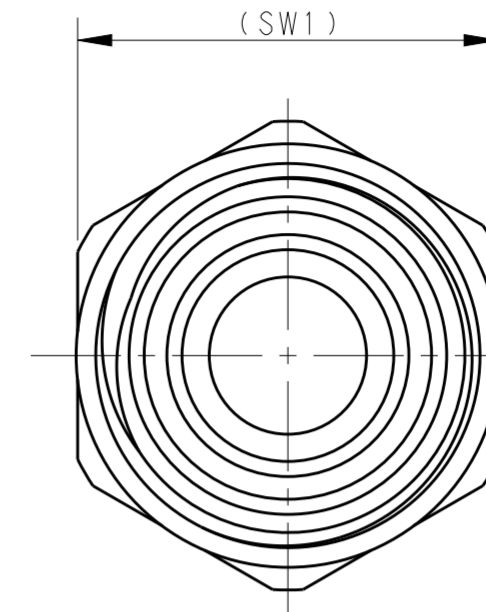
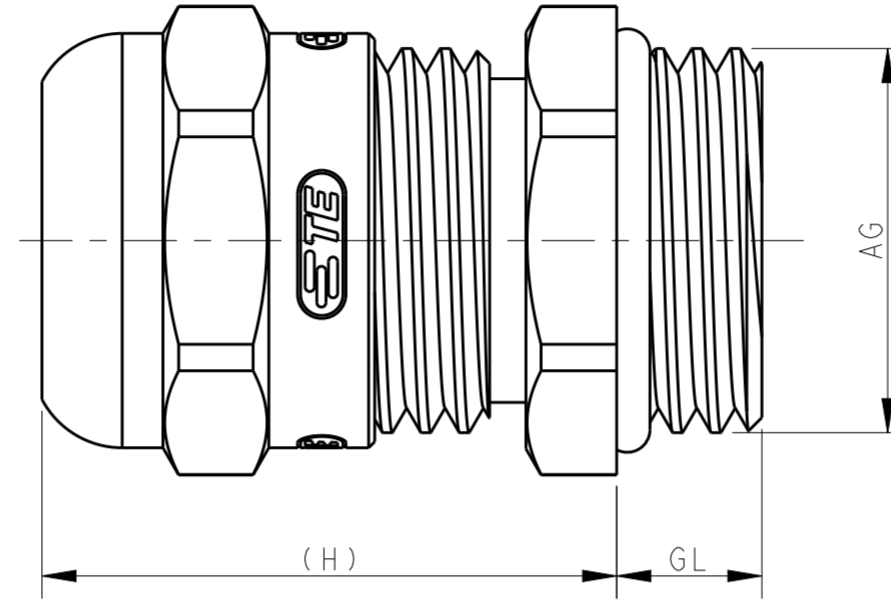
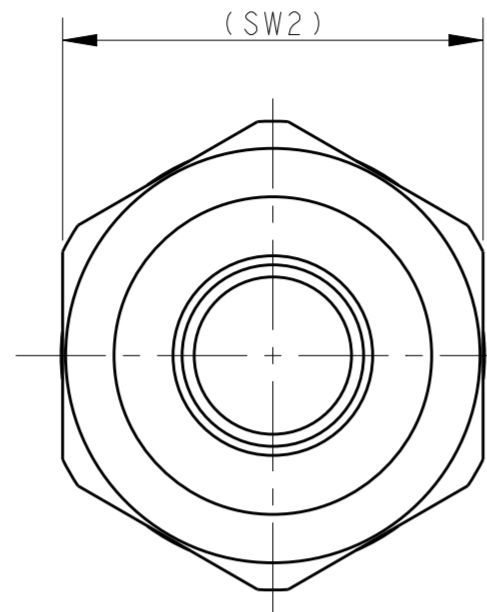
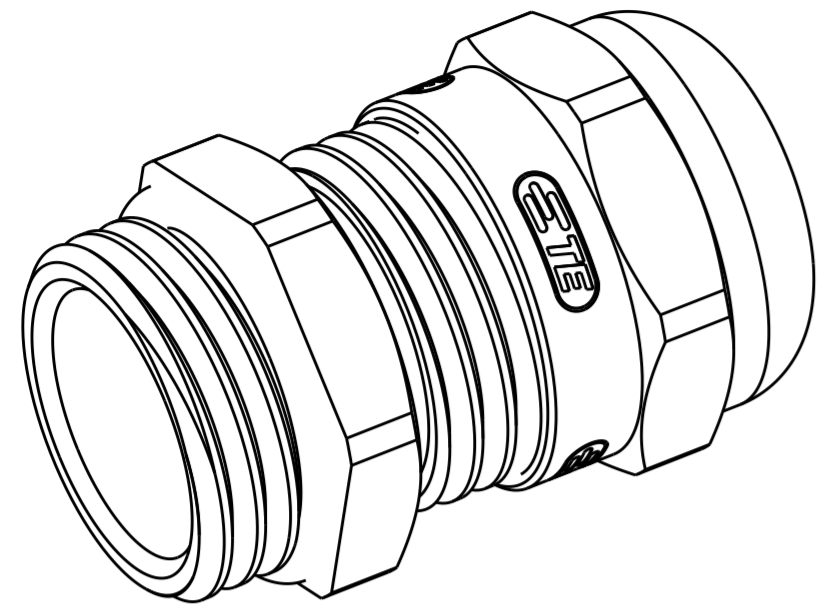


THIS DRAWING IS UNPUBLISHED. RELEASED FOR PUBLICATION 20
 BY - ALL RIGHTS RESERVED.

P	LTR	DESCRIPTION	DATE	DWN	APVD
A		INITIAL	24SEP2015	DW	CW
A1		ECR-17-014105	07OCT2017	YC	CW
A2		ECR-19-004297	21MAR2019	SR	CW



AG	WIRE RANG (mm)	GL	GL (Lengthen)	H	SW2	SW1	PART DESCRIPTION	PART NUMBER
M32x1.5	21-22.5	8	-	28.5	40	40	DLX-32-MEZ	嵌入式金属接头 (M32*1.5)(21-22.5) T3709320122-000
M32x1.5	17-21	8	-	28.5	40	40	DLX-32-MET	嵌入式金属接头 (M32*1.5)(17-21) T3709320112-000
M32x1.5	22.5-25	8	-	28.5	40	40	DLX-32-ME	嵌入式金属接头 (M32*1.5)(22.5-25) T3709320102-000
M25x1.5	16-17.5	7	-	23.5	30	30	DLX-25-MEZ	嵌入式金属接头 (M25*1.5)(16-17.5) T3709250122-000
M25x1.5	13.5-16	7	-	23.5	30	30	DLX-25-MET	嵌入式金属接头 (M25*1.5)(13.5-16) T3709250112-000
M25x1.5	17.5-19	7	-	23.5	30	30	DLX-25-ME	嵌入式金属接头 (M25*1.5)(17.5-19) T3709250102-000
M25x1.5	19-21	7	-	23.5	30	30	DLX-25-MEC	嵌入式金属接头 (M25*1.5)(19-21) T3709250142-000
M24x1.5	10-14	7	-	23.5	30	30	DLX-24-MET	嵌入式金属接头 (M24*1.5)(10-14) T3709240112-000
M20x1.5	13.5-15	-	16	21.5	22	24	DLX-20-LME	嵌入式金属加长螺纹接头 (M20*1.5)(13.5-15) T3709200202-000
M20x1.5	11-13.5	6	-	21.5	22	22	DLX-20-MEZ	嵌入式金属接头 (M20*1.5)(11-13.5) T3709200122-000
M20x1.5	8.5-11	6	-	21.5	22	22	DLX-20-MET	嵌入式金属接头 (M20*1.5)(8.5-11) T3709200112-000
M20x1.5	13.5-15	6	-	21.5	22	22	DLX-20-ME	嵌入式金属接头 (M20*1.5)(13.5-15) T3709200102-000
M16x1.5	8-9.5	-	10	19.5	17	18	DLX-16-MEZ	嵌入式金属加长螺纹接头 (M16*1.5)(8-9.5) T3709161122-000
M16x1.5	8-9.5	6	-	19.5	17	18	DLX-16-MET	嵌入式金属接头 (M16*1.5)(8-9.5) T3709160122-000
M16x1.5	6.5-9	6	-	19.5	17	18	DLX-16-ME	嵌入式金属接头 (M16*1.5)(6.5-9) T3709160112-000
M16x1.5	9.5-10.5	6	-	19.5	17	18	DLX-16-ME	嵌入式金属接头 (M16*1.5)(9.5-10.5) T3709160102-000
1/2 20UNF	3.5-5	4.8	-	17.5	13.0	13.0	DLX-1/2 20 UNF	嵌入式金属接头 (1/2 20UNF)(3.5-5) T3709121131-000
PG29	21-22.5	8	-	28.5	40	40	DLX-29-MSEZ	嵌入式金属接头 PG29 (21-22.5) T3709290121-000
PG29	17.5-21	8	-	28.5	40	40	DLX-29-MSET	嵌入式金属接头 PG29 (17.5-21) T3709290111-000
PG29	22.5-25	8	-	28.5	40	40	DLX-29-MSE	嵌入式金属接头 PG29 (22.5-25) T3709290101-000
PG21	16-17.5	7	-	23.5	30	30	DLX-21-MSEZ	嵌入式金属接头 PG21 (16-17.5) T3709210121-000
PG21	13.5-16	7	-	23.5	30	30	DLX-21-MSET	嵌入式金属接头 PG21 (13.5-16) T3709210111-000
PG21	17.5-19	7	-	23.5	30	30	DLX-21-MSE	嵌入式金属接头 PG21 (17.5-19) T3709210101-000
PG16	12-14	6	-	20.5	24	24	DLX-16-MSEZ	嵌入式金属接头 PG16 (12-14) T3709160121-000
PG16	9-12	6	-	20.5	24	24	DLX-16-MSET	嵌入式金属接头 PG16 (9-12) T3709160111-000
PG16	14-16	6	-	20.5	24	24	DLX-16-MSE	嵌入式金属接头 PG16 (14-16) T3709160101-000
PG13.5	11-13.5	6	-	21.8	22	22	DLX-13-MSEZ	嵌入式金属接头 PG13.5 (11-13.5) T3709130121-000
PG13.5	8.5-11	6	-	21.8	22	22	DLX-13-MSET	嵌入式金属接头 PG13.5 (8.5-11) T3709130111-000
PG13.5	13.5-15	6	-	21.8	22	22	DLX-13-MSE	嵌入式金属接头 PG13.5 (13.5-15) T3709130101-000
PG11	8.5-11	7.3	-	20	20	20	DLX-11-MSEZ	嵌入式金属接头 PG11 (8.5-11) T3709110121-000
PG11	6-8.5	7.3	-	20	20	20	DLX-11-MSET	嵌入式金属接头 PG11 (6-8.5) T3709110111-000
PG11	11-13.5	7.3	-	20	20	20	DLX-11-MSE	嵌入式金属接头 PG11 (11-13.5) T3709110101-000
PG9	3.5-6	6	-	19.5	17	18	DLX-9-MSET	嵌入式金属接头 PG9 (3.5-6) T3709090111-000
PG9	6.5-9	6	-	19.5	17	18	DLX-9-MSE	嵌入式金属接头 PG9 (6.5-9) T3709090101-000

OBSOLETE

OBSOLETE

NOTES:

- 1. TECHNICAL CHARACTERISTICS:
 - SHELL MATERIAL : BRASS,NICKEL-PLATED
 - O RING: ELASTIC RUBBER
 - SEAL MATERIAL: ELASTIC RUBBER
 - OPERATION TEMPERATURE: -40°C-+100°C
 - PROTECTION DEGREE: IP65
 - WIRE RANGE: SEE TABLE

注释:

- 1. 技术参数:
 - 主体材料: 铜镀镍
 - O 型圈: 弹性橡胶
 - 密封材料: 弹性橡胶
 - 工作温度: -40°C-+100°C
 - 防护等级: IP65
 - 夹线范围: 见表格

THIS DRAWING IS A CONTROLLED DOCUMENT.		DWN DAVID WANG 24SEP2015	 TE Connectivity
DIMENSIONS: mm		CHK CHRIS WANG 24SEP2015	
TOLERANCES UNLESS OTHERWISE SPECIFIED:		APVD XIANG XU 24SEP2015	
0 PLC ± 1 PLC ± 2 PLC ± 3 PLC ± 4 PLC ± ANGLES ± FINISH -		NAME METAL CABLE GLAND BRASS NICKEL-PLATED SPECIAL SEALING, IP65 SIZE A2 CAGE CODE G-T3709XXXXX000 DRAWING NO. T3709XXXXX000 RESTRICTED TO -	
MATERIAL -	PRODUCT SPEC -	APPLICATION SPEC -	WEIGHT -
CUSTOMER DRAWING		SCALE 4:1	SHEET 1 OF 1 REV A2