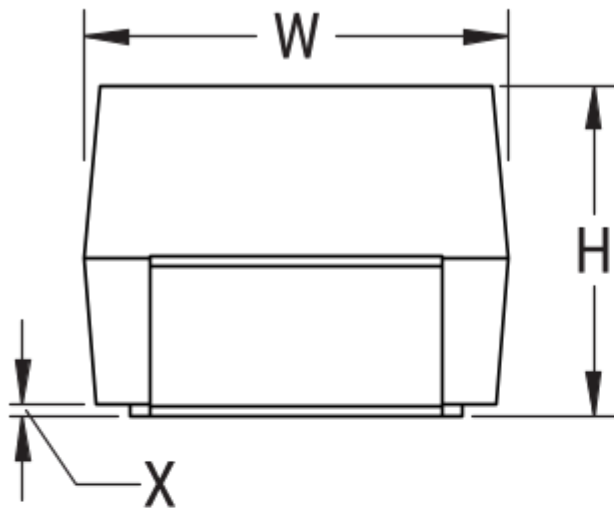


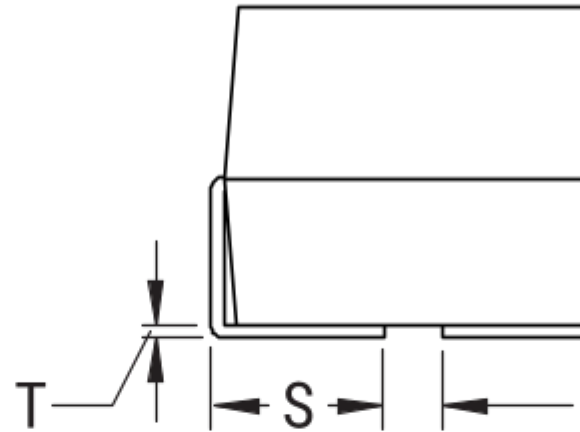
# T494U476K004AT

T494, Tantalum, MnO<sub>2</sub> Tantalum, 47 uF, 10%, 4 VDC, SMD, MnO<sub>2</sub>, Molded, Low Profile, Low ESR, 600 mOhms, 6032, Height Max = 1.5mm

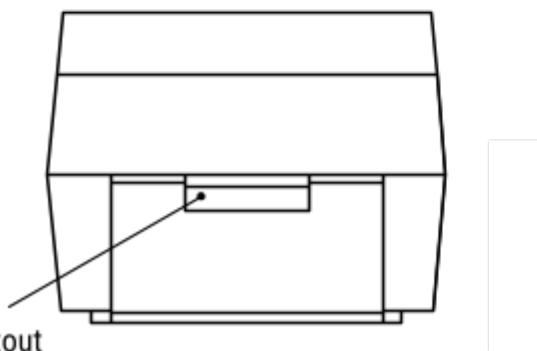
## CATHODE (-) END VIEW



## SIDE

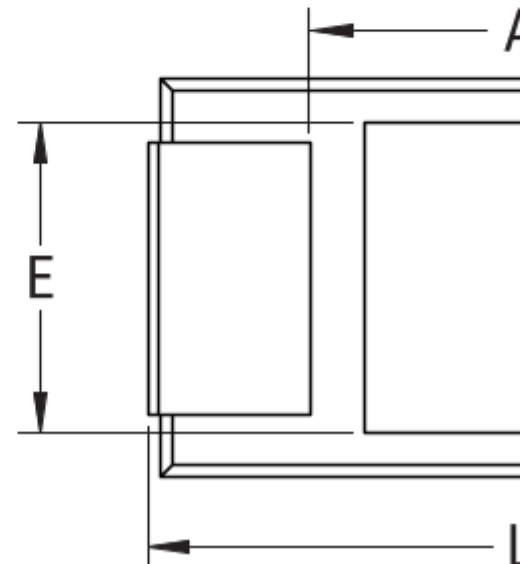


## ANODE (+) END VIEW



Termination cutout  
at KEMET's option,  
either end

## BOTTOM



Click [here](#) for the 3D model.

### Dimensions

Footprint 6032

L 6mm +/-0.3mm

W 3.2mm +/-0.2mm

H 1.4mm +/-0.1mm

### Dimensions

T	0.13mm REF
S	1.3mm +/-0.3mm
F	2.2mm +/-0.1mm
A	2.9mm MIN
E	2.4mm REF
G	2.8mm REF
X	0.05mm REF

### Packaging Specifications

Packaging	T&R, 178mm
Packaging Quantity	1000

### General Information

Series	T494
Dielectric	MnO2 Tantalum
Style	SMD Chip
Description	SMD, MnO2, Molded, Low Profile, Low ESR
Features	Low ESR
RoHS	Yes
Termination	Tin
AEC-Q200	No
Component Weight	70 mg
Shelf Life	156 Weeks
MSL	1

### Specifications

Capacitance	47 uF
Capacitance Tolerance	10%
Voltage DC	4 VDC (85C), 2.68 VDC (125C)
Temperature Range	-55/+125°C
Rated Temperature	85°C
Dissipation Factor	6% 120Hz 25C
Failure Rate	N/A
Resistance	0.6 Ohms (100kHz 25C)
Ripple Current	387 mA (rms, 100kHz 25C), 348.3 mA (rms, 85C), 154.8 mA (rms, 125C)
Leakage Current	1.9 uA (5min 25°C)

Statements of suitability for certain applications are based on our knowledge of typical operating conditions for such applications, but are not intended to constitute - and we specifically disclaim - any warranty concerning suitability for a specific customer application or use. This Information is intended for use only by customers who have the requisite experience and capability to determine the correct products for their application. Any technical advice inferred from this Information or otherwise provided by us with reference to the use of our products is given gratis, and we assume no obligation or liability for the advice given or results obtained.

Generated 5/18/2023 - c14ea250-0d0d-4c1b-b439-d545126f0353

© 2006 - 2023 KEMET

Generated 5/18/2023 - c14ea250-0d0d-4c1b-b439-d545126f0353

