

This innovation enables proper alignment when mounting 2 to 3 axis or side cabled stud mounted vibration sensors with the equipment being tested or monitored.

The sensor orientation can be adjusted with a set screw to ensure that the sensing axes are properly aligned with the monitored machinery.

Various standard and customized mounting stud threads are available.



KEY FEATURES

- Standard and customizable mounting threads enable use with virtually any accelerometer or other vibration stud mount sensor
- Orientation angle fixed with a single set screw
- 10kHz flat frequency response

US PATENT 10,866,256

ViCont, Inc.
12931 Kingsbridge,
Houston, TX 77077

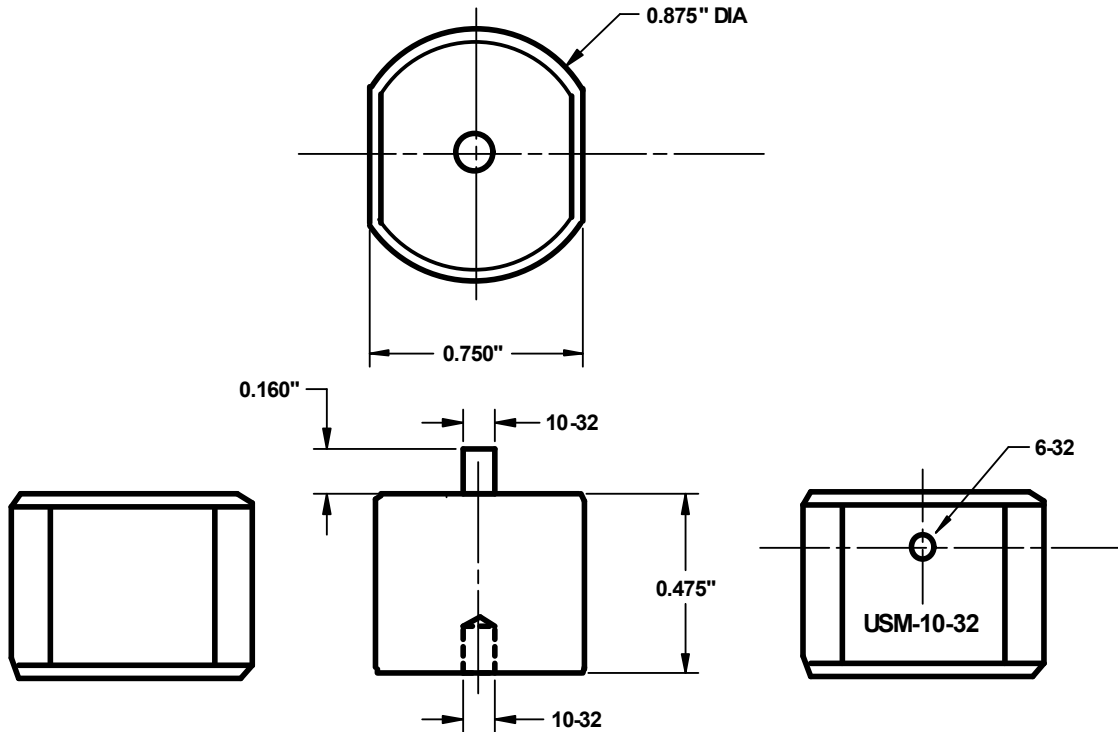
e-mail: gvz@vicontinc.com
tel/ fax: 281-727-0811
www.vicontinc.com

USM UNIVERSAL SENSOR MOUNT

Part number format BOTTOM PIN Size / TOP PIN Size. Example USM-1/4-28 / 10-32

		TOP PIN (to SENSOR)							
		4-40	5-40	5-44	10-32	¼-28	M3	M5	M6
BOTTOM PIN (to ASSET)	4-40	USM 4-40	USM 4-40/5-40	USM 4-40/5-44	USM 4-40/10-32	USM 4-40/0.25-28	USM 4-40/M3	USM 4-40/M5	USM 4-40/M6
	5-40	USM 5-40/4-40	USM 5-40	USM 5-40/5-44	USM 5-40/10-32	USM 5-40/0.25-28	USM 5-40/M3	USM 5-40/M5	USM 5-40/M6
	5-44	USM 5-44/4-40	USM 5-44/5-40	USM 5-44	USM 5-44/10-32	USM 5-44/0.25-28	USM 5-44/M3	USM 5-44/M5	USM 5-44/M6
	10-32	USM 10-32/4-40	USM 10-32/5-40	USM 10-32/5-44	USM 10-32	USM 10-32/0.25-28	USM 10-32/M3	USM 10-32/M5	USM 10-32/M6
	¼-28	USM 0.25-28/4-40	USM 0.25-28/5-40	USM 0.25-28/5-44	USM 0.25-28/10-32	USM 0.25-28	USM 0.25-28/M3	USM 0.25-28/M5	USM 0.25-28/M6
	M3	USM M3/4-40	USM M3/5-40	USM M3/5-44	USM M3/10-32	USM M3/0.25-28	USM M3	USM M3/M5	USM M3/M6
	M5	USM M5/4-40	USM M5/5-40	USM M5/5-44	USM M5/10-32	USM M5/0.25-28	USM M5/M3	USM M5	USM M5/M6
	M6	USM M6/4-40	USM M6/5-40	USM M6/5-44	USM M6/10-32	USM M6/0.25-28	USM M6/M3	USM M6/M5	USM M6

USM 10-32 is in stock; all other custom configurations build-to-order.



US PATENT 10,866,256

ViCont, Inc.
12931 Kingsbridge,
Houston, TX 77077

e-mail: gvz@vicontinc.com
tel/ fax: 281-727-0811
www.vicontinc.com