


ECOLAB

Model number

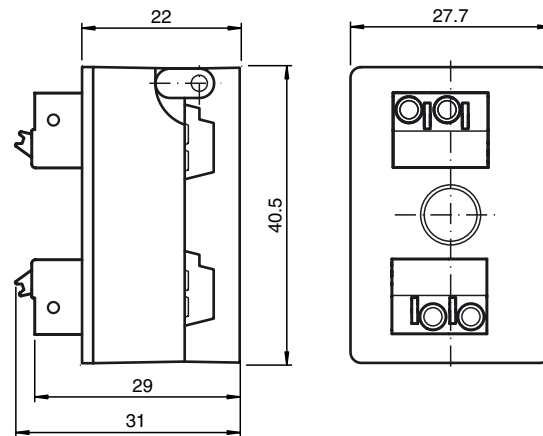
VAZ-T1-FK-G10-CLAMP1

Splitter box G10, 2 x AS-Interface to 2 double terminals

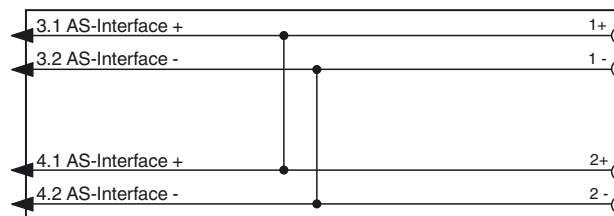
Features

- One piece housing
- Simple and fast mounting
- High current rating
- Gold-plated and machined contacts

Dimensions



Electrical connection



Technical data

General specifications

Construction type	Spring terminal flat cable terminals
UL File Number	E223772 "For use in NFPA 79 Applications only"

Electrical specifications

Rated operating voltage	$U_e \leq 32$ V PELV
Rated operating current	$I_e \leq 8$ A
Protection class	III
Surge protection	overvoltage category III

Ambient conditions

Ambient temperature	-25 ... 75 °C (-13 ... 167 °F)
Storage temperature	-25 ... 85 °C (-13 ... 185 °F)
Pollution degree	2

Mechanical specifications

Degree of protection	IP20
Connection	Flat cable: cable piercing method spring terminal
Material	
Contacts	CuSn / Au
Housing	PBT PC
Mounting screw	Stainless steel 1.4305 / AISI 303
Mass	40 g
Tightening torque, fastening screws	1.65 Nm
Note	The unused flat cable connector is closed with a seal.

Compliance with standards and directives

Standard conformity	
Degree of protection	EN 60529:2000

Approvals and certificates

UL approval	cULus Listed, Type 1 enclosure
Maximum permissible ambient temperature	≤ 55 °C (≤ 131 °F)

Notes**Mounting instructions**

You may screw the device onto a level mounting surface using two M4 attachment screws. The attachment screws are not included.

