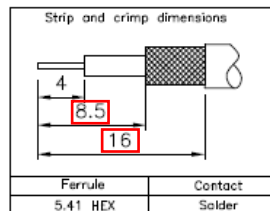
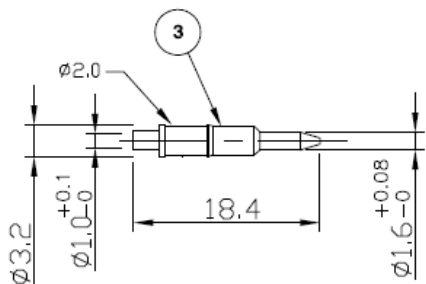
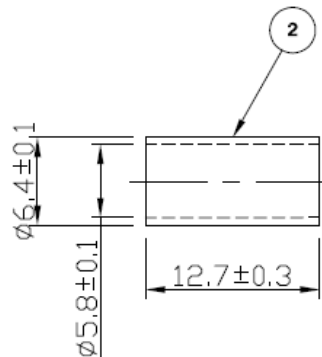
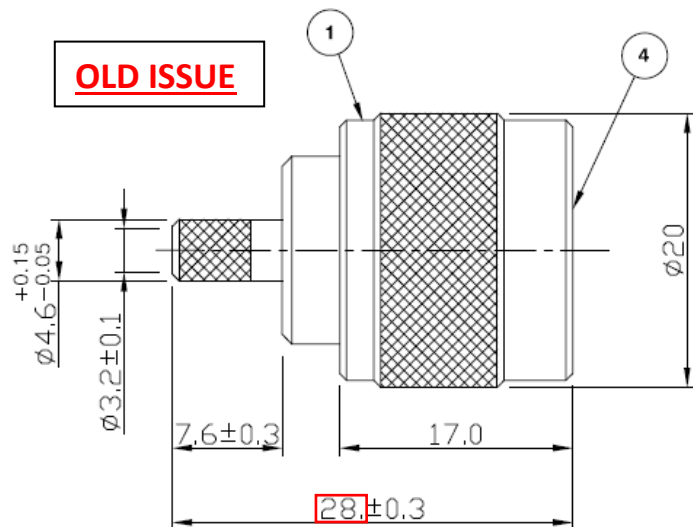


VN10-2050 CHANGE NOTICE

RoHS COMPLIANT

OLD ISSUE



For stripping and assembly instructions see Drawing Number: VAIN1101

Electrical Characteristics

Nominal Impedance:	50 ohms
Frequency Range:	DC to 11 GHz
VSWR:	1.3:1 maximum
Insertion Loss:	0.3 dB at 10 GHz
Operating Voltage (rms):	1000 V maximum at sea level
Dielectric Withstand Voltage (rms):	2500 V maximum at sea level
Contact Resistance:	1.0 milliohms maximum
Insulation Resistance:	5000 megohms minimum

Mechanical Characteristics

Mating Cycles:	500 cycles minimum
Interface Dimensions:	Conform to MIL-C-39012

Environmental Characteristics

Temperature Range:	-65 °C to +165 °C
--------------------	-------------------

PART	DESCRIPTION
1	Body Brass, nickel plated 2.54 μm
2	Ferrule Brass, nickel plated 2.54 μm
3	Contact Brass, gold plated 0.076 μm - 0.127 μm
4	Dielectric PTFE
5	Gasket Rubber

Strip & Crimp Details added	MS	3	11 Sep 09
CAD Issue	SN	2	29 Jan 02
First Issue	AT	1	02 Feb 95
DESCRIPTION OF REVISION	APPVD	ISS	DATE



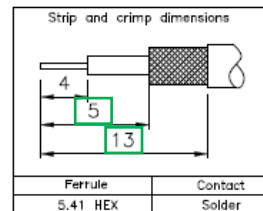
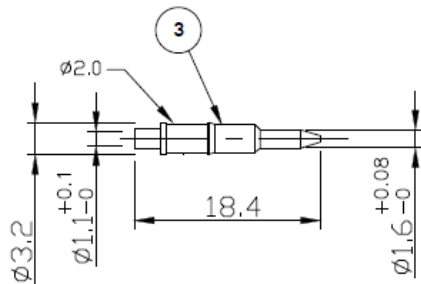
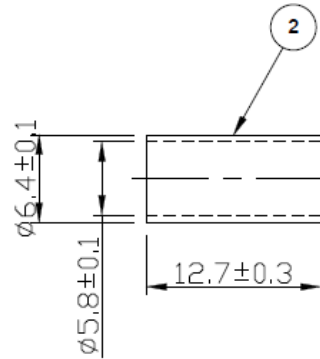
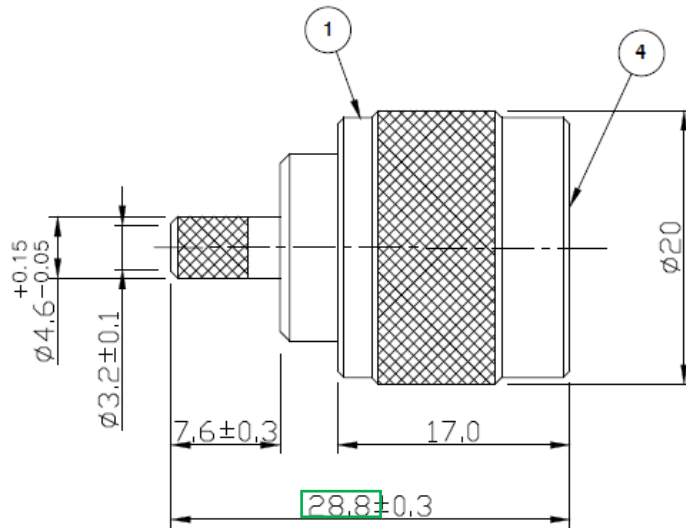
11 Bliton Road,
Chelmsford, Essex,
CM1 2UP, UK
Tel: +44 (0)1245 359515
Fax: +44 (0)1245 358938

SCALE: Not To Scale	DRAWN BY: S Nash	TITLE:
DIMENSIONS: mm	CHECKED BY: S Nash	N Crimp Plug for RG142, RG223, RG400
TOLERANCES: ± 0.2mm unless otherwise stated	APPROVED BY: M Nielsen	
	DATE: 29 Jan 02	

PART NUMBER:	VN10-2050
PAGE:	1 of 1

VN10-2050 NEW ISSUE DRAWING

RoHS COMPLIANT



For stripping and assembly instructions see Drawing Number: VAIN1101

Electrical Characteristics

Nominal Impedance:	50 ohms
Frequency Range:	DC to 11 GHz
VSWR:	1.3:1 maximum
Insertion Loss:	0.3 dB at 10 GHz
Operating Voltage (rms):	1000 V maximum at sea level
Dielectric Withstand Voltage (rms):	2500 V maximum at sea level
Contact Resistance:	1.0 milliohms maximum
Insulation Resistance:	5000 megohms minimum

Mechanical Characteristics

Mating Cycles:	500 cycles minimum
Interface Dimensions:	Conform to MIL-C-39012

Environmental Characteristics

Temperature Range:	-65 °C to +165 °C
--------------------	-------------------

PART	DESCRIPTION
1	Body Brass, nickel plated 2.54 μm
2	Ferrule Brass, nickel plated 2.54 μm
3	Contact Brass, gold plated 0.076 μm - 0.127 μm
4	Dielectric PTFE
5	Gasket Rubber

Dimension Update	MS	4	09 Dec 19
Strip & Crimp Details added	MS	3	11 Sep 09
CAD Issue	SN	2	29 Jan 02
First Issue	AT	1	02 Feb 95
DESCRIPTION OF REVISION	APPVD	ISS	DATE



CINCH CONNECTIVITY SOLUTIONS
11 Bilton Road,
Chelmsford, Essex,
CM1 2UP, UK.
Tel: +44 (0) 1245 359515
Fax: +44 (0) 1245 358938

SCALE: Not To Scale
DIMENSIONS: mm
TOLERANCES:
± 0.2mm unless
otherwise stated

DRAWN BY: S Nash
CHECKED BY: S Nash
APPROVED BY: M Nielsen
DATE: 29 Jan 02

TITLE:
N Crimp Plug for RG142,
RG223, RG400

PART NUMBER:
VN10-2050

PAGE: 1 of 1