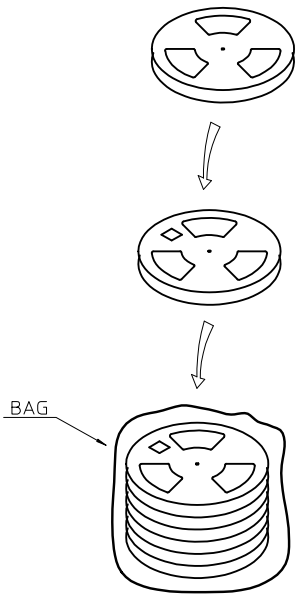


NOTE:

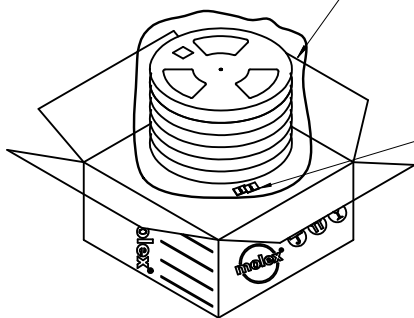
1. TAPE SIZE 29.5mm
2. STAPLES SHOULD ONLY BE USED TO SET UP CARTON
- ALL CARTONS CLOSURES MUST BE DONE WITH TAPE.
3. FILL PACKAGING REEL WITH THE QUANTITIES AS INDICATED IN THE CHART.

PRODUCT P/N	PARTS PER PRIMARY CARTON	PARTS PER REEL	TOTAL REELS PER PRIMARY CARTON
48168-1201 48168-1211	7000(PCS)	1400(PCS)	5
48168-3001 48168-3011	5600(PCS)	1400(PCS)	4

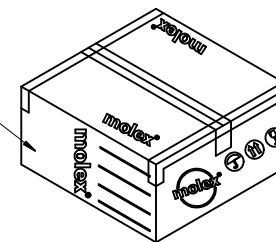


PRIMARY CARTON
096707-0007

2 DESICCATING AGENT



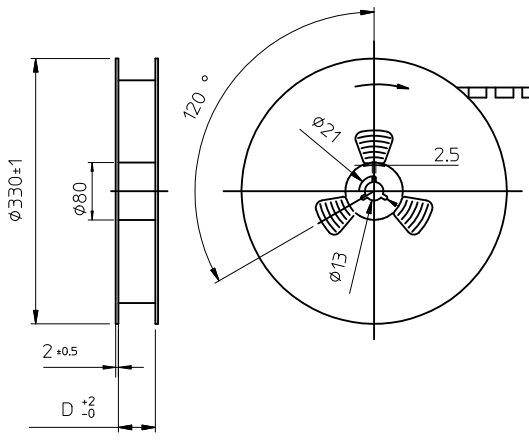
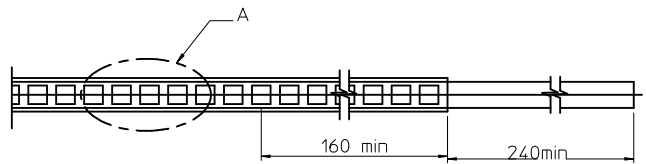
PRIMARY CARTON
096707-0007



REVISE EC NO: SH2010-0365 DRWN: YANG05 2010/03/12 CHK: ERIC KAO 2005/07/05 APPR: RZHANG 2010/04/30	DESCRIPTION REV	QUALITY SYMBOLS	GENERAL TOLERANCES (UNLESS SPECIFIED)		DIMENSION STYLE MM ONLY		SCALE 6:1	DESIGN UNITS METRIC	THIRD ANGLE PROJECTION																	
		$\nabla_F = 0$ $\nabla_{F'} = 0$ $\nabla_{F''} = 0$	<table border="1"> <thead> <tr> <th></th> <th>mm</th> <th>INCH</th> </tr> </thead> <tbody> <tr> <td>4 PLACES</td> <td>± ---</td> <td>± ---</td> </tr> <tr> <td>3 PLACES</td> <td>± ---</td> <td>± ---</td> </tr> <tr> <td>2 PLACES</td> <td>± 0.25</td> <td>± ---</td> </tr> <tr> <td>1 PLACE</td> <td>± 0.25</td> <td>± ---</td> </tr> </tbody> </table>		mm	INCH	4 PLACES	± ---	± ---	3 PLACES	± ---	± ---	2 PLACES	± 0.25	± ---	1 PLACE	± 0.25	± ---	ANGULAR ± 3 °		DRAWN BY BERNIE	DATE 2005/07/05	TITLE MDC 0.8 MM BTB RECEPTACLE CONNECTOR PACKAGING			
			mm	INCH																						
		4 PLACES	± ---	± ---																						
3 PLACES	± ---	± ---																								
2 PLACES	± 0.25	± ---																								
1 PLACE	± 0.25	± ---																								
DRAFT WHERE APPLICABLE MUST REMAIN WITHIN DIMENSIONS		SEE TABLE		CHECKED BY ERIC KAO	DATE 2005/07/05	MOLEX INCORPORATED																				
				APPROVED BY RZHANG	DATE 2010/04/14	DOCUMENT NO. PK-48168-001		SHEET NO. 1 OF 3																		

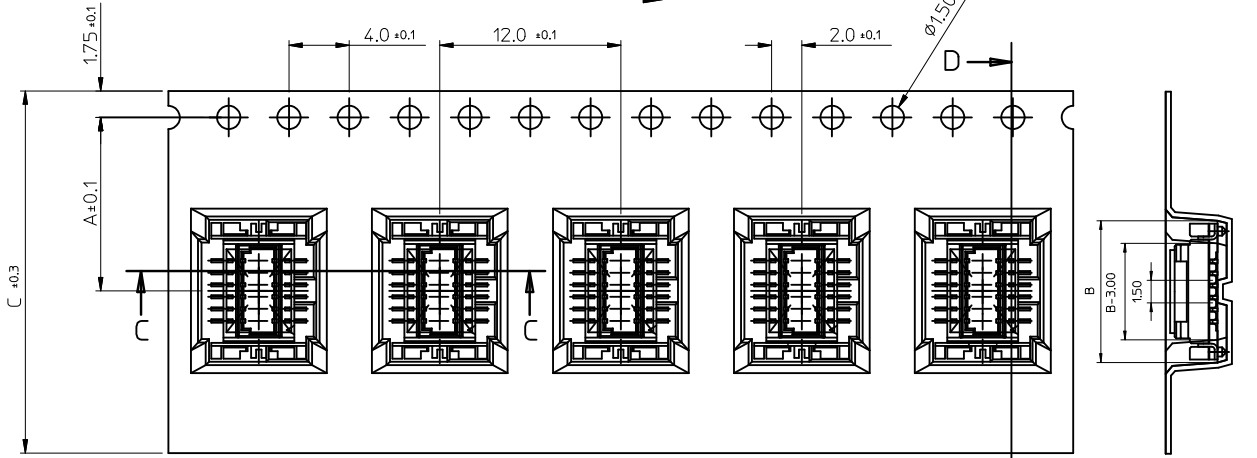
10 9 8 7 6 5 4 3 2 1

CKT	DIMA	DIMB	DIMC	DIMD
10		8.50		
12		9.30		
14	11.50	10.10	24.00	24.40
16		10.90		
20		12.50		
24		14.10		

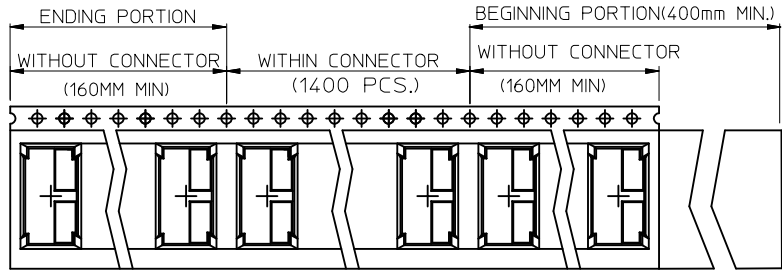


PULL DIRECTION

PULL DIRECTION



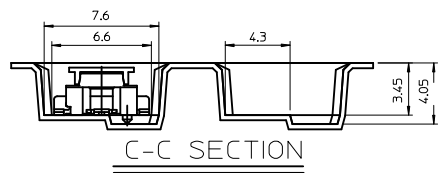
- NOTE:
1. QUANTITY 1400 PCS / REEL
 2. USER DIRECTION OF FEED



PULL DIRECTION

A VIEW DETAIL

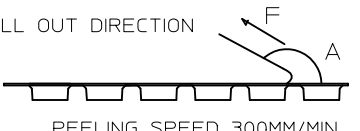
D-D SECTION



C-C SECTION

PULL DIRECTION

3. COVER TAPE PEELING FORCE:
PULL OUT DIRECTION



A	165°~ 180°
F	0.1N~1.3N

4. PART DIMENSIONS MEET EIA-481-2-A REQUIREMENT
5. THICKNESS: 0.35±0.05 MM

REVISE	EC NO:	DRW/NFYANG05	2010/03/12	CHK/D:ERIC KAO	2005/07/05	APPR:RZHANG	2010/04/20
C							

QUALITY SYMBOLS	DESCRIPTION
$\nabla_F=0$	
$\nabla_E=0$	
$\nabla_B=0$	

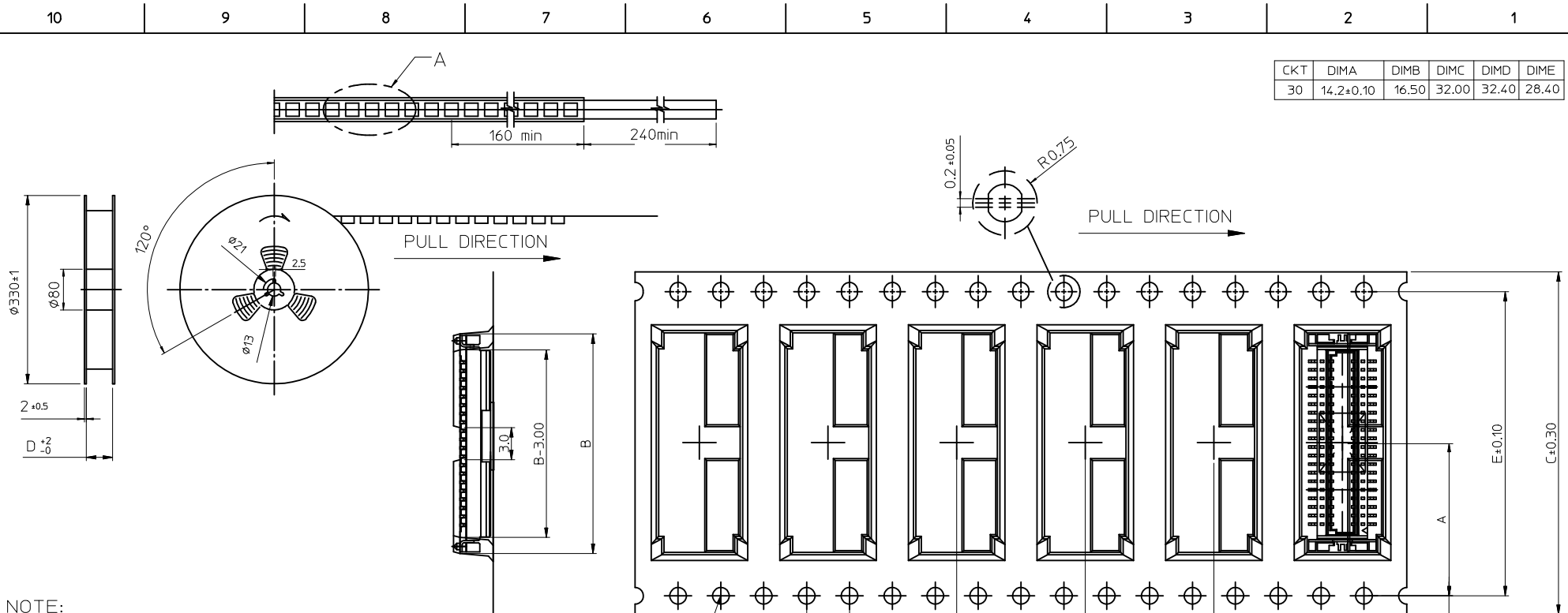
GENERAL TOLERANCES (UNLESS SPECIFIED)	DIMENSION STYLE	
	mm	INCH
4 PLACES	± ---	± ---
3 PLACES	± ---	± ---
2 PLACES	± 0.25	± ---
1 PLACE	± 0.25	± ---
ANGULAR ± 3 °		
DRAFT WHERE APPLICABLE MUST REMAIN WITHIN DIMENSIONS		

SCALE		DESIGN UNITS	THIRD ANGLE PROJECTION
1:1		METRIC	
DRAWN BY		DATE	TITLE
BERNIE		2005/07/05	MDC 0.8 MM BTB RECEPTACLE CONNECTOR PACKAGING
CHECKED BY		DATE	
ERIC KAO		2005/07/05	
APPROVED BY		DATE	MATERIAL NO.
RZHANG		2010/04/14	SEE SHEET 1

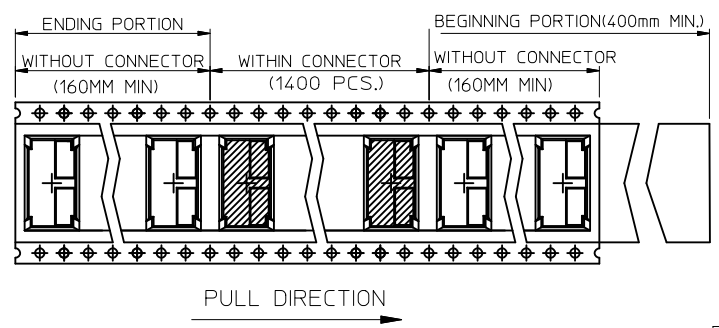
MOLEX INCORPORATED		DOCUMENT NO.	SHEET NO.
PK-48168-001			2 OF 3
THIS DRAWING CONTAINS INFORMATION THAT IS PROPRIETARY TO MOLEX INCORPORATED AND SHOULD NOT BE USED WITHOUT WRITTEN PERMISSION			

9 8 7 6 5 4 3 2 1

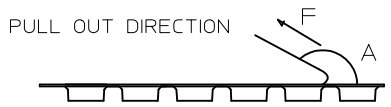
CKT	DIMA	DIMB	DIMC	DIMD	DIME
30	14.2±0.10	16.50	32.00	32.40	28.40



- NOTE:
1. QUANTITY 1400 PCS / REEL
 2. USER DIRECTION OF FEED

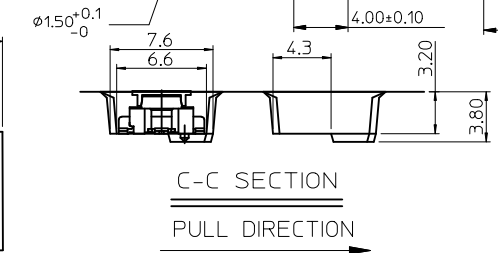


3. COVER TAPE PEELING FORCE: 0.12 kgf.

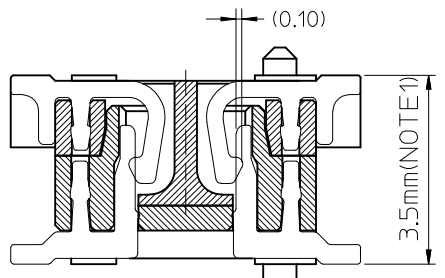
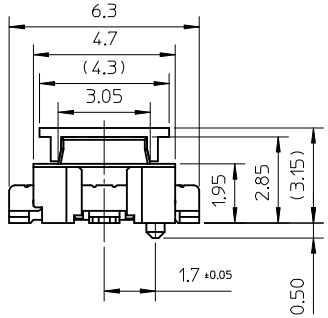
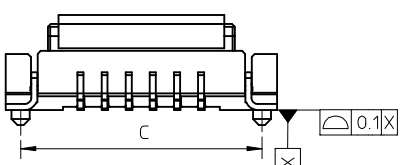
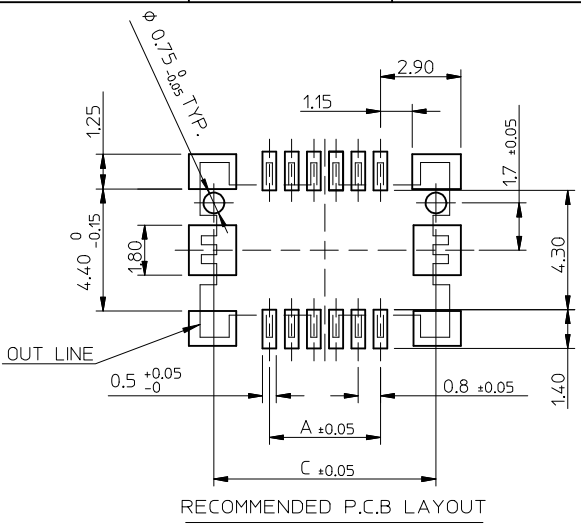
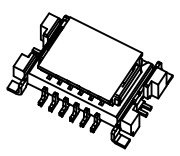
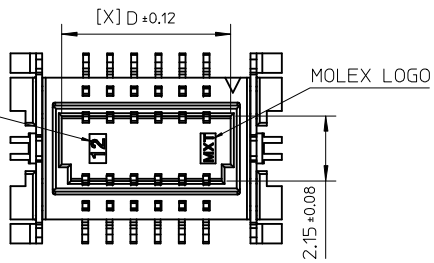
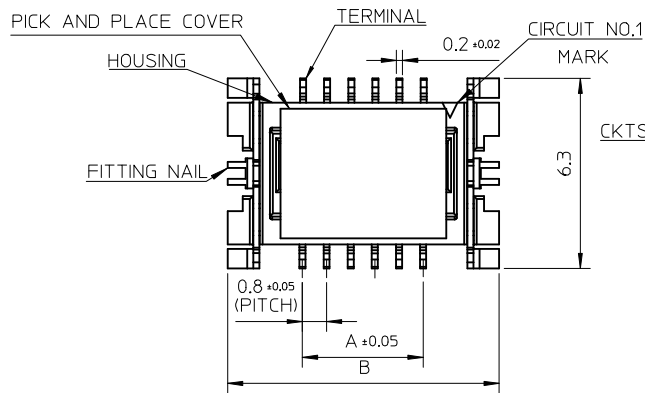


A	165° ~ 180°
F	0.1N ~ 1.3N

4. PART DIMENSIONS MEET EIA-481-2-A REQUIREMENT
5. THICKNESS: 0.35±0.05 MM



REVISE	REV	DESCRIPTION	QUALITY SYMBOLS	GENERAL TOLERANCES (UNLESS SPECIFIED)		DIMENSION STYLE		SCALE	DESIGN UNITS	THIRD ANGLE PROJECTION	
				mm	INCH	MM ONLY	1:1	METRIC			
DRW: F YANG05	2010/03/12		▽ _A =0	4 PLACES	± ---	± ---	DRAWN BY	DATE	TITLE	MDC 0.8 MM BTB RECEPTACLE CONNECTOR PACKAGING	
CHK: D ERIC KAO	2005/07/05		▽ _F =0	3 PLACES	± ---	± ---	BERNIE	2005/07/05			
APP: R ZHANG	2010/04/30		▽ _E =0	2 PLACES	± 0.25	± ---	CHECKED BY	DATE		MOLEX INCORPORATED	
				1 PLACE	± 0.25	± ---	ERIC KAO	2005/07/05			
				ANGULAR ± 3 °			APPROVED BY	DATE		PK-48168-001	
				DRAFT WHERE APPLICABLE MUST REMAIN WITHIN DIMENSIONS			RZHANG	2010/04/14			
							MATERIAL NO.			DOCUMENT NO.	
							SEE SHEET 1				SHEET NO.
											3 OF 3



MATED CONDITION SECTION

DIMA	DIMB	DIMC	DIMD	CKT	AVAILABLE
3.2	8.2	7.2	4.8	10	-
4.0	9.0	8.0	5.6	12	YES
4.8	9.8	8.8	6.4	14	-
5.6	10.6	9.6	7.2	16	-
7.2	12.2	11.2	8.8	20	-
8.8	13.8	12.8	10.4	24	-
11.2	16.2	15.2	12.8	30	YES

NOTES
 1.COPLANARITY IS 0.1mm MAX.
 2.MATERIAL : HOUSING-HIGH TEMPERATURE THERMOPLASTIC, GLASS FILLED, UL 94V-0, COLOR: NATURE(WHITE)
 TERMINAL- COPPER ALLOY.
 FITTING NAIL- COPPER ALLOY
 PICK AND PLACE COVER-HIGH TEMPERATURE THERMOPLASTIC, GLASS FILLED,UL 94V-0, COLOR: NATURE(WHITE)
 3.FINISHES : TERMINAL :48168-XX01:
 TIN MATT PLATED OVER ALL
 THICKNESS :3.05 MICROMETER
 NICKEL UNDERPLATED OVER ALL,
 THICKNESS :1.27 MICROMETER
 48168-XX11:
 GOLD FLASH OVER ALL
 THICKNESS : 0.025 MICROMETER MINIMUM,
 NICKEL UNDERPLATED OVER ALL
 THICKNESS : 1.27 MICROMETER MINIMUM;
 FITTING NAIL :48168-XX01:
 TIN MATT PLATED OVER ALL
 THICKNESS :3.05 MICROMETER
 NICKEL UNDERPLATED OVER ALL,
 THICKNESS :1.27 MICROMETER
 48168-XX11:
 GOLD FLASH OVER ALL
 THICKNESS : 0.025 MICROMETER MINIMUM,
 NICKEL UNDERPLATED OVERALL
 THICKNESS : 1.27 MICROMETER MINIMUM;

4.PRODUCT SPECIFICATION REFER TO PS-48126-001
 5.DRAWING PACKAGING REFER TO PK-48168-001
 6.TEST SUMMARY REFER TO TS-48210-001
 7.MATED WITH 48126-SERIES
 8.P/N LEGEND 48168-XXX1

NO OF CKTS PLATING
 0:MATT TIN
 1:GOLD FLASH OVER ALL

9.LEAD-FREE AND ROHS COMPLIANCE

RELEASED EC NO: SHH2005-0240 DRW:NEKA001 CHKD: APPR:WMSCHANG 2005/11/03 2005/11/03 2005/11/04	QUALITY SYMBOLS ▽=0 ◻=0	GENERAL TOLERANCES (UNLESS SPECIFIED)		DIMENSION STYLE IN/MM		SCALE 6:1	DESIGN UNITS INCH	THIRD ANGLE PROJECTION	
		4 PLACES ± --- ± ---	mm INCH	DRAWN BY BERNIE	DATE 2005/01/25	TITLE MDC BOARD TO BOARD RECEPTACLE CONNECTOR (LEAD-FREE VERSION)			
		3 PLACES ± --- ± ---		CHECKED BY ERIC	DATE 2005/01/25	MOLEX MOLEX INCORPORATED			
		2 PLACES ± 0.25 ± --- 1 PLACE ± 0.25 ± --- ANGULAR ± 3 °		APPROVED BY WILSON	DATE 2005/01/25	MATERIAL NO. SEE NOTES	DOCUMENT NO. SD-48168-001	SHEET NO. 1 OF 1	
DRAFT WHERE APPLICABLE MUST REMAIN WITHIN DIMENSIONS		SIZE A3		THIS DRAWING CONTAINS INFORMATION THAT IS PROPRIETARY TO MOLEX INCORPORATED AND SHOULD NOT BE USED WITHOUT WRITTEN PERMISSION					