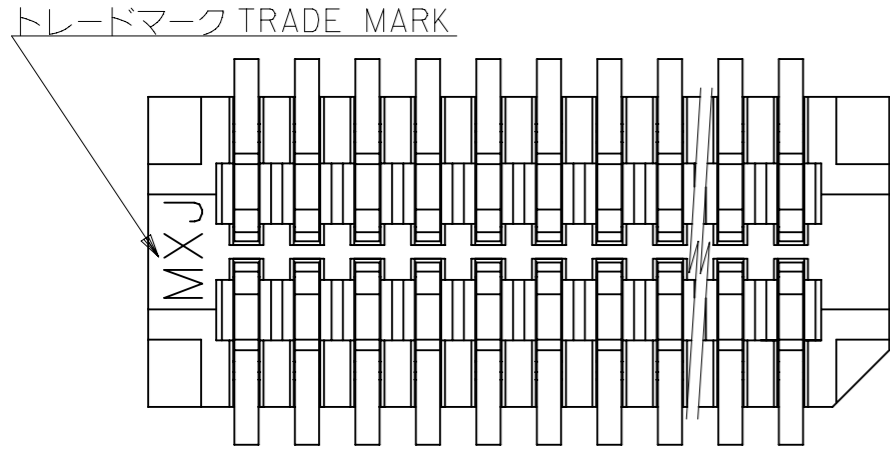


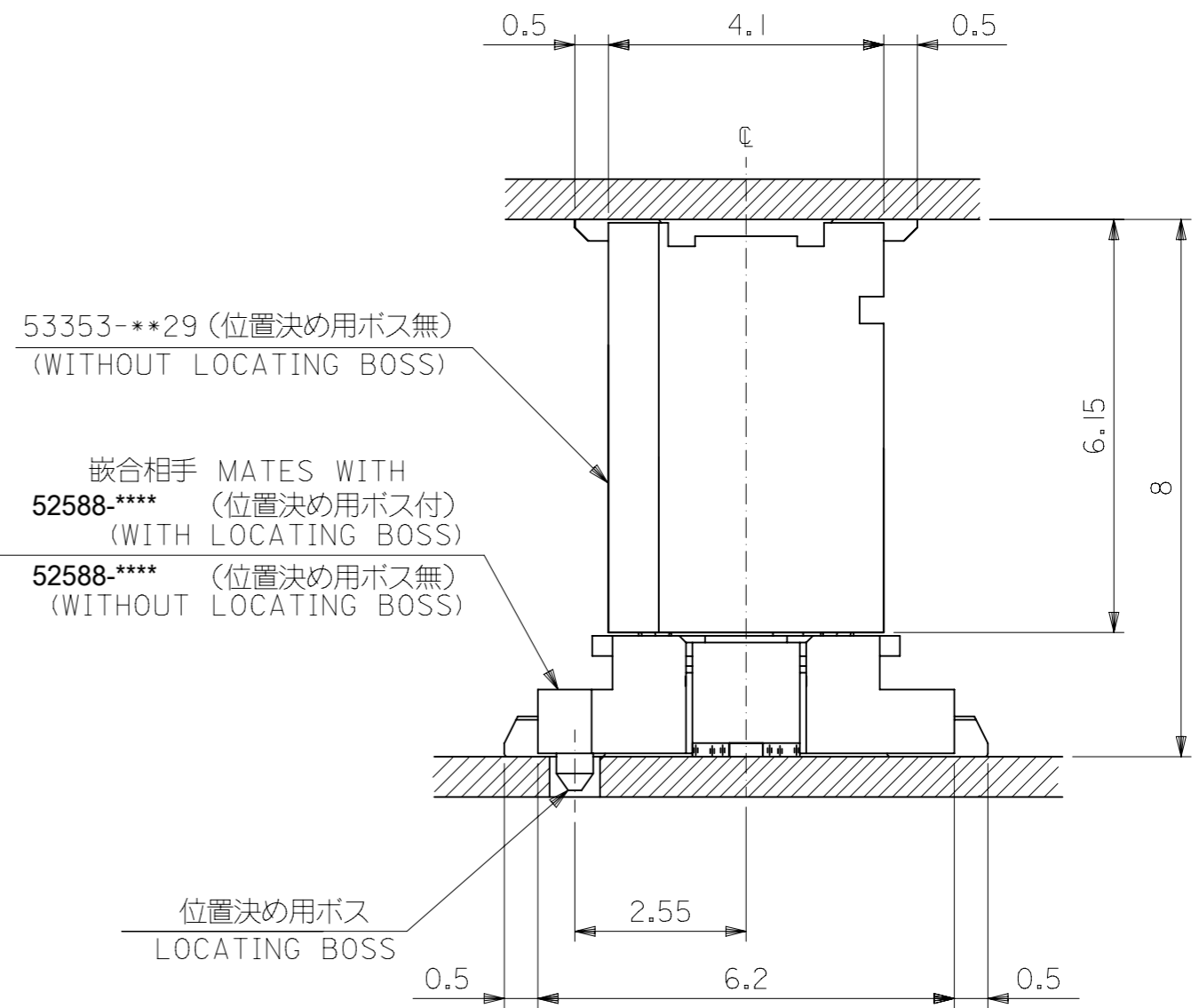
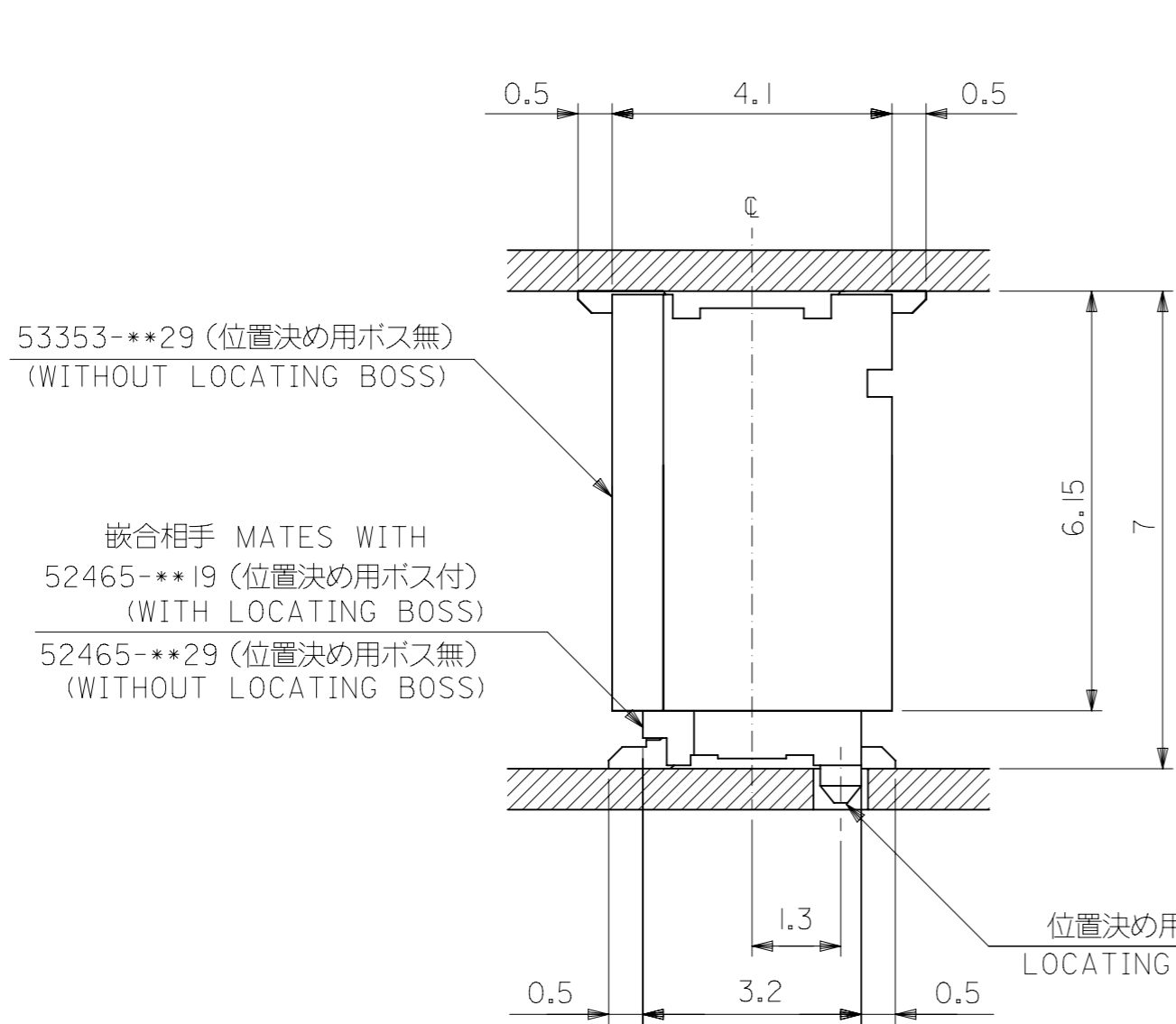
- 注記 NOTES
1. 嵌合相手: 52465, 52588 シリーズ
MATES WITH: 52465, 52588 SERIES
 2. ウェハーの ϕ から隣接するピンの ϕ 迄の位置を示す。
SHOW POSITION FROM ϕ OF WAFER TO ϕ OF ADJACENT PINS.
 3. ELV 及び RoHS 適合品。
ELV AND RoHS COMPLIANT.
 4. テール平坦度: 0.1MM MAX.
COPLANARITY: 0.1MM MAXIMUM

0.8	5.8	4.9	3.2	53353-1071	10
D	C	B	(A)	EMBOSSED PACKAGE オーダー番号 ORDER NO.	極数 CIRCUIT
CONNECTOR SERIES No. : 53353-**29					



THIS DRAWING CONTAINS INFORMATION THAT IS PROPRIETARY TO MOLEX ELECTRONIC TECHNOLOGIES, LLC AND SHOULD NOT BE USED WITHOUT WRITTEN PERMISSION

DIMENSION UNITS	SCALE	CURRENT REV DESC: REMOVED OBSOLETE PART NUMBERS AS PER PCN#510812	molex		
mm	NTS	EC NO: 728320	0.8 B/B CONN. WAFER ASSY ST. SMT(WITHOUT BOSS)		
GENERAL TOLERANCES (UNLESS SPECIFIED)		DRWN: LIKITV 2022/11/10	PRODUCT CUSTOMER DRAWING		
ANGULAR TOL	± 3.0°	CHK'D: GGA 2022/12/12	DOCUMENT NUMBER		
4 PLACES	± 0.2	APPR: GGA 2022/12/12	SD-53353-003		DOC TYPE DOC PART REVISION
3 PLACES	± 0.25	INITIAL REVISION:	PSD 001 C1		
2 PLACES	± 0.3	DRWN: YWADA 2004/03/05	MATERIAL NUMBER		
1 PLACE	±	APPR: MSASAO 2004/03/11	CUSTOMER		
0 PLACES	±	THIRD ANGLE PROJECTION	SERIES		SHEET NUMBER
DRAFT WHERE APPLICABLE MUST REMAIN WITHIN DIMENSIONS		DRAWING	SERIES	MATERIAL NUMBER	CUSTOMER
		A3-SIZE	53353	SEE CHART	GENERAL MARKET



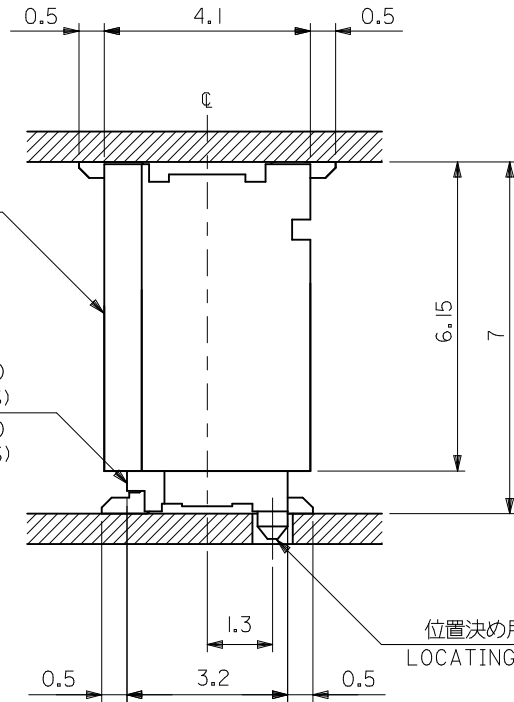
嵌合状態図 (参考)
MATED DRAWING (REF.)

CONNECTOR SERIES No. : 53353-**29

THIS DRAWING CONTAINS INFORMATION THAT IS PROPRIETARY TO MOLEX ELECTRONIC TECHNOLOGIES, LLC AND SHOULD NOT BE USED WITHOUT WRITTEN PERMISSION									
DIMENSION UNITS mm		SCALE NTS		CURRENT REV DESC: REMOVED OBSOLETE PART NUMBERS AS PER PCN#510812					
GENERAL TOLERANCES (UNLESS SPECIFIED)				<p>molex</p> <p>0.8 B/B CONN. WAFER ASSY ST. SMT(WITHOUT BOSS)</p> <p>PRODUCT CUSTOMER DRAWING</p>					
ANGULAR TOL		± 3.0 °							
4 PLACES		± 0.2							
3 PLACES		± 0.25							
2 PLACES		± 0.3							
1 PLACE		±		EC NO: 728320		2022/11/10		DRWN: LIKITV	
0 PLACES		±		APP: GGA		2022/12/12		APPR: GGA	
INITIAL REVISION:				DRWN: YWADA		2004/03/05		DOCUMENT NUMBER	
DRAFT WHERE APPLICABLE MUST REMAIN WITHIN DIMENSIONS				APP: MSASAO		2004/03/11		SD-53353-003	
THIRD ANGLE PROJECTION		DRAWING		SERIES		MATERIAL NUMBER		CUSTOMER	
A3-SIZE		A3-SIZE		53353		SEE CHART		GENERAL MARKET	
SHEET NUMBER		2 OF 2		DOC TYPE		DOC PART		REVISION	
				PSD		001		C1	

53353-**29 (位置決め用ボス無)
(WITHOUT LOCATING BOSS)

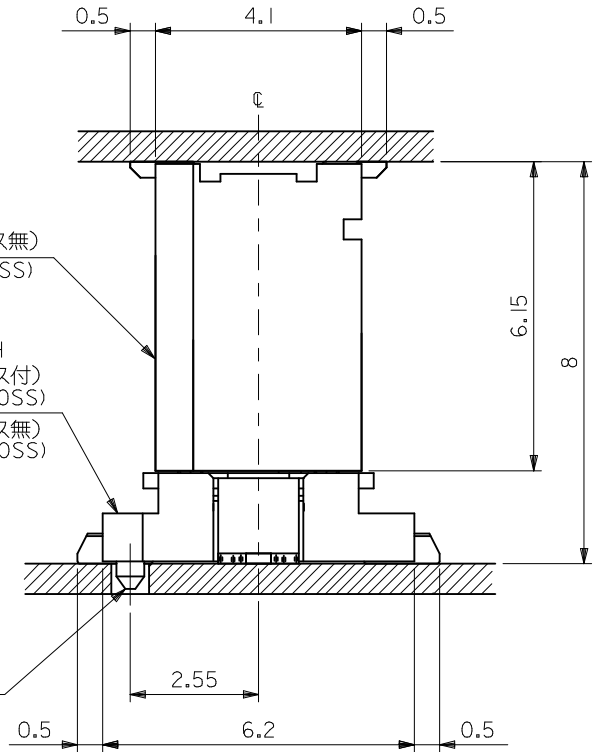
嵌合相手 MATES WITH
52465-**19 (位置決め用ボス付)
(WITH LOCATING BOSS)
52465-**29 (位置決め用ボス無)
(WITHOUT LOCATING BOSS)



53353-**29 (位置決め用ボス無)
(WITHOUT LOCATING BOSS)

嵌合相手 MATES WITH
52588-**** (位置決め用ボス付)
(WITH LOCATING BOSS)
52588-**** (位置決め用ボス無)
(WITHOUT LOCATING BOSS)

位置決め用ボス
LOCATING BOSS



嵌合状態図 (参考)

MATED DRAWING (REF.)

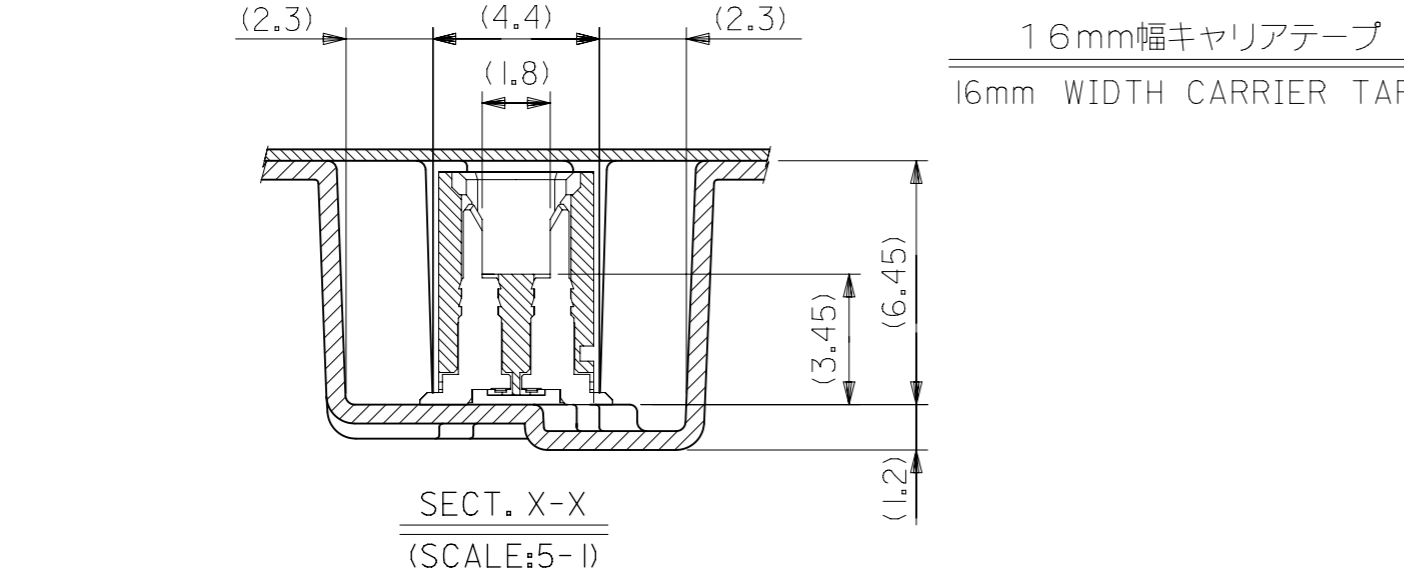
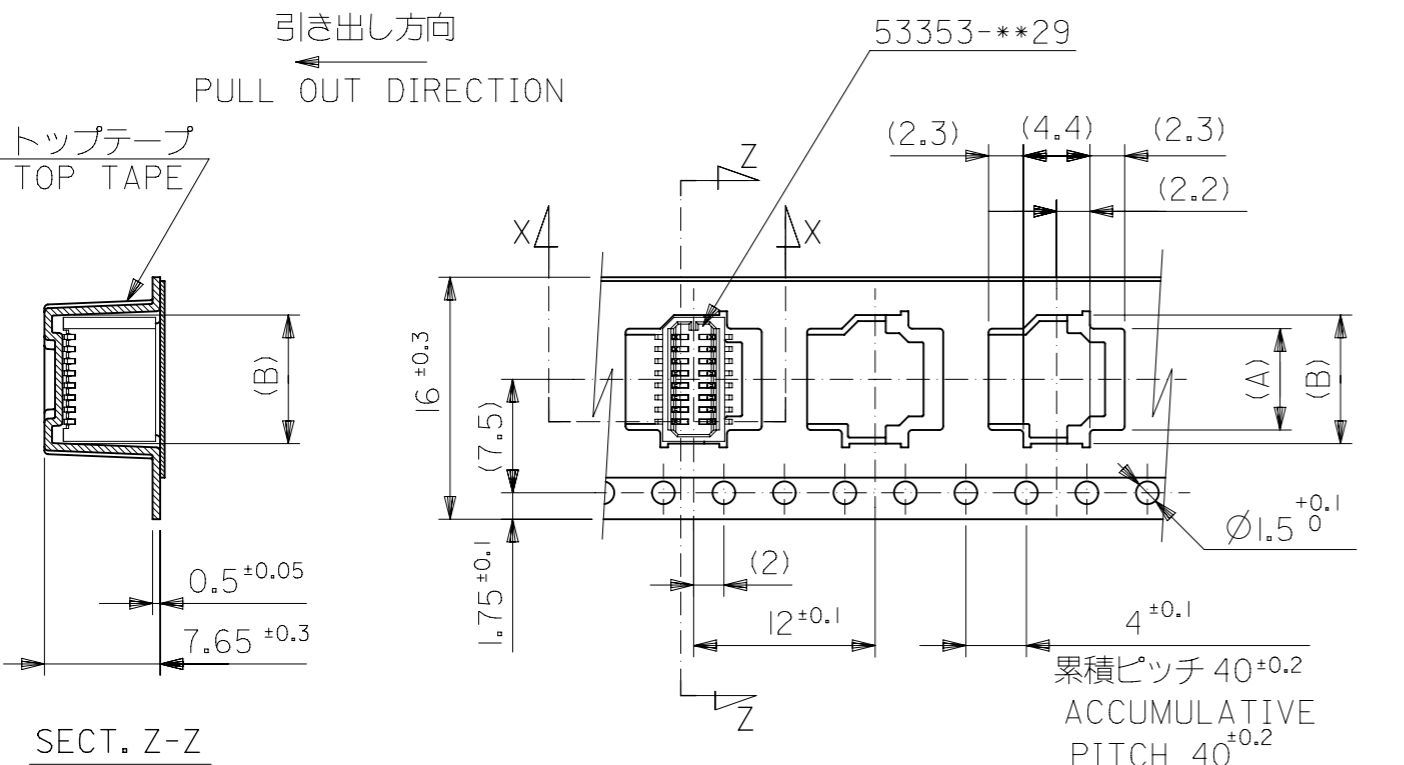
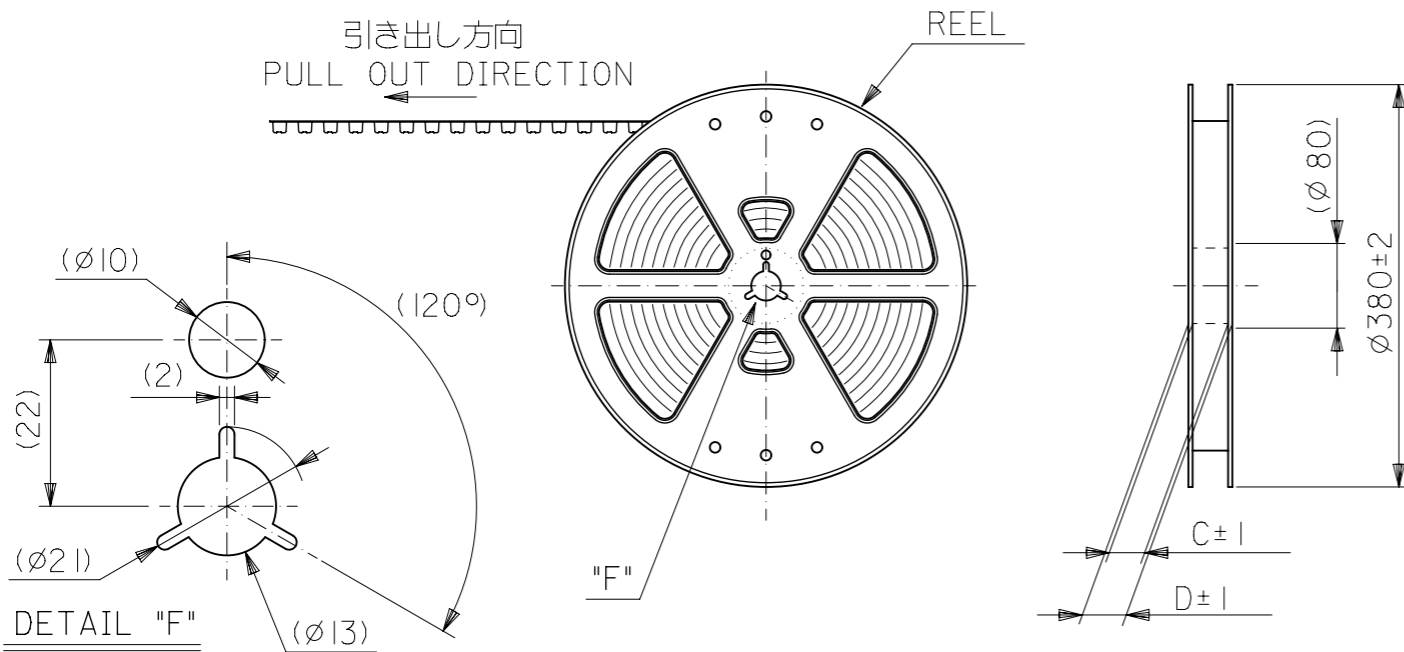
REVISED EC NO: J2018-0012 DRAWN:GES CHKD: APPR:MSASAO 2017/07/24 2017/07/28	DESCRIPTION	GENERAL TOLERANCES (UNLESS SPECIFIED)	DIMENSION STYLE
	REV	0.25 UNDER	MM ONLY
		0.25 OVER 0.5 UNDER	DRAWN BY
		0.5 OVER 1.0 UNDER	DATE
		10 OVER 10 UNDER	CHECKED BY
		30 OVER 30 UNDER	DATE
		ANGULAR ±--- °	APPROVED BY
		DATE	
		MATERIAL NO.	
		SEE CHART	

SCALE	DESIGN UNITS	THIRD ANGLE PROJECTION
---	METRIC	◎ □
TITLE		
0.8 B/B CONN. WAFER ASSY ST. SMT(WITHOUT BOSS)		
DOCUMENT NO.		
SD-53353-003		
SHEET NO.		
2 OF 2		

CONNECTOR SERIES No. : 53353-**29	
DRAWN BY	DATE
Y.WADA	2004/3/4
CHECKED BY	DATE
M.SASAO	2004/3/4
APPROVED BY	DATE
M.SASAO	2004/3/4
MATERIAL NO.	
SEE CHART	

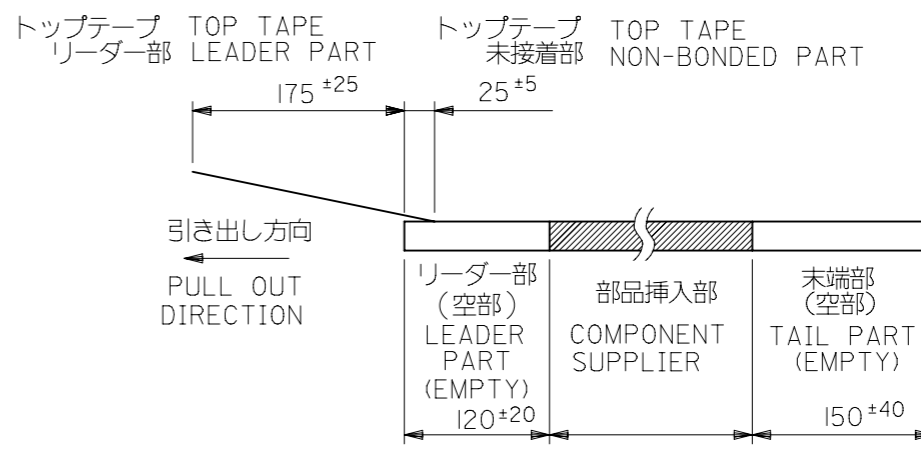
CONNECTOR SERIES No. : 53353-**29		
SCALE	DESIGN UNITS	THIRD ANGLE PROJECTION
---	METRIC	◎ □
TITLE		
0.8 B/B CONN. WAFER ASSY ST. SMT(WITHOUT BOSS)		
DOCUMENT NO.		
SD-53353-003		
SHEET NO.		
2 OF 2		

THIS DRAWING CONTAINS INFORMATION THAT IS PROPRIETARY TO MOLEX ELECTRONIC TECHNOLOGIES, LLC AND SHOULD NOT BE USED WITHOUT WRITTEN PERMISSION

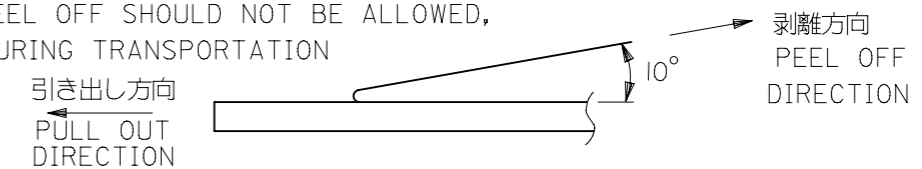


注記 NOTES

1. 梱包数量：1000個/リール NUMBER OF CONNECTORS:1000PCS/REEL
2. リードテープ長さ LEAD TAPE LENGTH



3. トップテープの剥離強度：(剥離方向は下図参照)
 0. 1~1. 3N {10~130gf} 尚、本規格値は、出荷時に適用。
 (但し、輸送時に剥離が発生しない事。)
 PEELING OFF FORCE OF TOP TAPE
 0. 1~1. 3N {10~130gf} (PEELING DIRECTION AS SHOWN IN FOLLOWING FIG.)
 THIS REQUIREMENT SHOULD BE APPLIED AT SHIPMENT
 PEEL OFF SHOULD NOT BE ALLOWED,
 DURING TRANSPORTATION

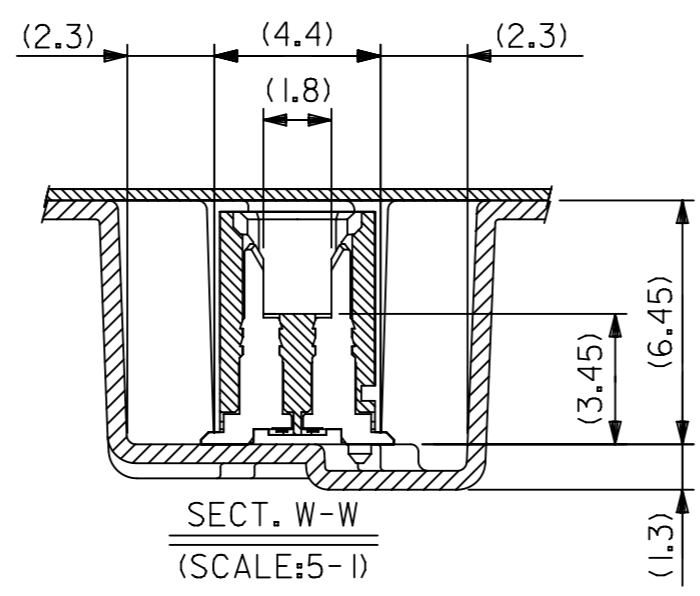
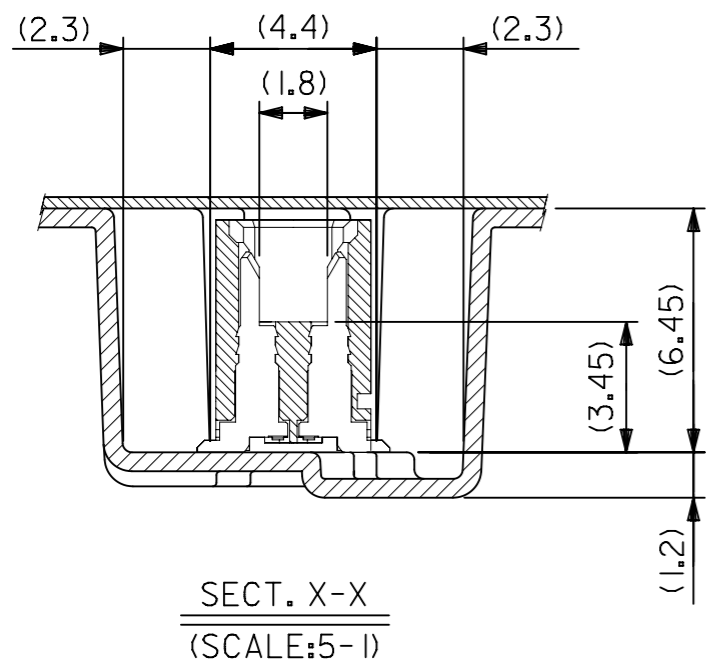
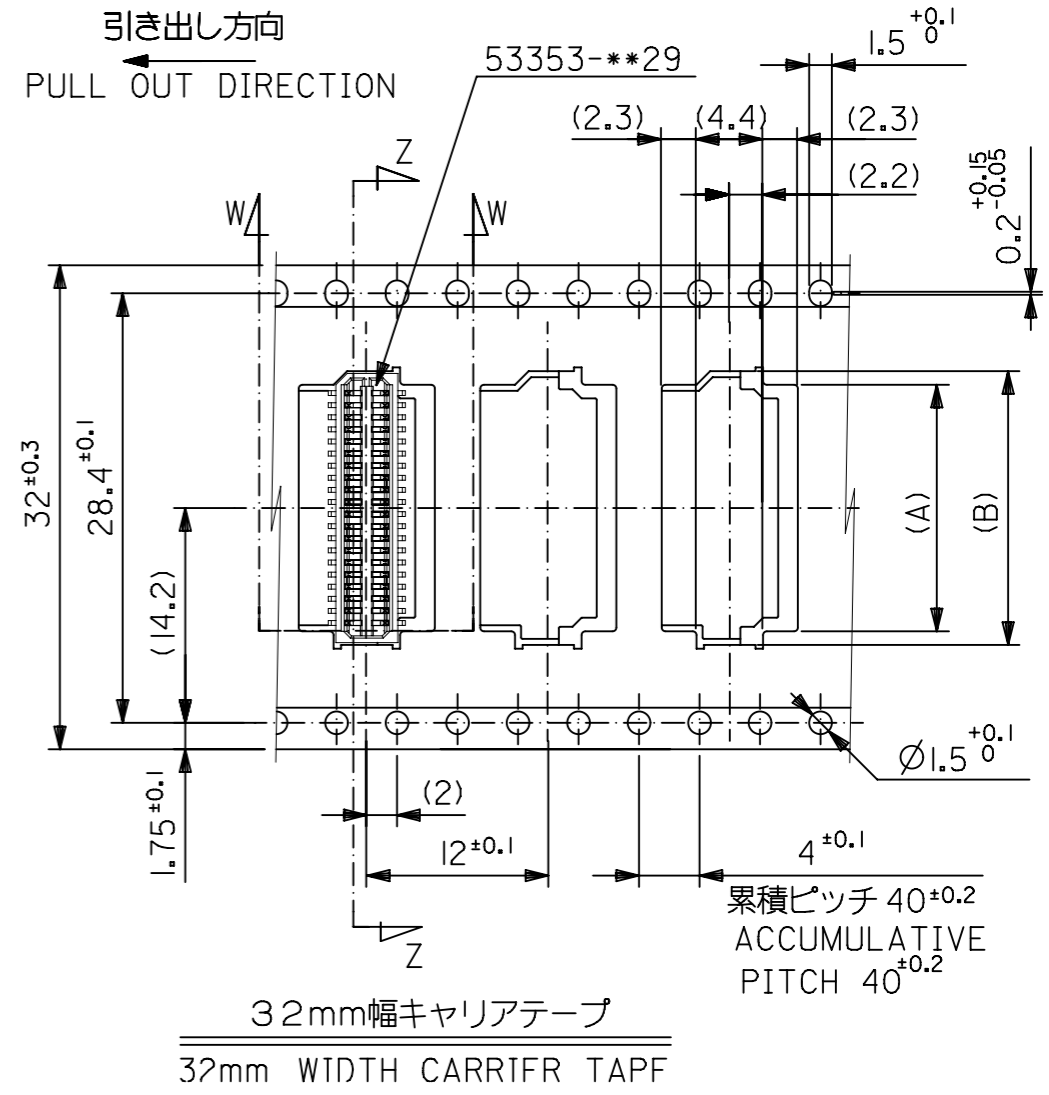
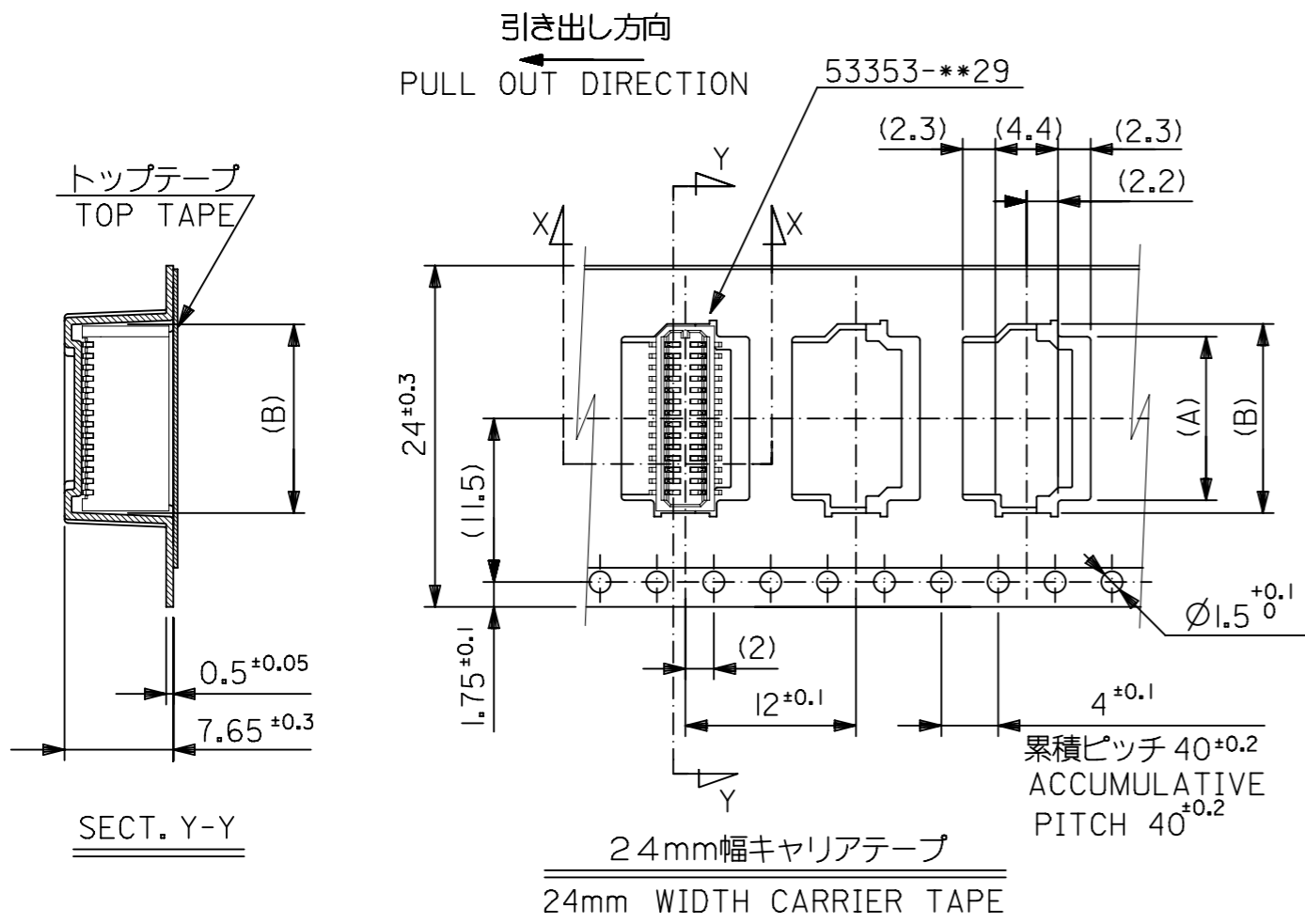


4. 材料 MATERIAL
 キャリアテープ：ポリプロピレン (PP) CARRIER TAPE:POLYPROPYLENE
 トップテープ：PET, PE, PEF TOP TAPE:PET,PE,PEF
 リール：ポリスチレン (PS) REEL:POLYSTYRENE(PS)
 <リサイクル材を含む> <RECYCLE MATERIAL CONTAINED>

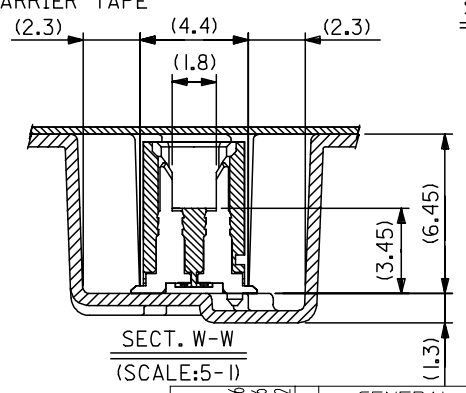
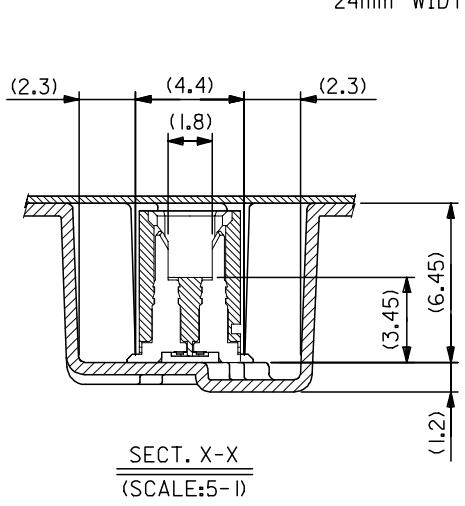
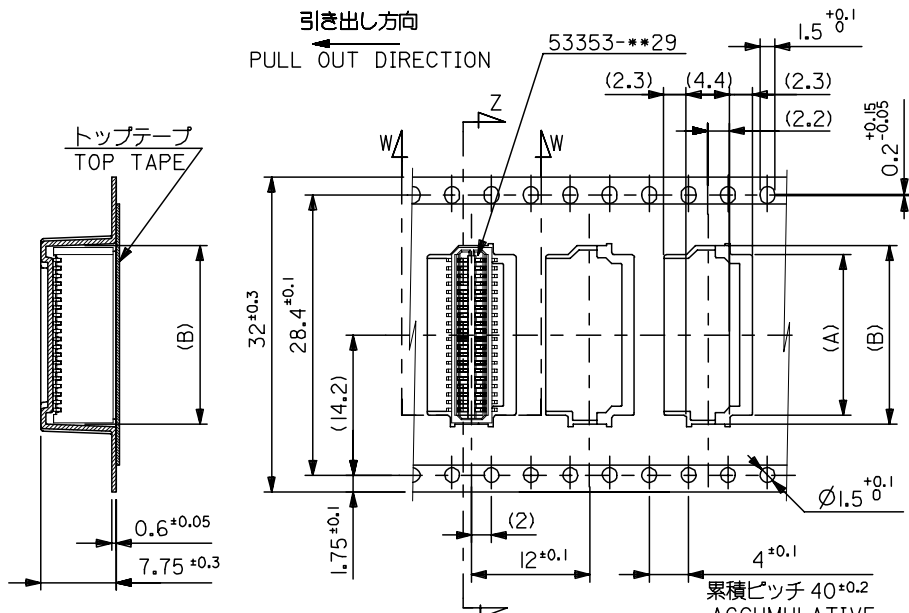
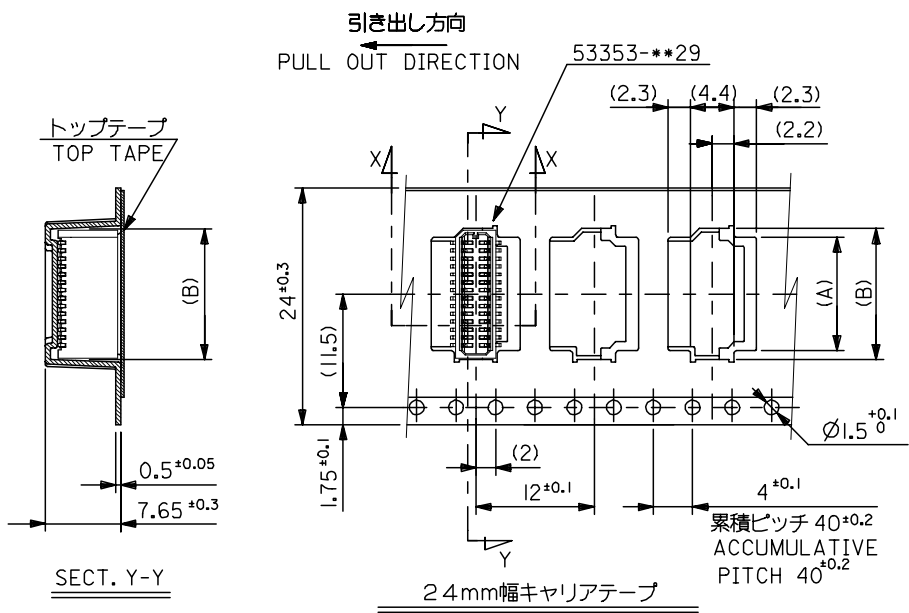
5. 本製品は53353-***91の鉛フリー品である。
 THIS PRODUCT IS LEAD FREE OF 53353-***91.

16	21.4	17.4	6.1	4.3	53353-1071	10
キャリアテープ幅 CARRIER TAPE WIDTH	D	C	(B)	(A)	MATERIAL NO.	極数 CIRCUIT
					MODEL NO.	53353-***71

THIS DRAWING CONTAINS INFORMATION THAT IS PROPRIETARY TO MOLEX ELECTRONIC TECHNOLOGIES, LLC AND SHOULD NOT BE USED WITHOUT WRITTEN PERMISSION						
DIMENSION UNITS	SCALE	CURRENT REV DESC: REMOVED OBSOLETE PART NUMBERS AS PER PCN#510812.				
mm	NTS					
GENERAL TOLERANCES (UNLESS SPECIFIED)						
ANGULAR TOL	± 3.0°	0.8 BTB CONN WAFER ASSY ST SMT WITHOUT BOSS EMBTP PKG -LEAD FREE-				
4 PLACES	± 0.2					
3 PLACES	± 0.25					
2 PLACES	± 0.3					
1 PLACE	±					
0 PLACES	±	PRODUCT CUSTOMER DRAWING				
DRAFT WHERE APPLICABLE MUST REMAIN WITHIN DIMENSIONS		THIRD ANGLE PROJECTION	DRAWING	SERIES	MATERIAL NUMBER	CUSTOMER
			A3-SIZE	53353	SEE CHART	GENERAL MARKET
					DOCUMENT NUMBER	DOC TYPE DOC PART REVISION
					SD-53353-004	PSD 001 A1
						SHEET NUMBER
						1 OF 2



THIS DRAWING CONTAINS INFORMATION THAT IS PROPRIETARY TO MOLEX ELECTRONIC TECHNOLOGIES, LLC AND SHOULD NOT BE USED WITHOUT WRITTEN PERMISSION		MODEL NO. 53353-***71	
DIMENSION UNITS mm	SCALE NTS	CURRENT REV DESC: REMOVED OBSOLETE PART NUMBERS AS PER PCN#510812.	
GENERAL TOLERANCES (UNLESS SPECIFIED)		molex	
ANGULAR TOL ± 3.0°			
4 PLACES ± 0.2	EC NO: 728320	0.8 BTB CONN WAFER ASSY ST SMT WITHOUT BOSS EMBTP PKG -LEAD FREE-	
3 PLACES ± 0.25	DRWN: LIKITV 2022/11/10	PRODUCT CUSTOMER DRAWING	
2 PLACES ± 0.3	CHK'D: GGA 2022/12/12	DOCUMENT NUMBER	
1 PLACE ±	APPR: GGA 2022/12/12	DOC TYPE DOC PART REVISION	
0 PLACES ±	INITIAL REVISION:	SD-53353-004 PSD 001 A1	
DRAFT WHERE APPLICABLE MUST REMAIN WITHIN DIMENSIONS	DRWN: YWADA 2004/03/05	MATERIAL NUMBER	
THIRD ANGLE PROJECTION	APPR: MSASAO 2004/03/11	CUSTOMER	
DRAWING	SERIES	SHEET NUMBER	
A3-SIZE	53353	SEE CHART GENERAL MARKET 2 OF 2	



32mm幅キャリアテープ		32mm WIDTH CARRIER TAPE				
CARRIER TAPE WIDTH	D	C	(B) (A)			
32	37.4	33.4	18.1	16.3	53353-4071	40
			16.5	14.7	53353-3671	36
24	29.4	25.4	14.1	12.3	53353-3071	30
			13.3	11.5	53353-2871	28
			10.9	9.1	53353-2271	22
			10.1	8.3	53353-2071	20
			9.3	7.5	53353-1871	18
キャリアテープ幅 CARRIER TAPE WIDTH		D C (B) (A)		MATERIAL NO.		極数 CIRCUIT

REVISED EC NO: J2005-2159 DRAWN: KENSUJUKI CHK'D: NUKITA APPR: NUKITA 2005/01/26 2005/01/26 2005/02/02	GENERAL TOLERANCES (UNLESS SPECIFIED)		DIMENSION STYLE	SCALE	DESIGN UNITS	THIRD ANGLE PROJECTION	
	10 UNDER ±0.2		MM ONLY	---	METRIC	☉ □	
	10 OVER 30 UNDER ±0.25		DRAWN BY	DATE	TITLE		
	30 OVER ±0.3		YWADA	2004/03/04	0.8 BTB CONN WAFER ASSY ST SMT WITHOUT BOSS EMBTP PKG -LEAD FREE-		
	ANGULAR ±3°		CHECKED BY	DATE	MOLEX INCORPORATED		
DRAFT WHERE APPLICABLE MUST REMAIN WITHIN DIMENSIONS		MSASAO	2004/03/04	APPROVED BY		DATE	
		MSASAO	2004/03/04	MATERIAL NO.		DOCUMENT NO.	
		SEE CHART		SD-53353-004		SHEET NO. 2 OF 2	
THIS DRAWING CONTAINS INFORMATION THAT IS PROPRIETARY TO MOLEX INCORPORATED AND SHOULD NOT BE USED WITHOUT WRITTEN PERMISSION							