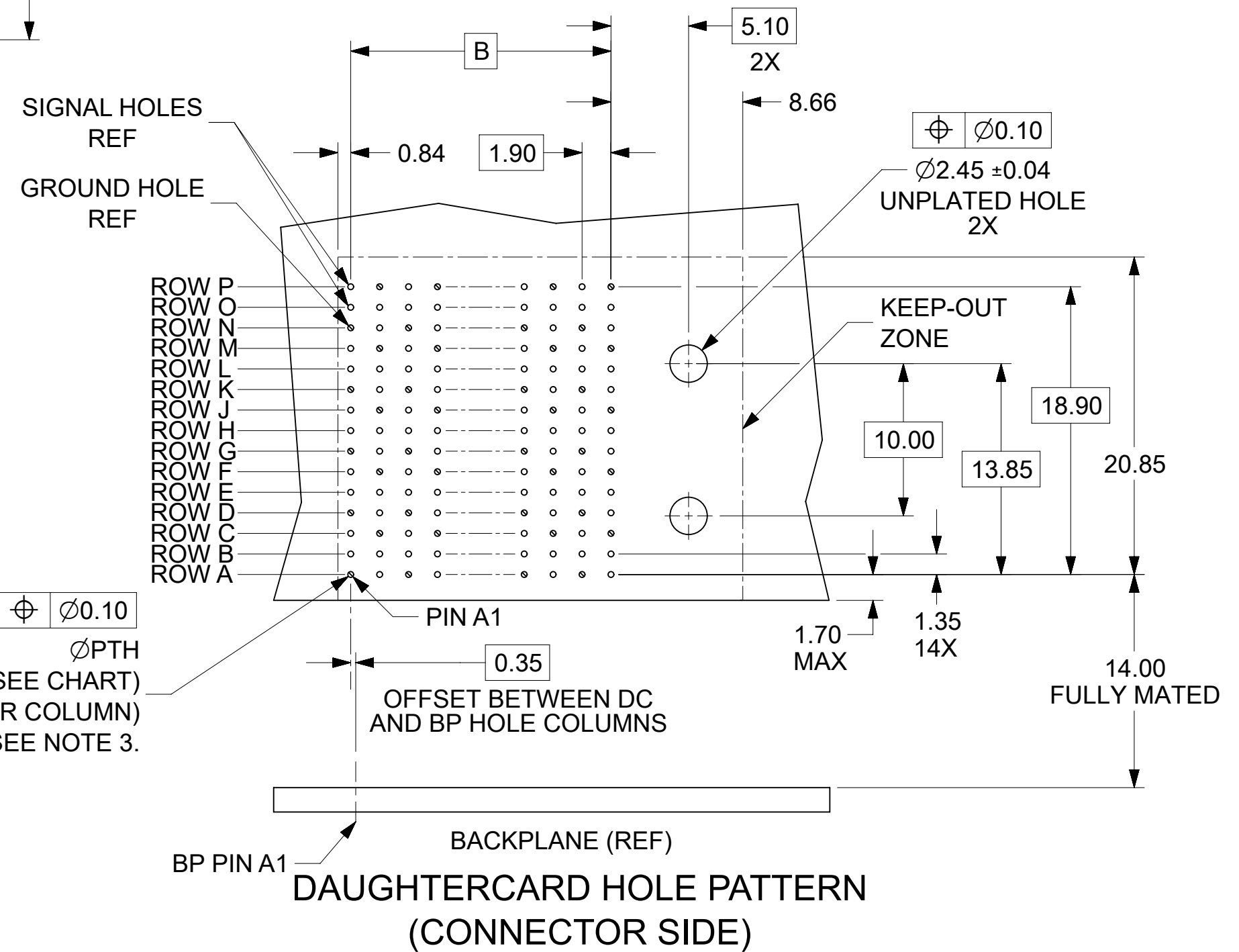
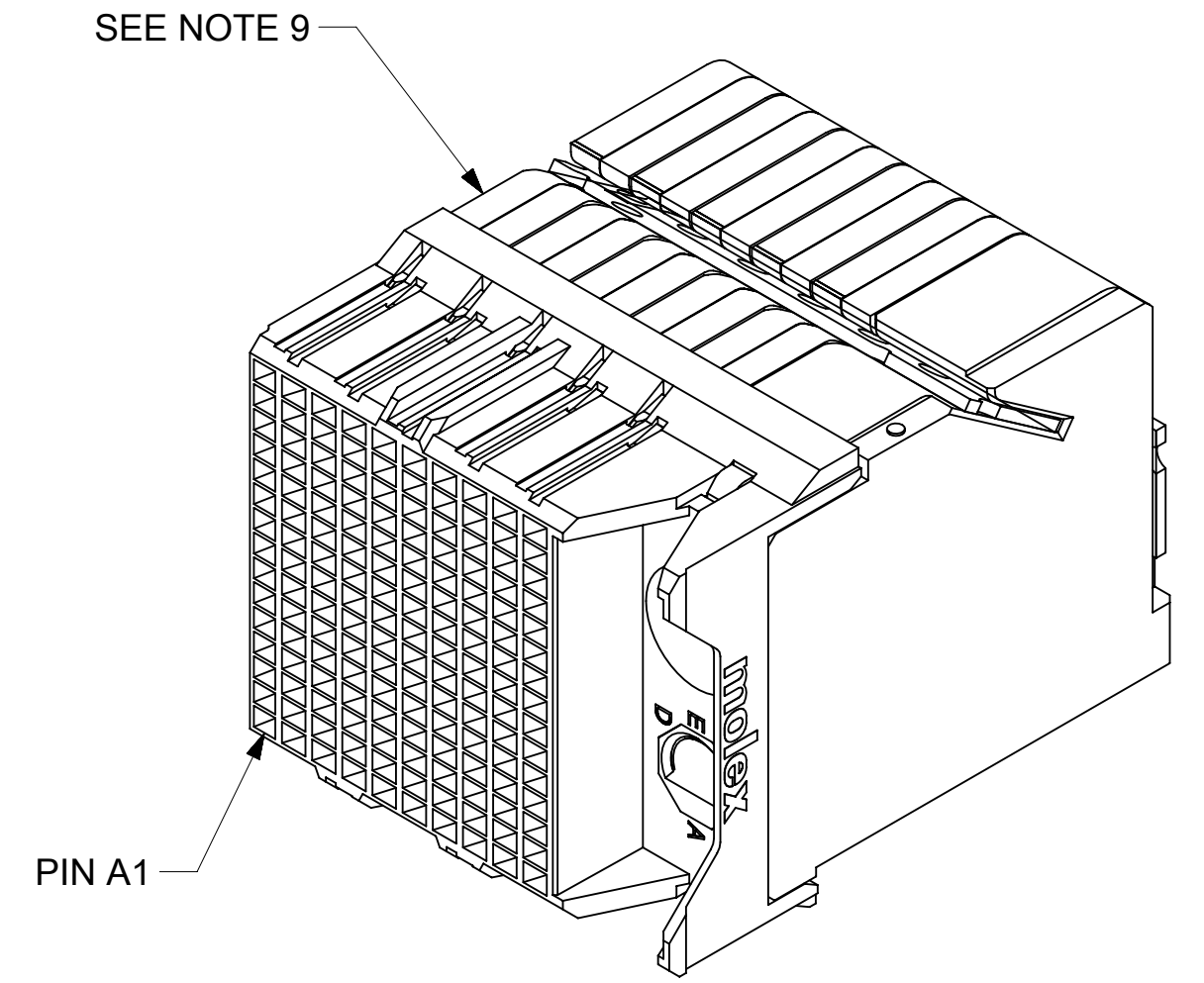
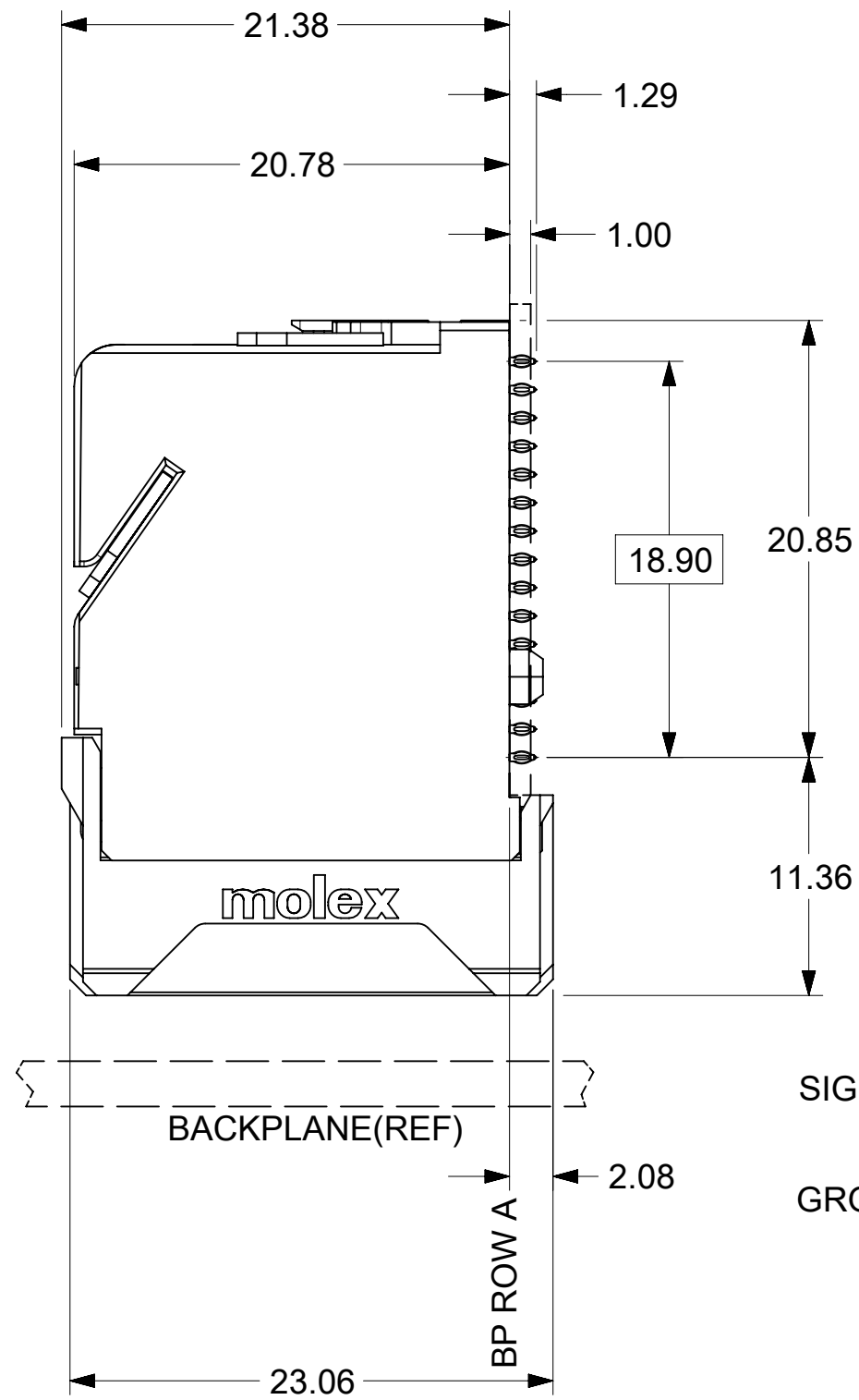


KEY SHOWN IN POSITION "A"



NOTES:

1. MATERIALS: HOUSING - LIQUID CRYSTAL POLYMER (LCP), GLASS-FILLED, UL94V-0  
TERMINALS - HIGH PERFORMANCE COPPER ALLOY
2. FINISH: 30µIN MIN SELECTIVE GOLD IN CONTACT AREA, SELECTIVE TIN  
ON PCB TAILS. NICKEL OVERALL.
3. REFER TO MOLEX PRODUCT SPEC PS-76060-999 FOR PERFORMANCE SPECIFICATIONS  
AND ADDITIONAL PCB INFORMATION.
4. EACH SIGNAL WAFER CONTAINS 2 COLUMNS OF TERMINALS.
5. PRODUCT IS PACKAGED PER PK-70873-611.
6. THIS PART CONFORMS TO CLASS B REQUIREMENTS OF COSMETIC SPEC PS-45499-002.
7. REFER TO MOLEX SALES DRAWING SD-76055-003 FOR THE MATING HEADERS.
8. REFER TO MOLEX PCB MOUNTING GUIDE AS 76060-990 FOR ANTIPAD AND ROUTING  
RECOMMENDATIONS.
9. PART NUMBER 76060-5120 SHOWN ON DRAWING. KEYING FEATURES WILL CHANGE  
WITH COLUMN SIZE.
10. MINIMUM BOARD THICKNESS IS 1.00 mm FOR COMPLIANT PIN FUNCTIONALITY.
11. WHEN USING MOLEX SUPPLIED #2-32 SCREW 73726-0000 (9.50mm ±0.38  
THREADABLE SCREW LENGTH), THE MAXIMUM BOARD THICKNESS IS 4.4mm.
12. MARKING: LOCATED APPROXIMATELY AS SHOWN. PART NUMBER AND DATE CODE.

THIS DRAWING CONTAINS INFORMATION THAT IS PROPRIETARY TO MOLEX ELECTRONIC TECHNOLOGIES, LLC AND SHOULD NOT BE USED WITHOUT WRITTEN PERMISSION									
DIMENSION UNITS		SCALE		CURRENT REV DESC: REMASTERED TO NX					
mm		NTS							
GENERAL TOLERANCES (UNLESS SPECIFIED)									
ANGULAR TOL ± 0.5°				EC NO: 705090 DRWN: SKANDB 2021/09/27 CHK'D: VINODM3 2022/02/17 APPR: LZENG 2022/05/13					
4 PLACES ±				INITIAL REVISION: DRWN: MCARRANZA 2007/07/11 APPR: JLAURX 2007/07/11					
3 PLACES ±									
2 PLACES ± 0.13				PRODUCT CUSTOMER DRAWING DOCUMENT NUMBER: SD-76060-004 DOC TYPE: PSD DOC PART: 001 REVISION: K					
1 PLACE ± 0.25									
0 PLACES ±				MATERIAL NUMBER		CUSTOMER		SHEET NUMBER	
DRAFT WHERE APPLICABLE MUST REMAIN WITHIN DIMENSIONS				THIRD ANGLE PROJECTION		DRAWING		SERIES	
				C-SIZE		76060		SEE TABLE	
				GENERAL MARKET		GENERAL MARKET		1 OF 2	

MATERIAL NUMBER	# OF COLUMNS	# OF DIFF PAIR	DIM "A" MAX	DIM "B"	PTHØ
76060-***0	10	50	26.60	17.10	0.46 ±0.05
76060-***2	12	60	30.40	20.90	
76060-***4	14	70	34.20	24.70	
76060-***6	16	80	38.00	28.50	
76060-***0	10	50	26.60	17.10	0.39 ±0.05
76060-***2	12	60	30.40	20.90	
76060-***4	14	70	34.20	24.70	
76060-***6	16	80	38.00	28.50	

**76060-\*\*\*\***

MODULE & TAIL PLATING TYPE  
5 = RIGHT GUIDED LEAD-FREE

POLARIZATION KEY ORIENTATION

- 0 = NO KEY  
 1 = A    5 = E  
 2 = B    6 = F  
 3 = C    7 = G  
 4 = D    8 = H

- # OF COLUMNS  
 10 = 10 COL 0.46 PTH  
 12 = 12 COL 0.46 PTH  
 14 = 14 COL 0.46 PTH  
 16 = 16 COL 0.46 PTH  
 20 = 10 COL 0.39 PTH  
 22 = 12 COL 0.39 PTH  
 24 = 14 COL 0.39 PTH  
 26 = 16 COL 0.39 PTH

THIS DRAWING CONTAINS INFORMATION THAT IS PROPRIETARY TO MOLEX ELECTRONIC TECHNOLOGIES, LLC AND SHOULD NOT BE USED WITHOUT WRITTEN PERMISSION										
DIMENSION UNITS		SCALE		CURRENT REV DESC: REMASTERED TO NX			<b>molex</b>			
mm		NTS								
GENERAL TOLERANCES (UNLESS SPECIFIED)				EC NO: 705090 DRWN: SKANDB 2021/09/27 CHK'D: VINODM3 2022/02/17 APPR: LZENG 2022/05/13 INITIAL REVISION: DRWN: JLAURX 2008/06/12 APPR: JLAURX 2010/11/04			IMPACT 100 OHM DC 5 PAIR SIGNAL MODULE GUIDE RIGHT SALES DWG			
		MM	INCH				PRODUCT CUSTOMER DRAWING			
4 PLACES	±		±							
3 PLACES	±		±							
2 PLACES	±	0.13	±							
1 PLACE	±	0.25	±							
0 PLACES	±		±							
ANGULAR TOL		± 0.5 °		DOCUMENT NUMBER			SD-76060-004			
DRAFT WHERE APPLICABLE MUST REMAIN WITHIN DIMENSIONS		THIRD ANGLE PROJECTION		DRAWING		SERIES		MATERIAL NUMBER		
				C-SIZE		76060		SEE TABLE		
DOC TYPE		DOC PART		REVISION		CUSTOMER				
PSD		001		K		GENERAL MARKET				
SHEET NUMBER		2 OF 2								

DOCUMENT STATUS	P1	RELEASE DATE	2022/05/13	03:06:32
-----------------	----	--------------	------------	----------