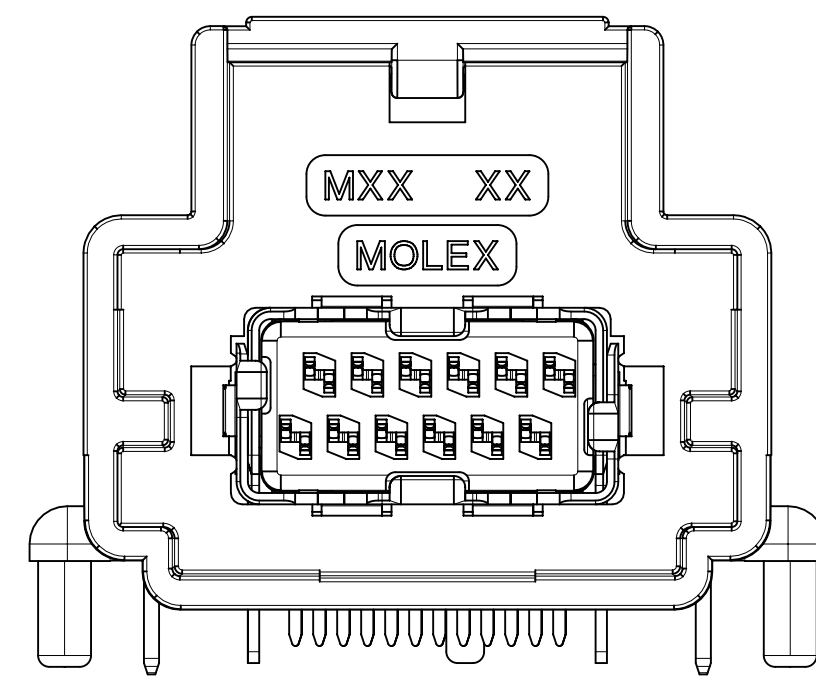


34861-1406
 34861-1206 (SI INSERTS) *NOT QUALIFIED*
 34861-1306 (2 SHIELD TABS)
 34861-2106 (SMT) *NOT QUALIFIED*
 34861-7009 (TERMINAL AND INSERTS CHANGE)
 (2 SHIELD TAB)
 34861-8009 SMT VERSION WITH HS INSERTS
 (NO SHIELD TABS)
 34861-9009 (TERMINAL AND INSERTS CHANGE)
 (2 SHIELD TAB)

KEY OPTION 'A'

COLOR: BLACK

SALEABLE

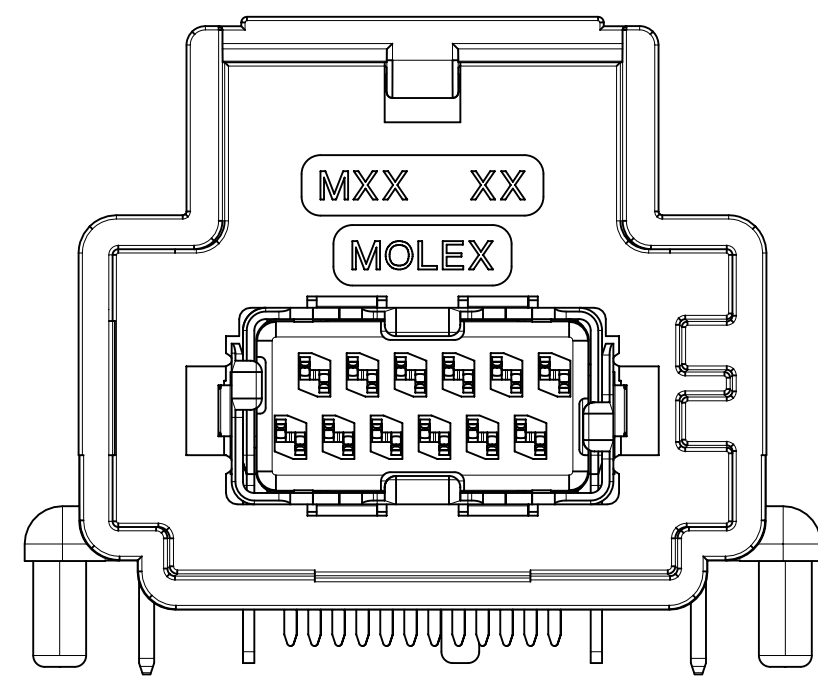


34861-1416
 34861-1216 (SI INSERTS) *NOT QUALIFIED*
 34861-1316 (2 SHIELD TABS)
 34861-2116 (SMT) *NOT QUALIFIED*
 34861-7019 (TERMINAL AND INSERTS CHANGE)
 (2 SHIELD TAB)
 34861-8019 SMT VERSION WITH HS INSERTS
 (NO SHIELD TABS)
 34861-9019 (TERMINAL AND INSERTS CHANGE)
 (2 SHIELD TAB)

KEY OPTION 'B'

COLOR: GRAY

SALEABLE

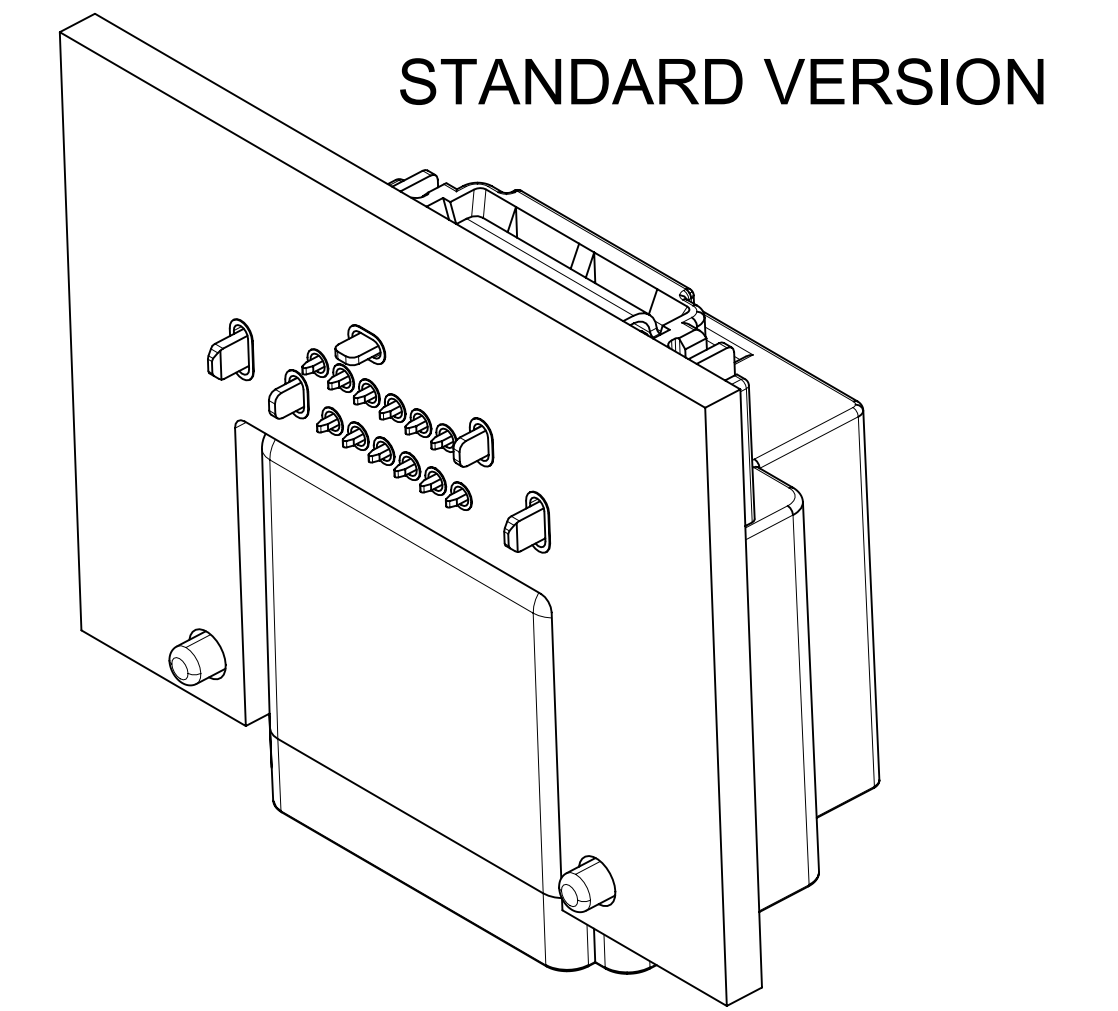
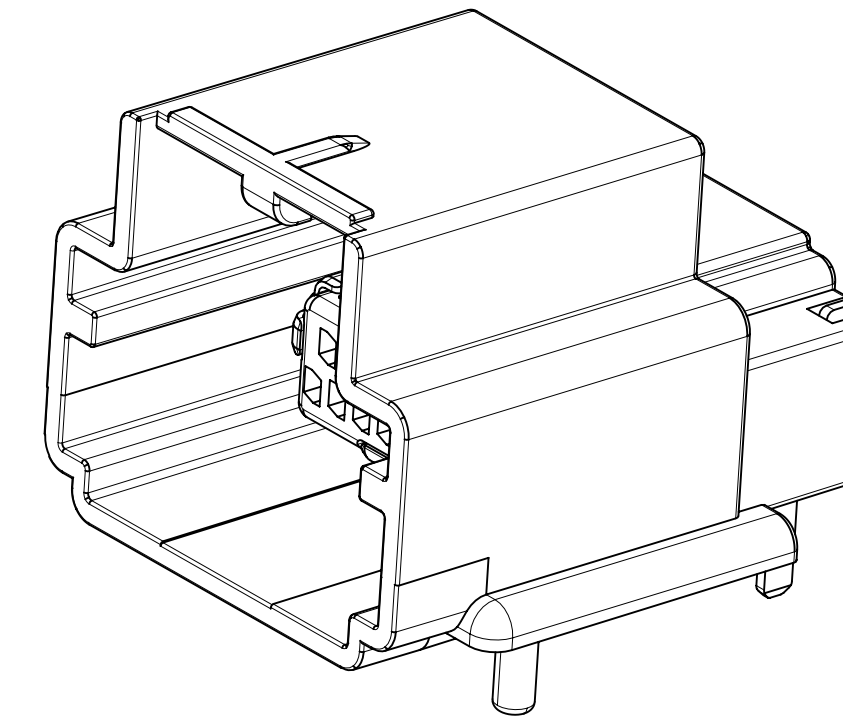


34861-1426
 34861-1226 (SI INSERTS) *NOT QUALIFIED*
 34861-1326 (2 SHIELD TABS)
 34861-2126 (SMT) *NOT QUALIFIED*
 34861-7029 (TERMINAL AND INSERTS CHANGE)
 (2 SHIELD TAB)
 34861-8029 SMT VERSION WITH HS INSERTS
 (NO SHIELD TABS)
 34861-9029 (TERMINAL AND INSERTS CHANGE)
 (2 SHIELD TAB)

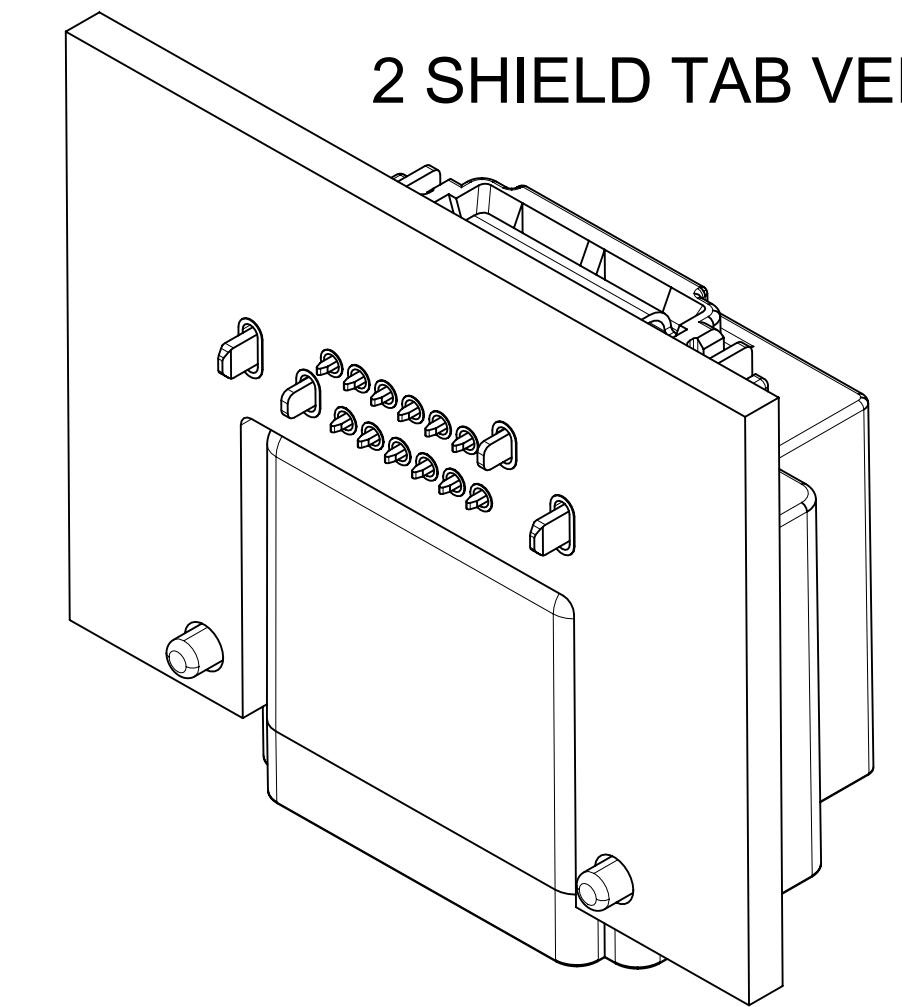
KEY OPTION 'C'

COLOR: BROWN

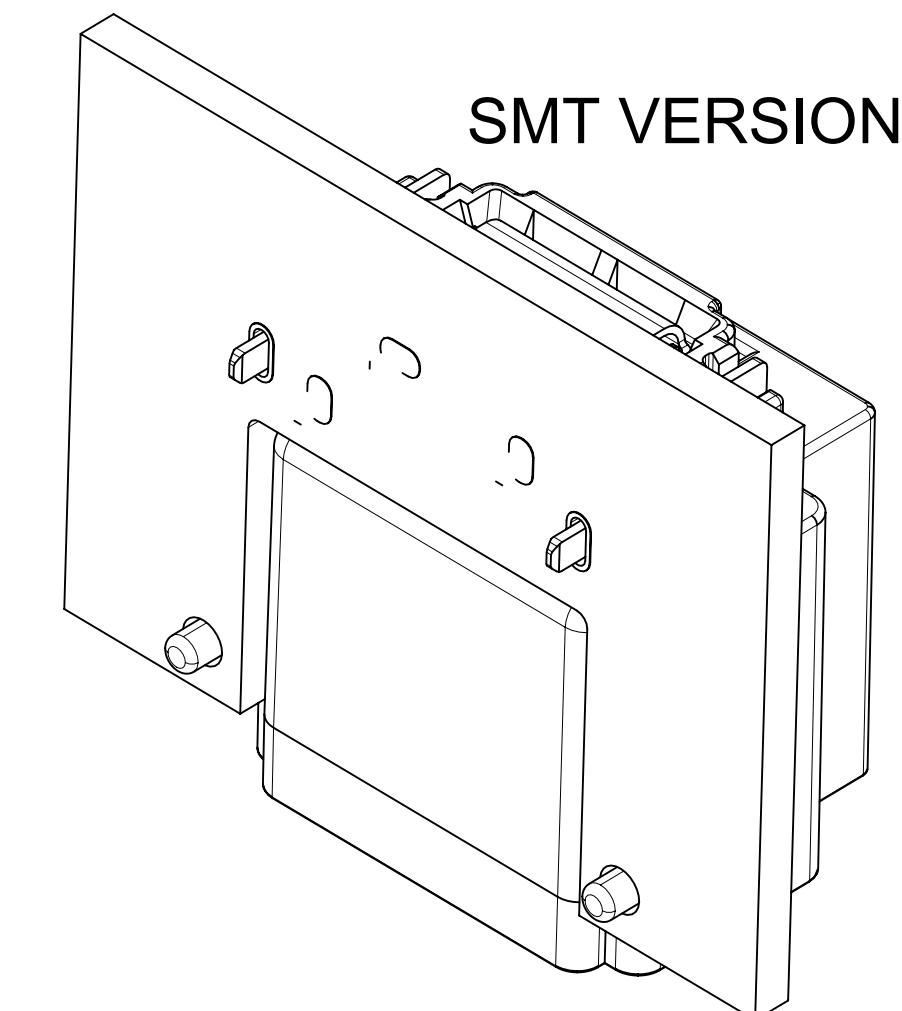
SALEABLE



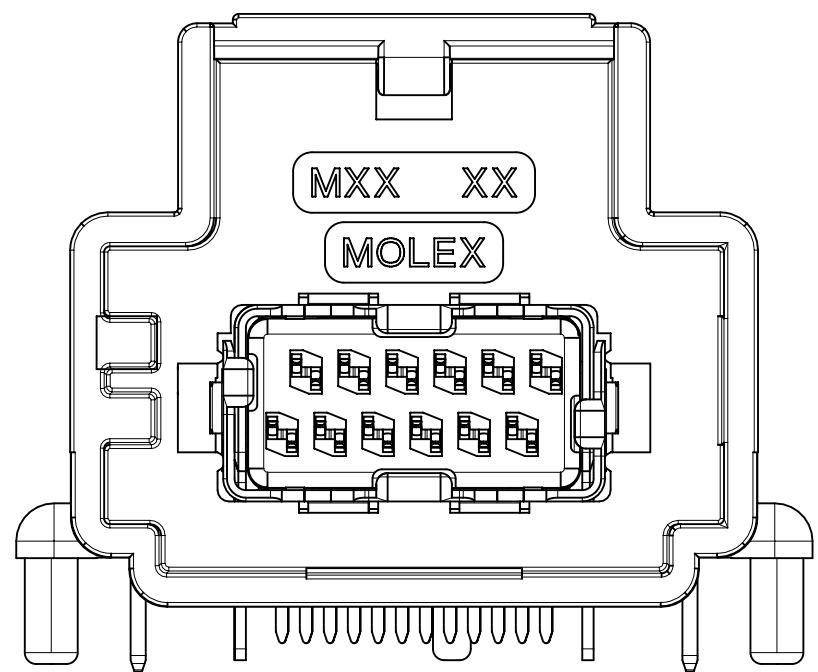
STANDARD VERSION



2 SHIELD TAB VERSION



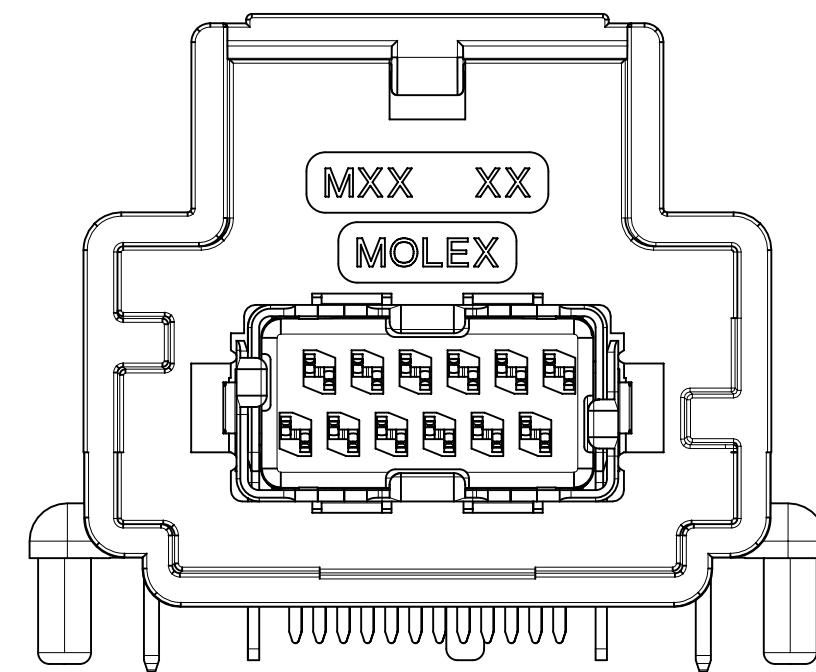
SMT VERSION



34861-1436
 34861-1236 (SI INSERTS) *NOT QUALIFIED*
 34861-1336 (2 SHIELD TABS)
 34861-2136 (SMT) *NOT QUALIFIED*
 34861-8039 SMT VERSION WITH HS INSERTS
 (NO SHIELD TABS)
 34861-9039 (TERMINAL AND INSERTS CHANGE)
 (2 SHIELD TAB) *NOT QUALIFIED*

KEY OPTION 'D'

COLOR: GREEN
 OK TO TOOL

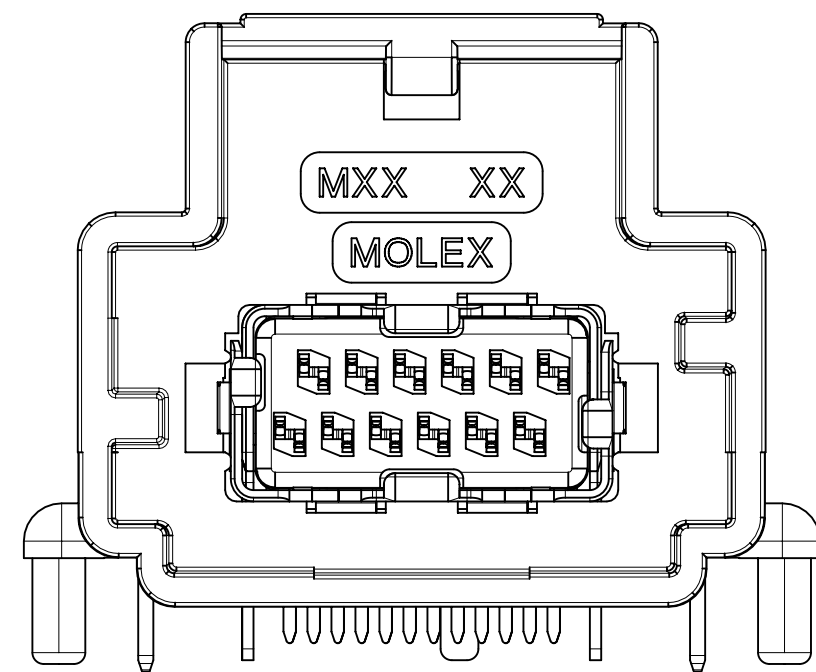


34861-1446
 34861-1246 (SI INSERTS) *NOT QUALIFIED*
 34861-1346 (2 SHIELD TABS)
 34861-2146 (SMT) *NOT QUALIFIED*
 34861-9049 (TERMINAL AND INSERTS CHANGE)
 (2 SHIELD TAB) *NOT QUALIFIED*

KEY OPTION 'E'

COLOR: BLUE

OK TO TOOL



34861-1456
 34861-1256 (SI INSERTS) *NOT QUALIFIED*
 34861-1356 (2 SHIELD TABS)
 34861-2156 (SMT) *NOT QUALIFIED*
 34861-9059 (TERMINAL AND INSERTS CHANGE)
 (2 SHIELD TAB)

KEY OPTION 'F'

COLOR: NATURAL

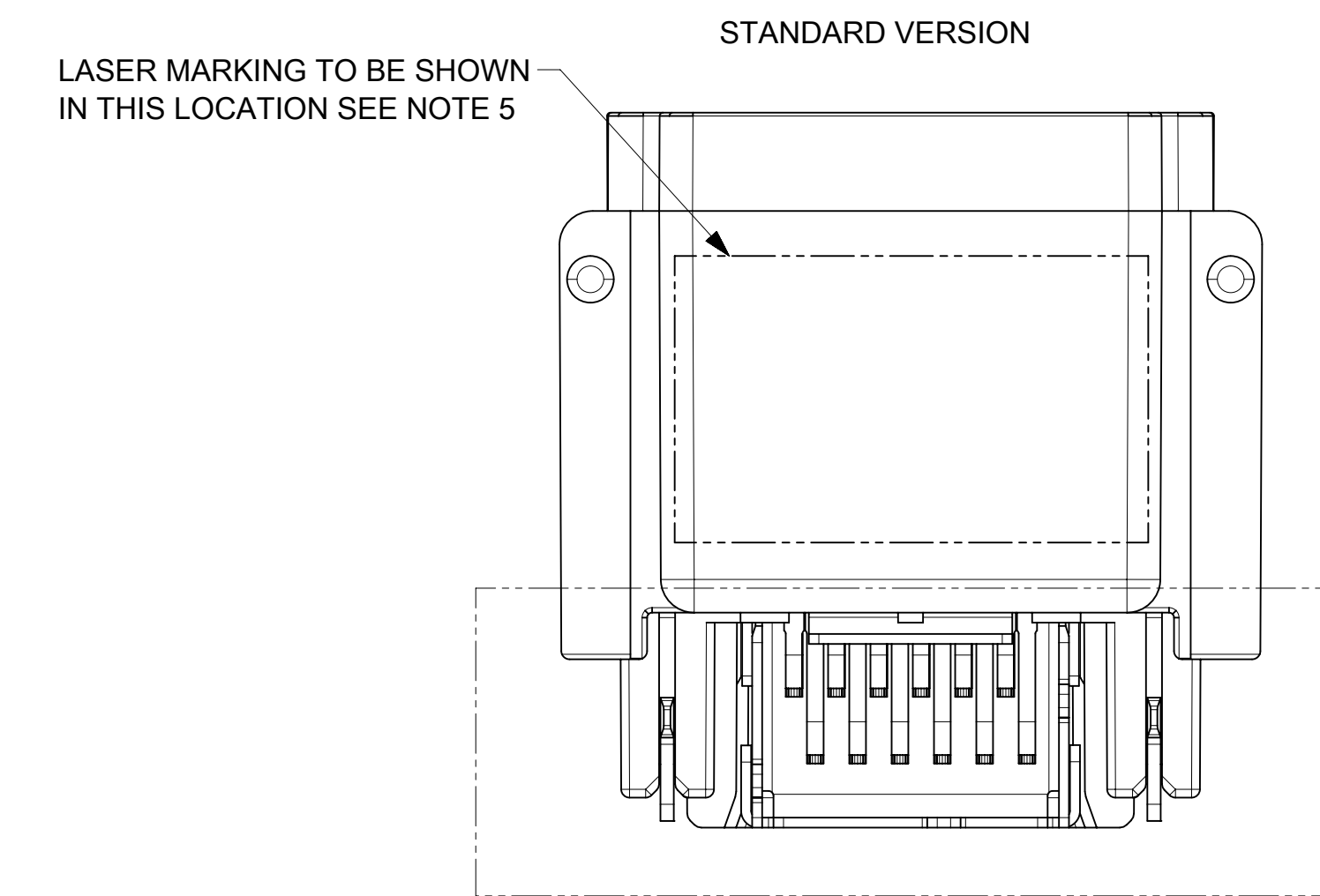
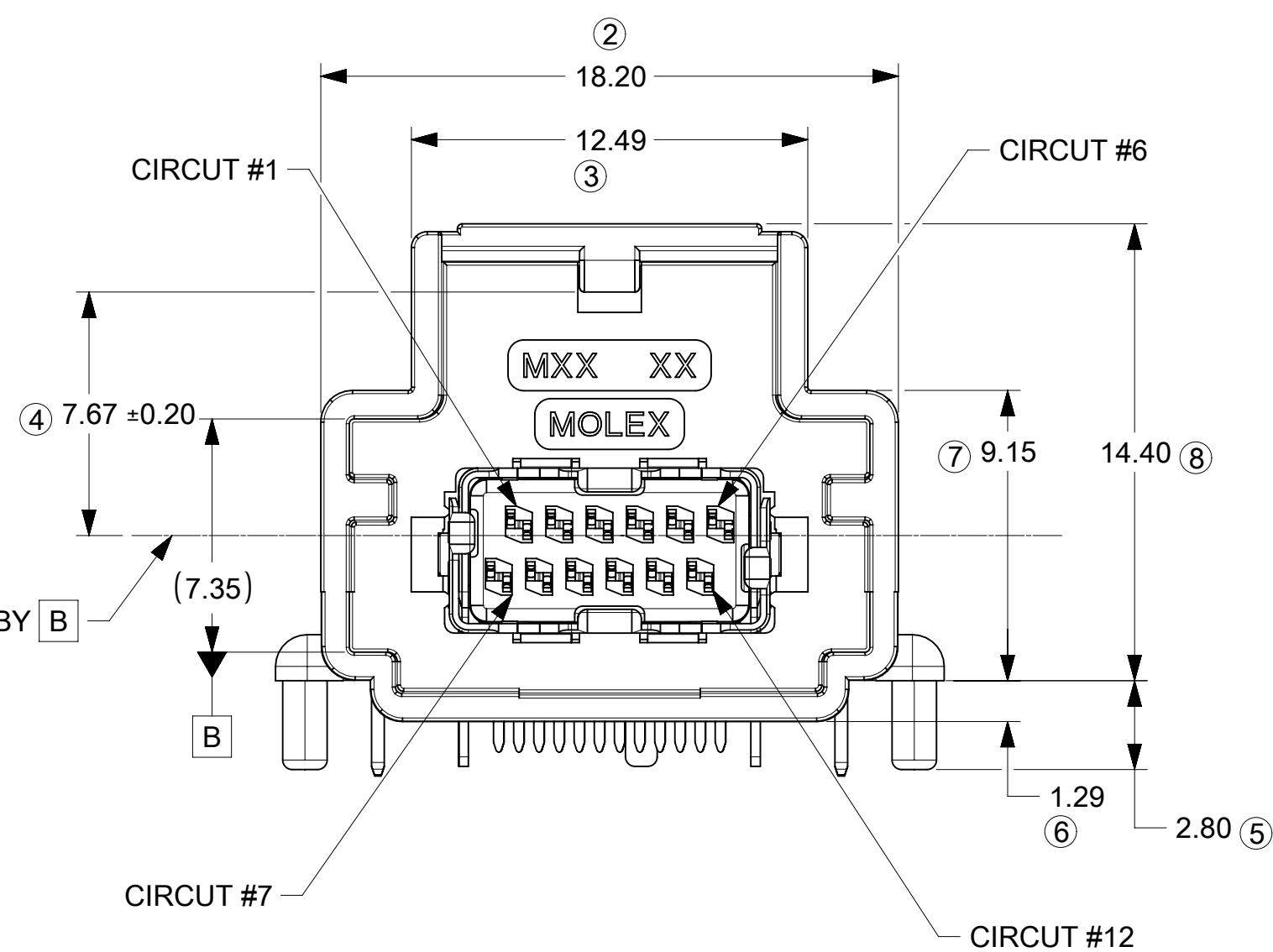
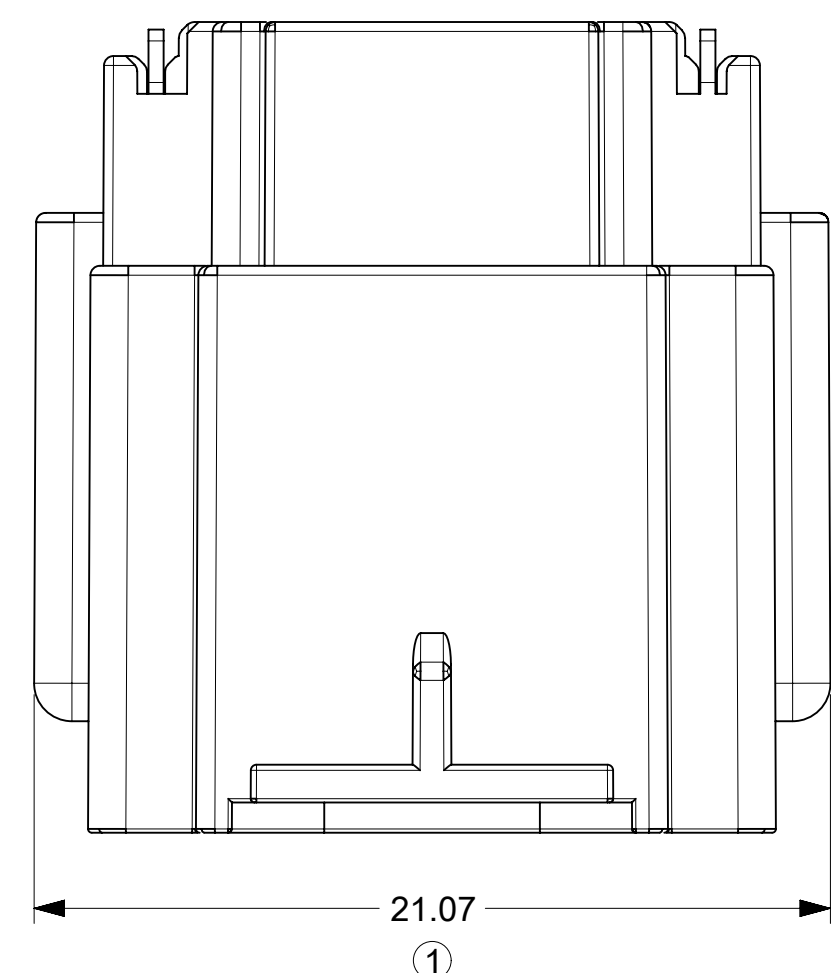
SALEABLE

NOTES: VALID UNLESS OTHERWISE SPECIFIED

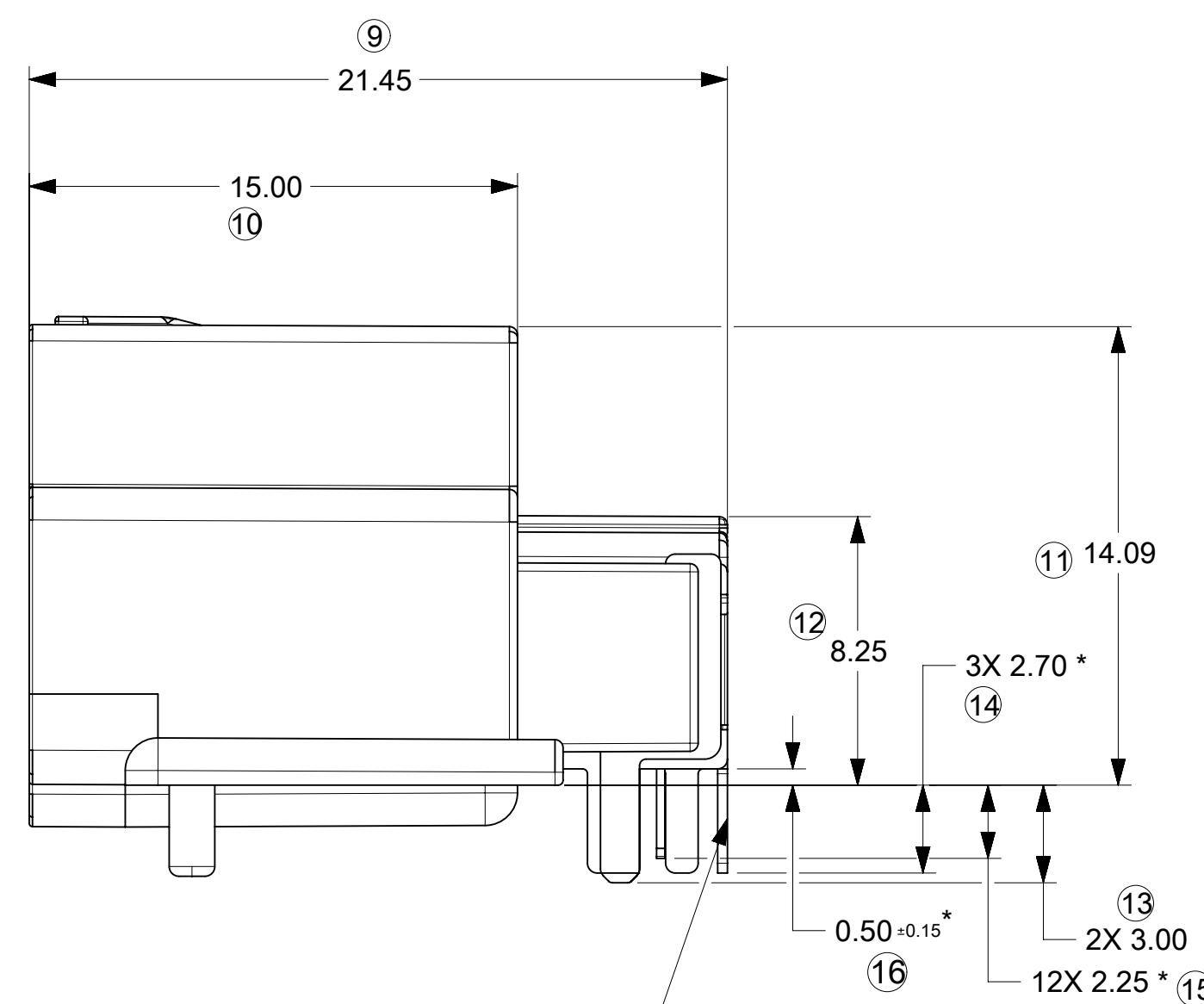
- MATERIALS:
 HEADER HOUSING: SPS, 30%GF
 TERMINALS - COPPER ALLOY
 OVERMOLDING - LCP, 30%GF
 BISCUIT - SPS, 30%GF
 SHIELDS - COPPER ALLOY
- TERMINAL MATE-SIDE PLATING: SELECTIVE GOLD OVER NICKEL
 TERMINAL PCB SIDE PLATING: TIN OVER NICKEL
 SHIELDS PLATING - TIN OVER NICKEL
- MATING CONNECTOR MINIMUM CLEARANCE: AREA TO REMAIN CLEAR OF
 MODULE COMPONENTS, ADHESIVE, DEBRIS, ETC.
- PCB TO BE FR4 0.062" (1.57mm) THICK
- LASER MARKING TO BE MARKED WITH:
 HUMAN READABLE CODE (HRC)
 -PERMANENTLY APPLIED ON THE PART WITH 1.5mm LETTER SIZE
 -INFORMATION TO BE PRINTED
 5 DIGIT JULIAN MANUFACTURING DATE STAMP YYDDD

REV	DESCRIPTION	ENGINEER	DATE
C10	REMOVED "NOT QUALIFIED" FROM 80X9 SERIES. REMOVED "NOT QUALIFIED" FROM SHEET 4. SHEET-4 SMT PCB LAYOUT DIMENSIONS UPDATED. BALLOON NUMBER 17 UPDATED	PRAVEEN	28OCT2022
C9	NOTES ADDED ON SHEET 2 & 4 AND BALLOON NUMBER 17 UPDATED. FOR 34861-90(09, 19, 29, 39, 49, 59) NOT QUALIFIED REMOVED.	PRAVEEN	06JUNE2022
C8	BALLOON NUMBER 17 UPDATED	PRAVEEN	28OCT2021
C7	ADDED PART NUMBER 34861-9009-9059, SHEET 4 DIMENSION UPDATED.	PRAVEEN	10OCT2021
C6	ADDED PART NUMBER 34861-8009/8019/8029 ADDED DIM 16	MSUBHASH	15JULY2021
C4	UPDATED PCB LAYOUT - PIN HOLE DIA	SUDAYGUNAGI	01JULY2020

THIS DRAWING CONTAINS INFORMATION THAT IS PROPRIETARY TO MOLEX ELECTRONIC TECHNOLOGIES, LLC AND SHOULD NOT BE USED WITHOUT WRITTEN PERMISSION									
DIMENSION UNITS		SCALE		CURRENT REV DESC:					
mm		5:1							
GENERAL TOLERANCES (UNLESS SPECIFIED)									
ANGULAR TOL		± °							
4 PLACES		±		EC NO: 737480					
3 PLACES		±		DRWN: PRAVEC2 2022/10/28					
2 PLACES		± 0.2		CHK'D: ADUTTMN 2023/02/13					
1 PLACE		±		APPR: ADUTTMN 2023/02/13					
0 PLACES		±		INITIAL REVISION:					
				DRWN: XLHE14 2018/06/25					
				APPR: DNAYLIS 2018/06/27					
DRAFT WHERE APPLICABLE MUST REMAIN WITHIN DIMENSIONS				THIRD ANGLE PROJECTION		DRAWING		SERIES	
				D-SIZE		34861			
DOCUMENT STATUS				P1		RELEASE DATE		2023/02/13 17:28:49	
DOCUMENT NUMBER				DOC TYPE		DOC PART		REVISION	
348611406				PSD		000		C10	
MATERIAL NUMBER				CUSTOMER		SHEET NUMBER			
SEE CHART				GENERAL MARKET		1 OF 4			

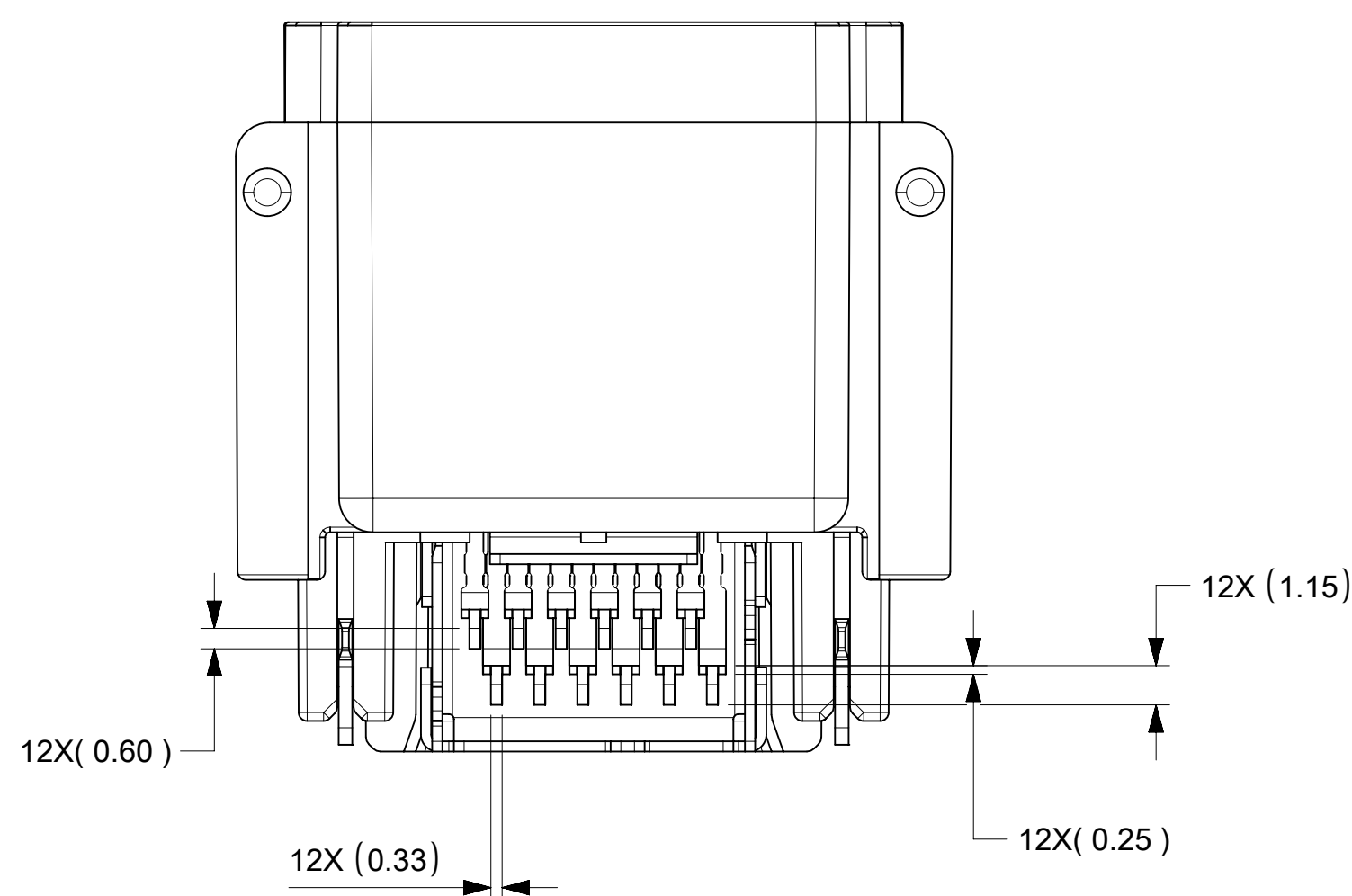


Note:-
* - Balloon Number 14, 15 & 16 is not applicable for 348618009, 8019, 8029, 8039, 8049.

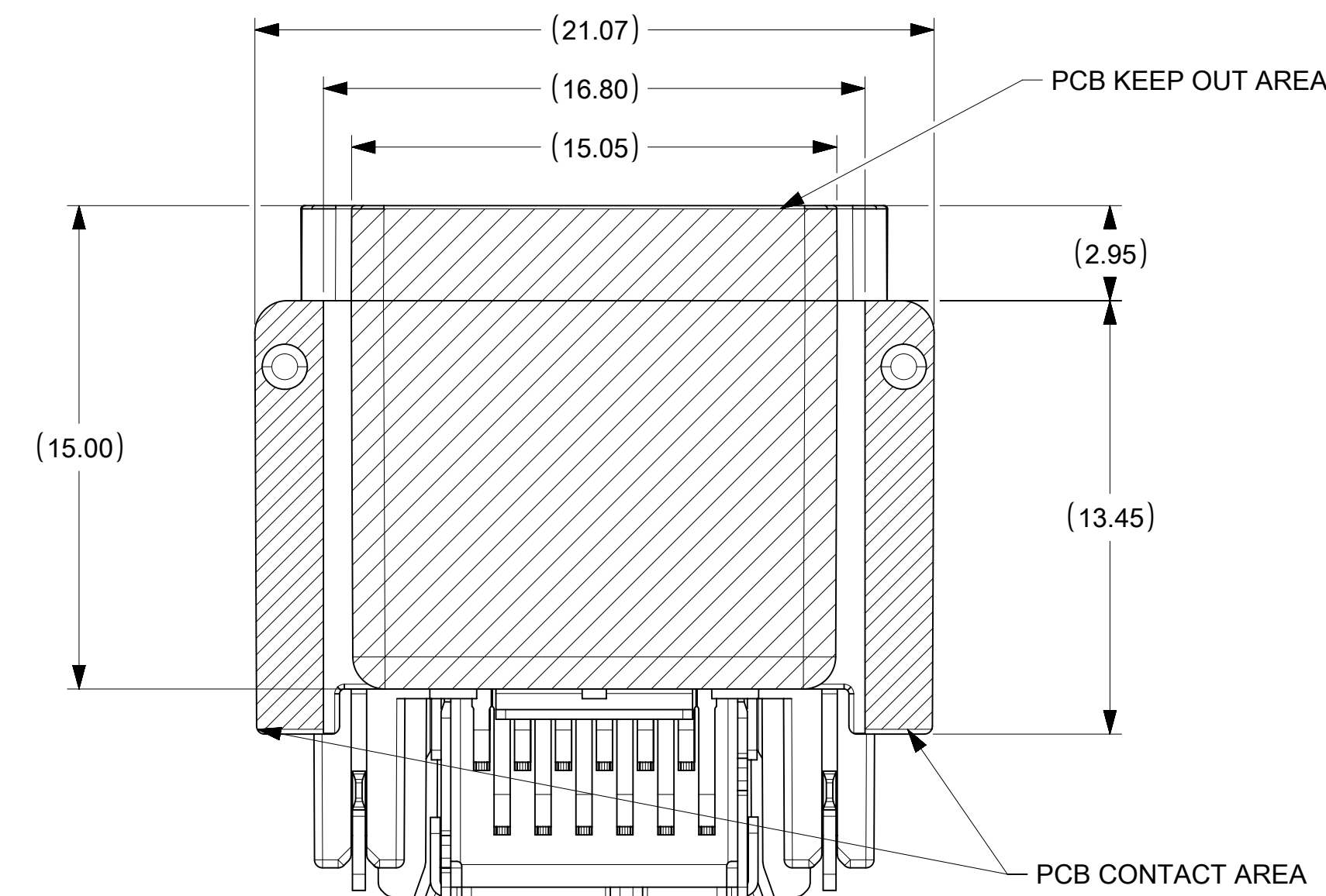


THIS SHIELD TAB IS REMOVED ON
PART NUMBERS 34861-1306, 34861-1316, 34861-1326
34861-7009, 34861-7019, 34861-7029
34861-7059

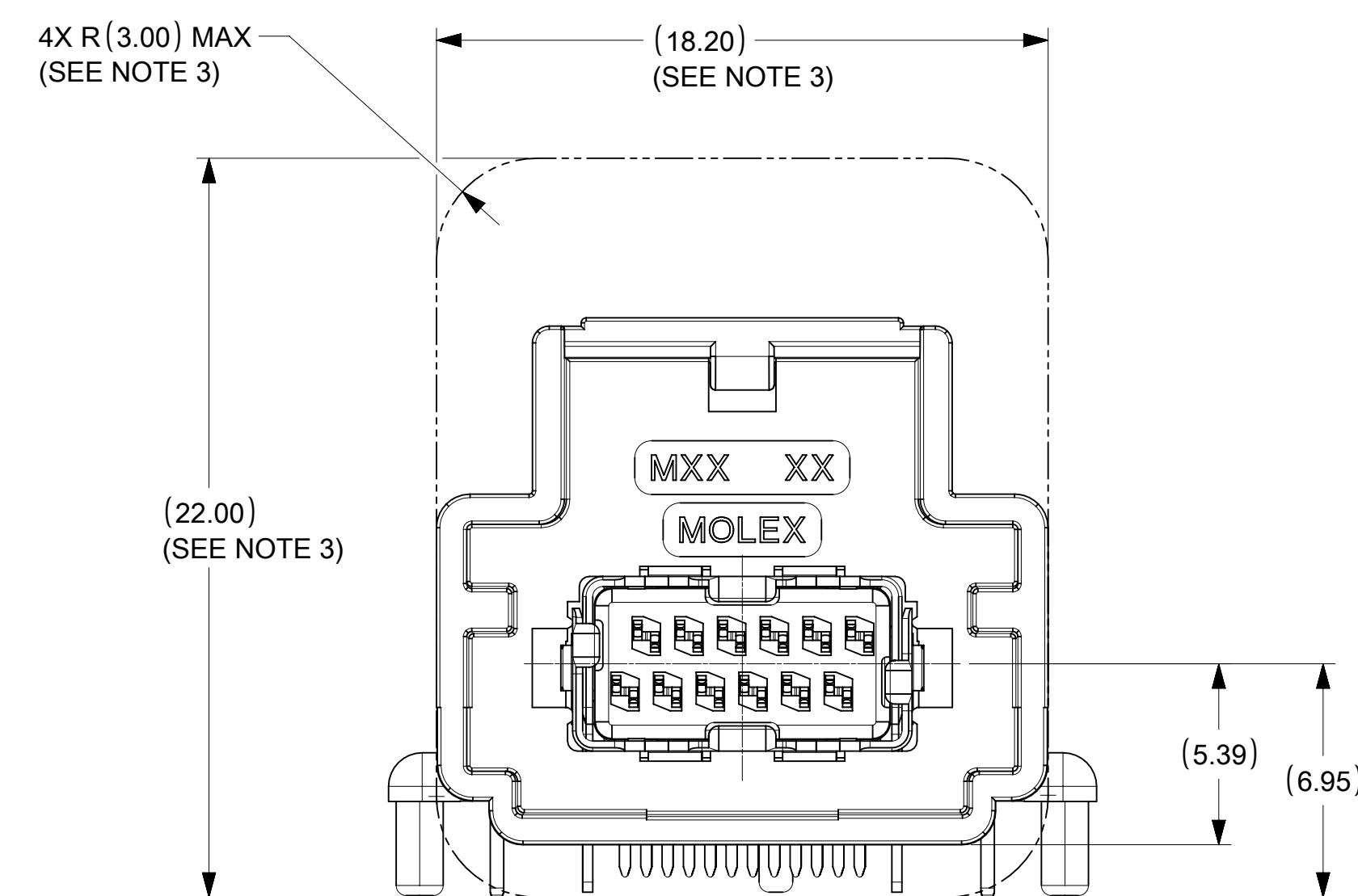
SMT VERSION *NOT QUALIFIED*



PCB CLEAROUT REGIONS



HEADER-TO-MODULE INTERFACE REQUIREMENTS



THIS DRAWING CONTAINS INFORMATION THAT IS PROPRIETARY TO MOLEX ELECTRONIC TECHNOLOGIES, LLC AND SHOULD NOT BE USED WITHOUT WRITTEN PERMISSION											
DIMENSION UNITS		SCALE		CURRENT REV DESC:							
mm		5:1									
GENERAL TOLERANCES (UNLESS SPECIFIED)											
ANGULAR TOL ± °											
4 PLACES ±				EC NO: 737480							
3 PLACES ±				DRWN: PRAVEC2 2022/10/28							
2 PLACES ± 0.2				CHK'D: ADUTTMN 2023/02/13							
1 PLACE ±				APPR: ADUTTMN 2023/02/13							
0 PLACES ±				INITIAL REVISION:							
				DRWN: XLHE14 2018/06/25							
				APPR: DNAYLIS 2018/06/27							
DRAFT WHERE APPLICABLE MUST REMAIN WITHIN DIMENSIONS		THIRD ANGLE PROJECTION		DRAWING		SERIES		MATERIAL NUMBER		CUSTOMER	
		D-SIZE		34861		SEE SHEET 1		GENERAL MARKET		SHEET NUMBER	
										2 OF 4	

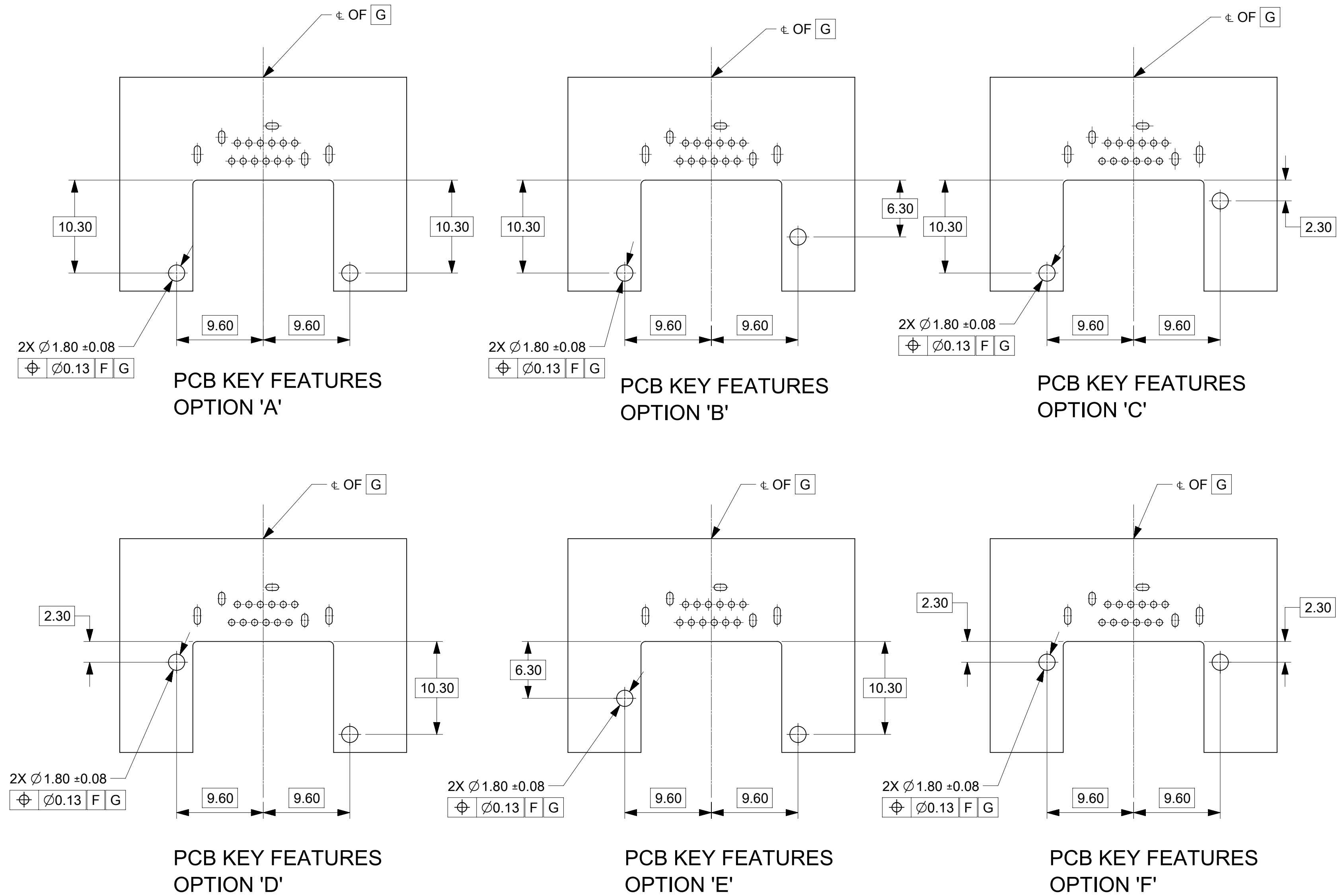
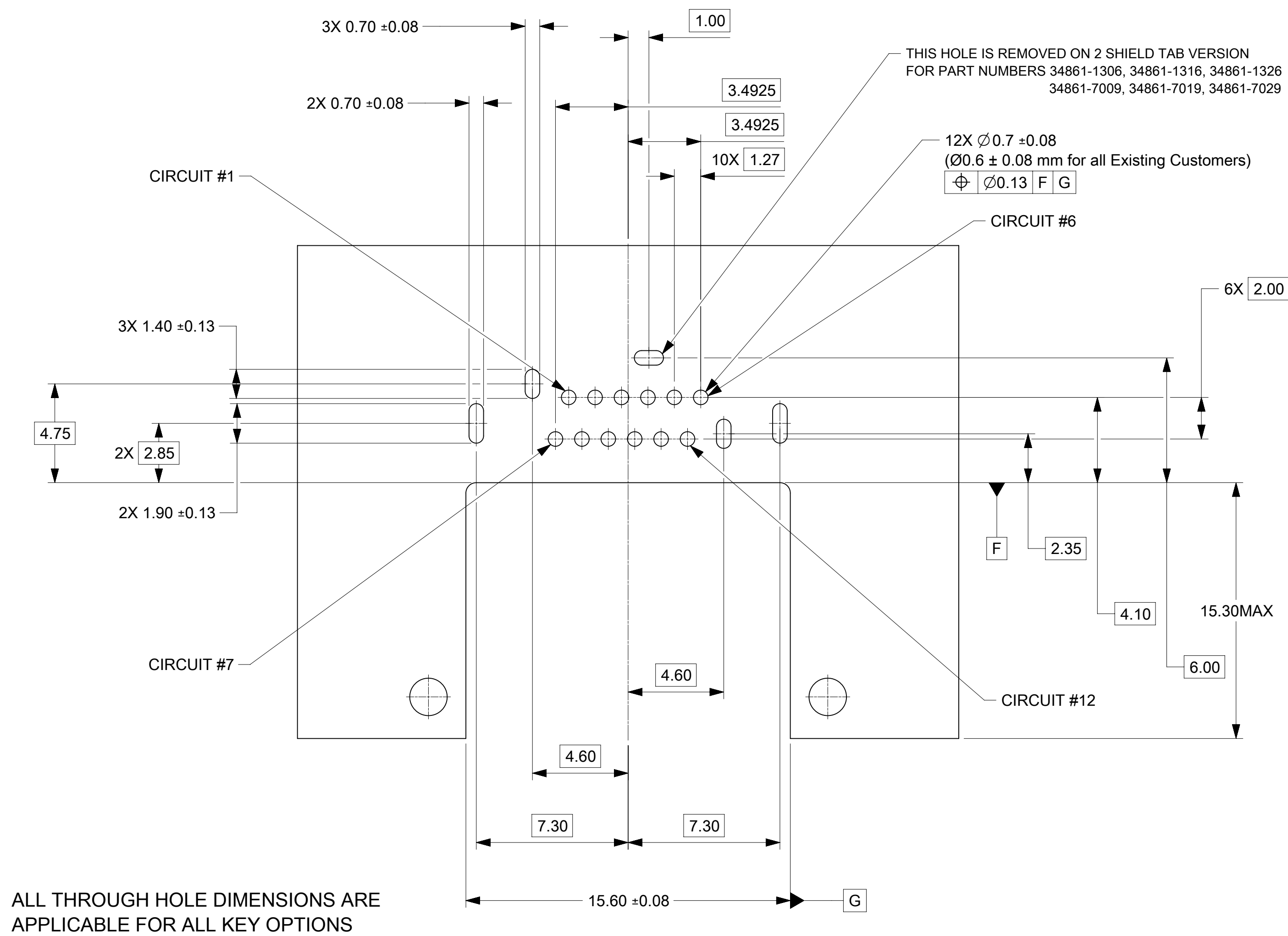
molex

12CKT HSALII RIGHT ANGLE HEADER
HEADER ASSEMBLY

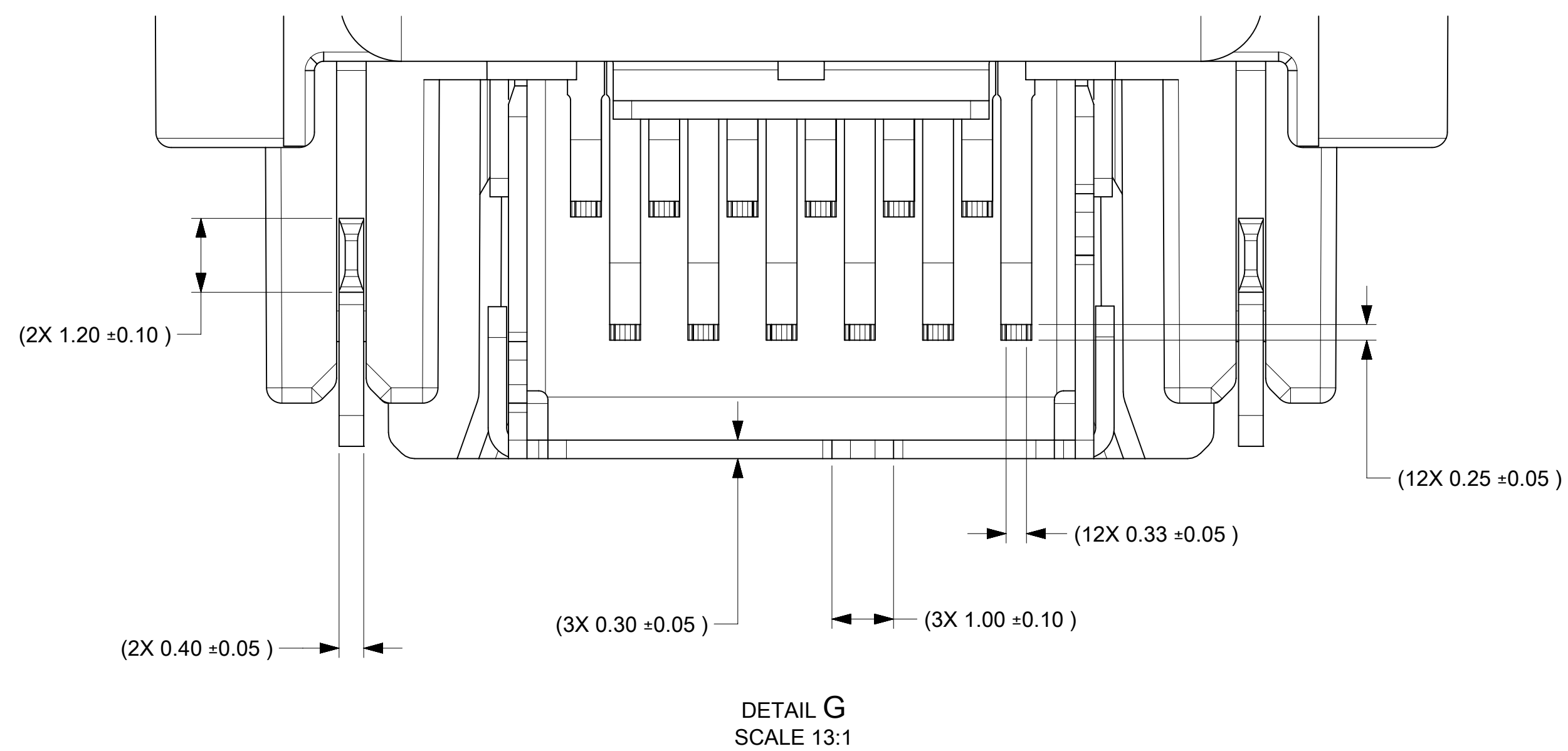
PRODUCT CUSTOMER DRAWING

DOCUMENT NUMBER	DOC TYPE	DOC PART	REVISION
348611406	PSD	000	C10

RECOMMENDED PCB LAYOUT - HEADER SIDE PCB



SOLDER TAILS SIZE FOR REFERENCE ONLY

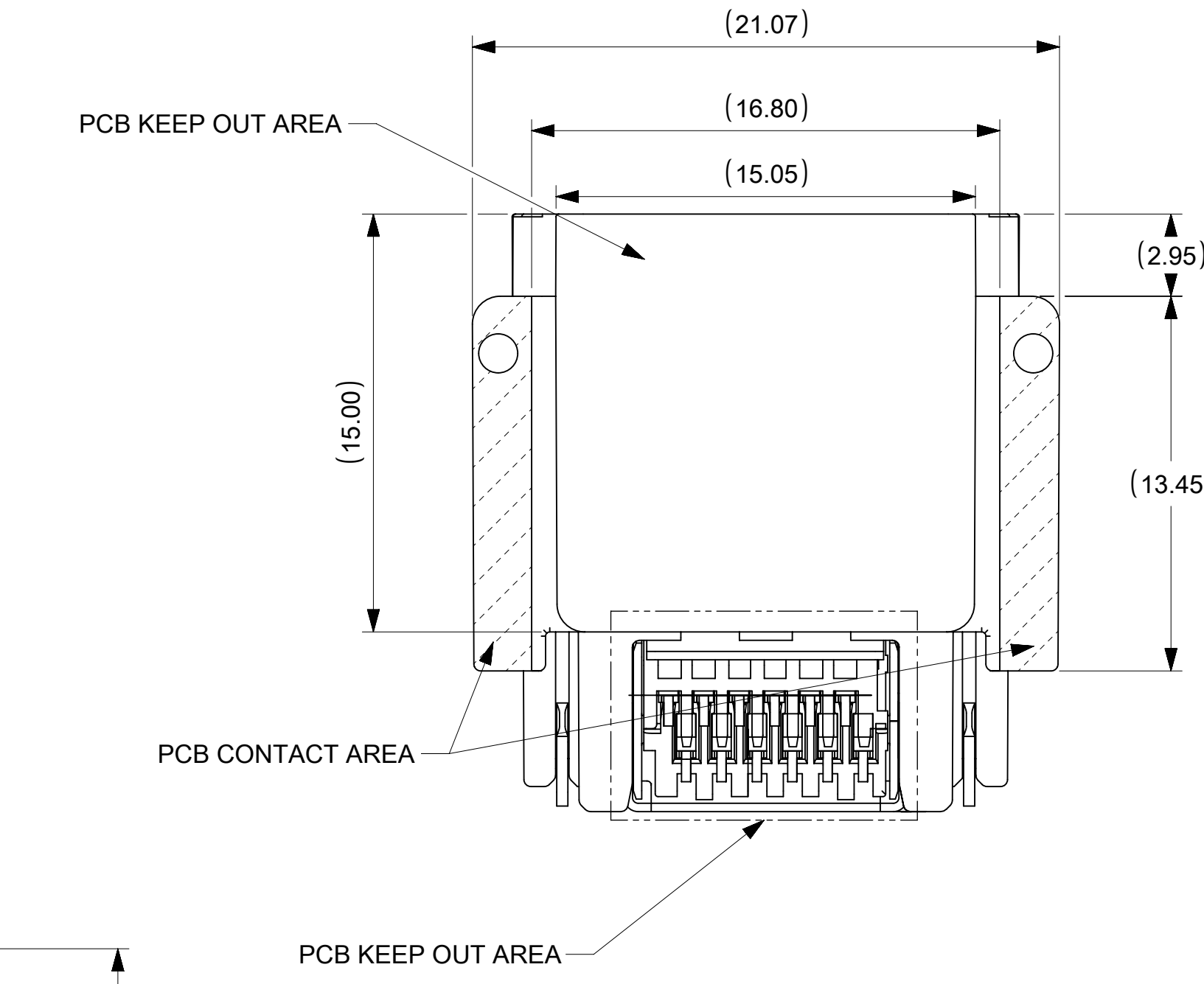
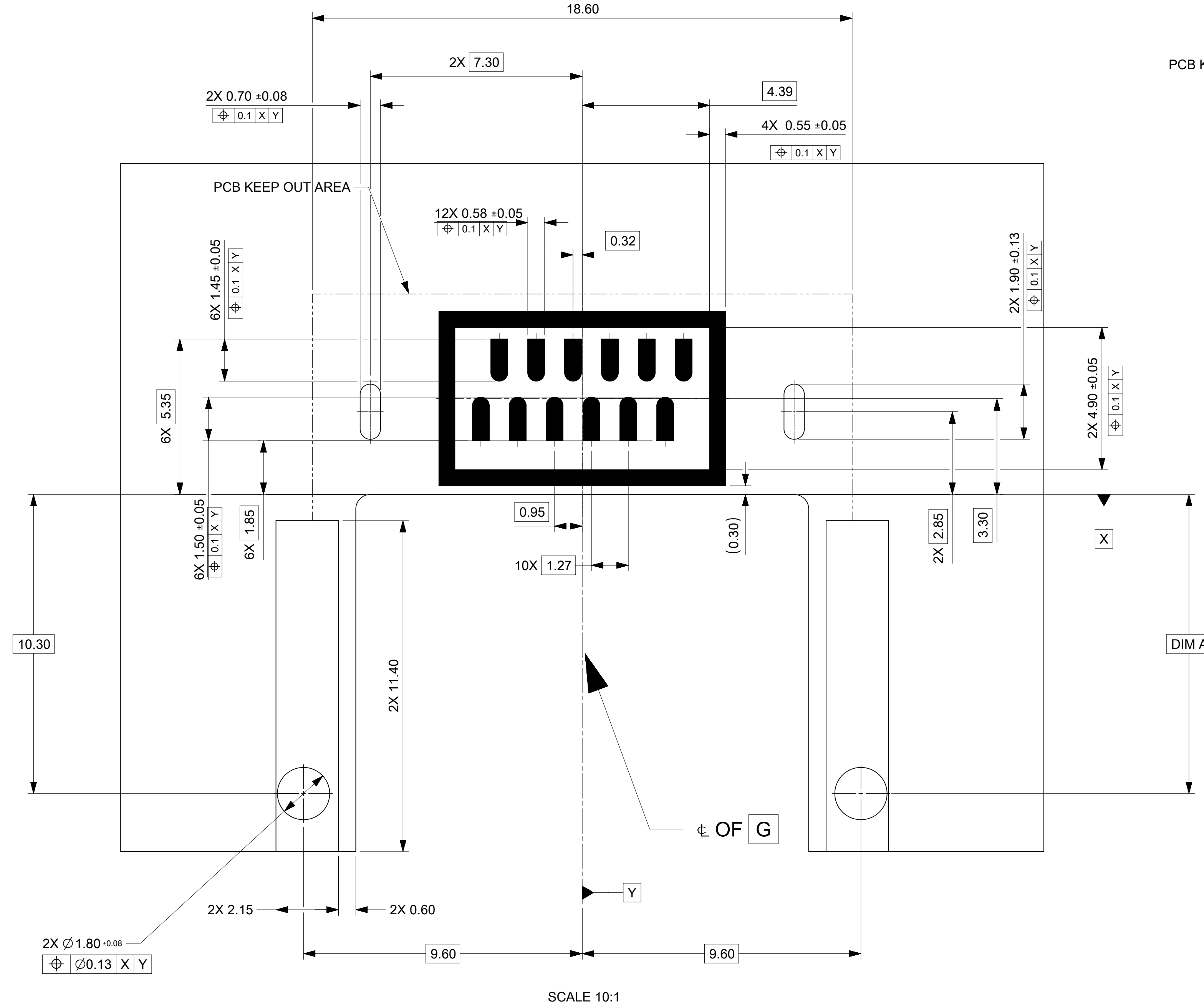
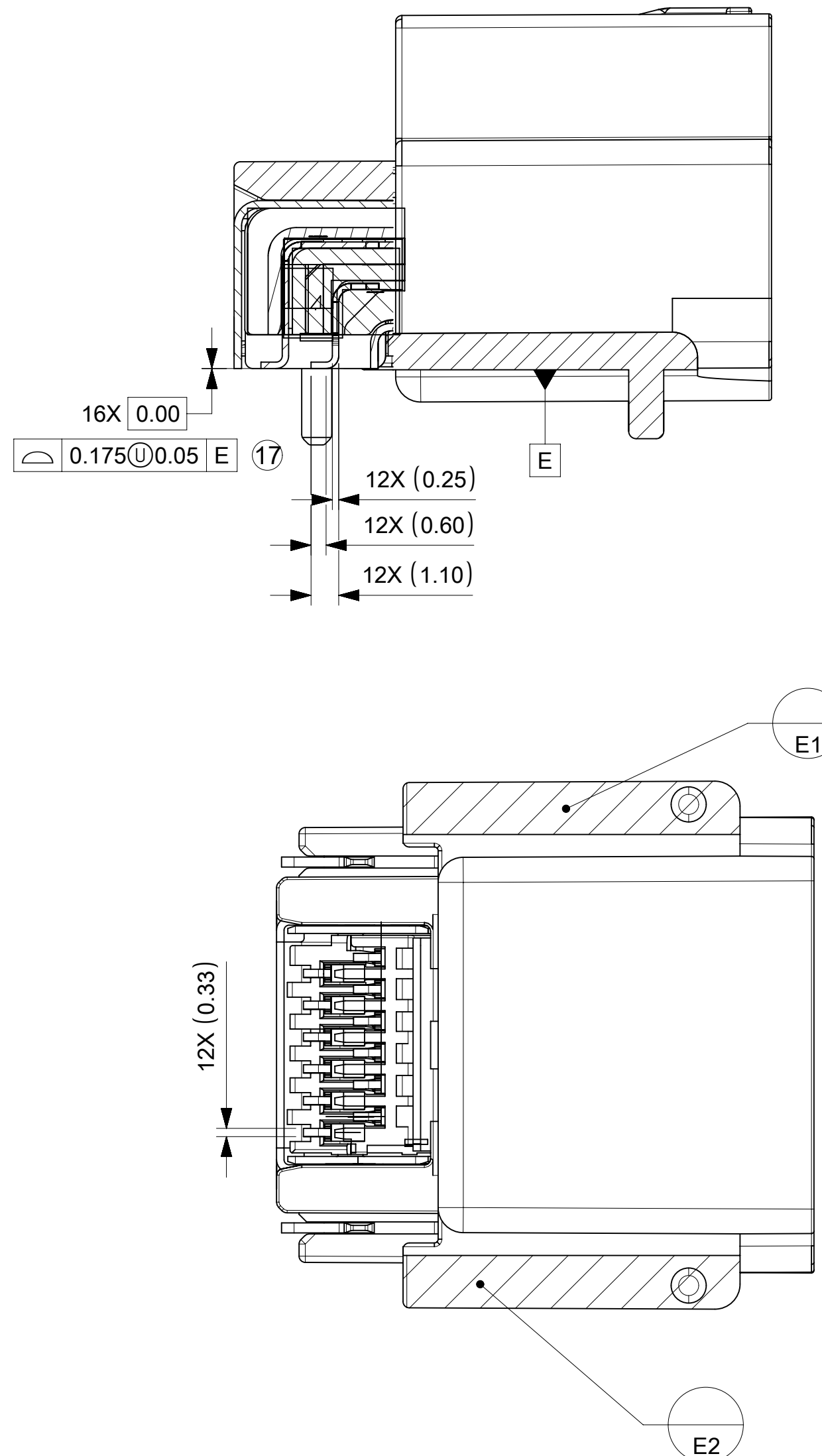


THIS DRAWING CONTAINS INFORMATION THAT IS PROPRIETARY TO MOLEX ELECTRONIC TECHNOLOGIES, LLC AND SHOULD NOT BE USED WITHOUT WRITTEN PERMISSION											
DIMENSION UNITS		SCALE		CURRENT REV DESC:							
mm		4:1									
GENERAL TOLERANCES (UNLESS SPECIFIED)											
ANGULAR TOL ± °											
4 PLACES ±		EC NO: 737480									
3 PLACES ±		DRWN: PRAVEC2		2022/10/28							
2 PLACES ±		CHK'D: ADUTTMN		2023/02/13							
1 PLACE ±		APPR: ADUTTMN		2023/02/13							
0 PLACES ±		INITIAL REVISION:									
		DRWN: XLHE14		2018/06/25							
		APPR: DNAYLIS		2018/06/27							
DRAFT WHERE APPLICABLE MUST REMAIN WITHIN DIMENSIONS				THIRD ANGLE PROJECTION		DRAWING		SERIES		MATERIAL NUMBER	
				D-SIZE		34861		SEE SHEET1		CUSTOMER	
						GENERAL MARKET		3 OF 4			

RECOMMENDED SMT PCB LAYOUT HEADER SIDE PCB

SMT VERSION WITH HIGH SPEED INSERTS

SMT VERSION HIGH SPEED INSERT 34861-8009, 8019, 8029, 8039



SCALE 10:1

KEY OPTION	DIM A
A	10.30
B	6.30
C	2.30

THIS DRAWING CONTAINS INFORMATION THAT IS PROPRIETARY TO MOLEX ELECTRONIC TECHNOLOGIES, LLC AND SHOULD NOT BE USED WITHOUT WRITTEN PERMISSION

DIMENSION UNITS mm	SCALE 10:1	CURRENT REV DESC:	molex		
GENERAL TOLERANCES (UNLESS SPECIFIED)					
ANGULAR TOL ± °			PRODUCT CUSTOMER DRAWING		
4 PLACES ±		EC NO: 737480	DOCUMENT NUMBER		
3 PLACES ±		DRWN: PRAVEC2 2022/10/28	DOC TYPE DOC PART REVISION		
2 PLACES ± 0.2		CHK'D: ADUTTMN 2023/02/13	348611406 PSD 000 C10		
1 PLACE ±		APPR: ADUTTMN 2023/02/13	MATERIAL NUMBER CUSTOMER SHEET NUMBER		
0 PLACES ±		INITIAL REVISION:	GENERAL MARKET 4 OF 4		
DRAFT WHERE APPLICABLE MUST REMAIN WITHIN DIMENSIONS	THIRD ANGLE PROJECTION	DRAWING SERIES	D-SIZE 34861		