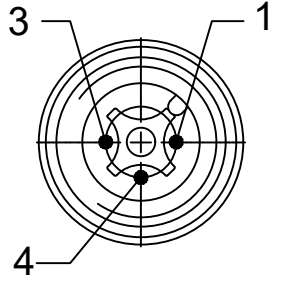


**MALE FACE VIEW
3-POLE**

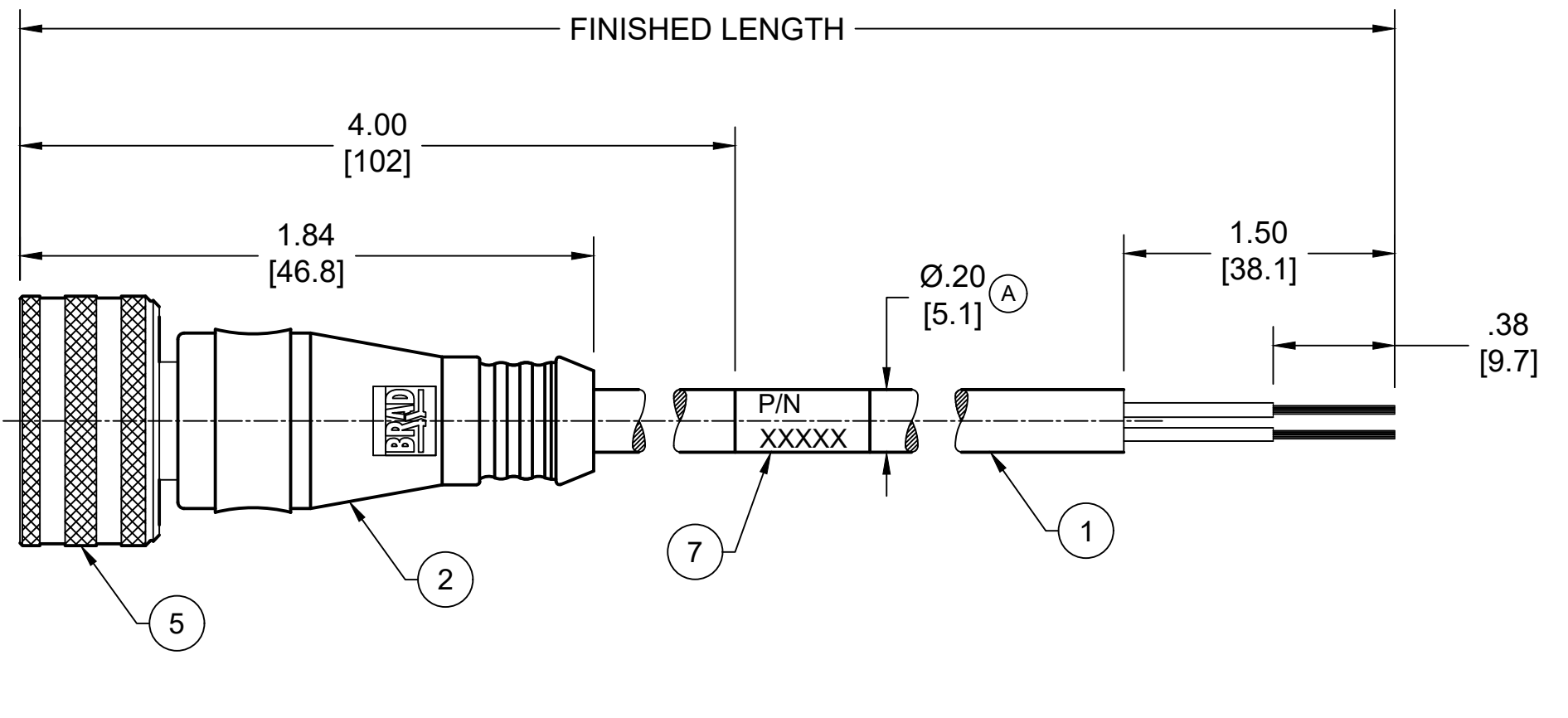
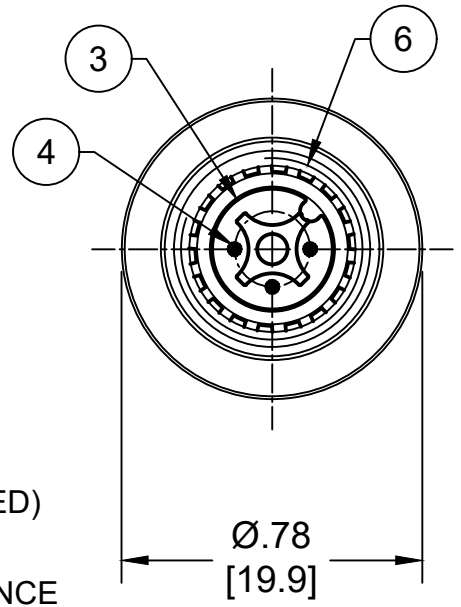


WIRING DIAGRAM

1 BROWN
3 BLUE
4 BLACK

NOTES:

- MATERIAL: AS NOTED
- FINISH: AS NOTED
- ELECTRICAL:
VOLTAGE: 250V
CURRENT: 4A
- TEMP RATING: -20° TO +105°C (A)
- PROTECTION: IP67/69K (WHEN MATED)
- CSA CERTIFIED FILE: LR6837 (A)
- ALL DIMENSIONS ARE FOR REFERENCE UNLESS TOLERANCED OR NOTED OTHERWISE



PART NO	ENGINEERING NO.	FINISHED LENGTH
1200790121	W03006K05M010	1M [3FT 3 IN]
1200790153	W03006K05M050	5M [16FT 5 IN]
1200790151	W03006K05M100	10M [32FT 10 IN]

CABLE FLEX CHARACTERISTICS (A)

TORSIONAL FLEX TEST	10 MILLION CYCLES PER MIL-C-13777G
BEND FLEX TEST	10 MILLION CYCLES PER MIL-C-13777G
WELD SLAG RESISTANCE	WOODHEAD STANDARD S-300

**(A) PART NUMBER LEGEND
W03006K05M010**

FINISHED LENGTH
M005 = 0.5 METER
M010 = 1 METER
M100 = 10 METER

(A) CABLE LENGTH TOLERANCES

<.3M [1FT]:	+19mm-0 [+ .75in-0]
.3 - .9M [1 - 3FT]:	+44.5mm-0 [+1.75in-0]
.9 - 1.8M [3 - 6FT]:	+55.6mm-0 [+2.19in-0]
1.8 - 3.7M [6 - 12FT]:	+88.9mm-0 [+3.50in-0]
3.7 - 7.3M [12 - 24FT]:	+165.1mm-0 [+6.50in-0]
7.3-14.6M [24 - 48FT]:	+317.5mm-0 [+12.50in-0]
14.6 - 30.5M [48-100FT]:	+622.3mm-0 [+24.50in-0]
OVER 30M [100FT]	+2% OF FINISHED LENGTH

ITEM	DESCRIPTION	MATERIAL	FINISH
7	WRAP LABEL	VINYL	BLACK/YELLOW (A)
6	O-RING	VITON	GREEN (A)
5	COUPLER	BRASS	NICKEL PLATED (A)
4	CONTACT PIN	COPPER ALLOY	GOLD OVER NICKEL (A)
3	MALE INSERT	PUR	BLACK (A)
2	OVERMOLD	TPC	YELLOW (A)
1	#22 AWG CABLE	TPE JACKET	YELLOW (A)

FUNCTIONAL SYMBOLS $F_A=0$ $F_P=0$ $F_P=0$	THIS DRAWING CONTAINS INFORMATION THAT IS PROPRIETARY TO MOLEX ELECTRONIC TECHNOLOGIES, LLC AND SHOULD NOT BE USED WITHOUT WRITTEN PERMISSION		CURRENT REV DESC: ITEM #2 WAS TPE, #3 WAS NYLON & #7 WAS MYLAR. REMOVED UL CABLE SPEC, ADDED CSA, CABLE DIA, PN MATRIX & TOL CHART. MODIFIED PN TABLE.		
	DIMENSION UNITS INCH/MM	SCALE NTS	molex		
	GENERAL TOLERANCES (UNLESS SPECIFIED)		MICRO-CHANGE ULTRA LOCK, M12 3-POLE, MALE, STRAIGHT, SINGLE KEY, #22 AWG TPE HI-FLEX		
	DIVISIONAL SYMBOLS		PRODUCT CUSTOMER DRAWING		
DRAFT WHERE APPLICABLE MUST REMAIN WITHIN DIMENSIONS		THIRD ANGLE PROJECTION	DRAWING A3-SIZE	SERIES 120079	
EC NO: 702709 DRWN: ABENJAMINLW 2021/07/27 CHK'D: RSTONE 2022/04/11 APPR: BWOODMAN 2022/04/16		INITIAL REVISION: DRWN: LSTEMMLE 2010/02/12 APPR: FPACHER 2010/02/15			
DOCUMENT NUMBER SD-120079-030		DOC TYPE PSD	DOC PART 001	REVISION A	
MATERIAL NUMBER SEE CHART		CUSTOMER GENERAL MARKET		SHEET NUMBER 1 OF 1	