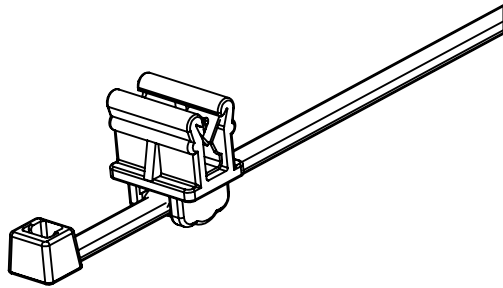
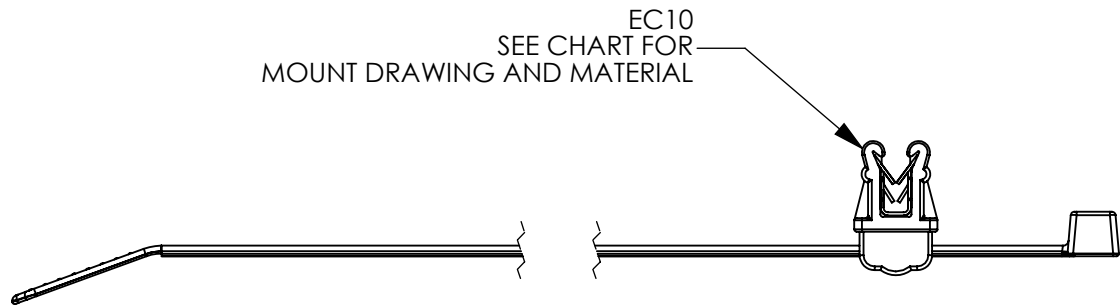
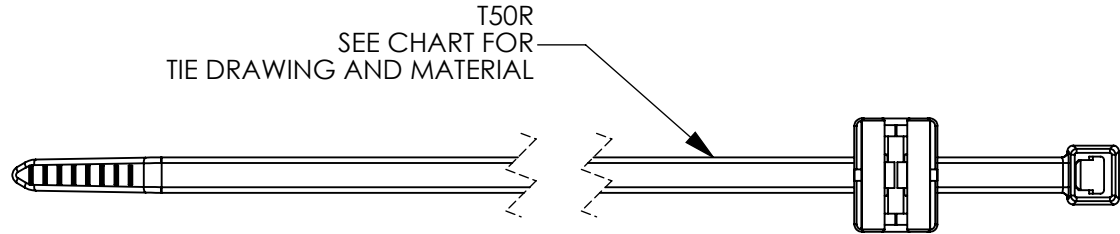


Revision level		Revision Record	Changed	Date	Approved	Date
Part	Drawing					
-	01	See ECN 011333	AAC	07/09/2009	KAC	07/09/2009



DELIVERY CONDITION:
CABLE TIE HEAD COULD BE AT THE LEFT OR RIGHT SIDE OF EDGE CLIP

TYPE	BUNDLE RANGE	CABLE TIES		MOUNT	
		DRAWING	MATERIAL	DRAWING	MATERIAL
T50REC10	5 to 50	CT2050007CST	PA66HS PA66UV PA46	XCL-HTG161CST	PA66HIRHS
	12.7 to 44.5	CT2050007CSTPPP	PP		

SEE CHART

Material

Dimension tolerances unless otherwise specified	SW 2007 ALL PROPRIETARY RIGHTS IN THE SUBJECT MATTER SHOWN ON THIS DRAWING ARE EXCLUSIVE PROPERTY OF HELLERMANNNTYTON
.xxxx = ±.0005	
.xxx = ±.005	
.xx = ±.01	
.x = ±.03	
∠ = ±0.5°	
Dimension Units inches	
PERFORMANCE SPECIFICATION	

Drawn	AAC	07/09/2009
Approved	KAC	07/09/2009

HellermannTyton®
Cable Management Products

7930 N. Faulkner Rd.
Milwaukee, WI 53224
Ph: (414) 355-1130
Fx: (414) 362-8342

Scale 1:1

Computer File Number CT2050069CST_01

Title **T50REC10
T50R STANDARD CABLE TIE
WITH EC10 MOUNT**

Drawing-No **CT2050069CST**

Format **AH**

Sheet 1 of 1

Product Number
Cross Reference Record

Uncontrolled Document

Pre-UNS Number System	(New) UNS Universal Number System	Customer Part Number
Product Number T50REC10	Product Number 156-00552	Product Number -
Reference Drawing Number: CT2050069CST		

Issued By:	(New) UNS Product Number	Issue Date:
HellermannTyton	Universal Numbering System	October 7, 2011