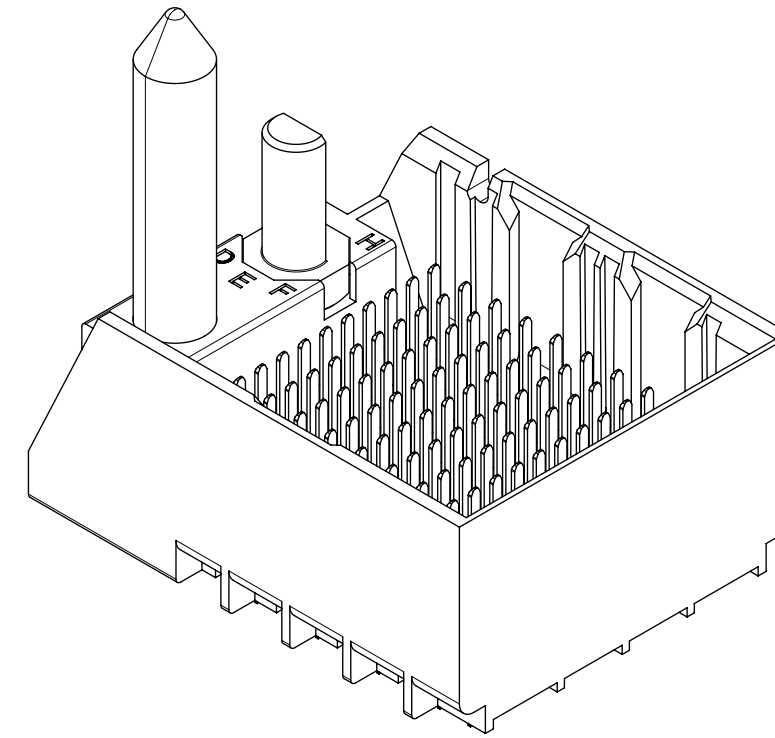


- NOTES:
- MATERIALS: HOUSING - LIQUID CRYSTAL POLYMER (LCP)  
GLASS-FILLED, UL94V-0  
TERMINALS - HIGH PERFORMANCE COPPER ALLOY
  - FINISH: 10 μINCH MIN GOLD IN CONTACT AREA.  
SELECTIVE MATTE TIN ON PCB TAILS, NICKEL OVERALL.
  - REFER TO MOLEX PRODUCT SPECIFICATION PS-76060-999 FOR PERFORMANCE SPECIFICATIONS AND ADDITIONAL PCB INFORMATION.
  - THIS PART CONFORMS TO CLASS B REQUIREMENTS OF MOLEX COSMETIC SPEC PS-45499-002.
  - PARTS PACKAGEE PER PK-70873-757.
  - SEE SHEETS 2 & 3 FOR PART NUMBERS AND BOARD RELATIONSHIPS.
  - FOR GROUNDED GUIDE PINS USE DIA. 3.56 +/-0.08 (PTH)  
DIA. 3.66 (DRILL) AND DIA 6.5 (PAD).
  - MATES WITH IMPACT DC SERIES NO. 76160.
  - KEEP OUT ZONE FOR BP HOUSING LENGTH INCLUDES AN ADDITIONAL 1.0MM TO ACCOMMODATE FOR SPACE REQUIRED BY DC FRONT HOUSING.
  - REFER TO MOLEX PCB ROUTING GUIDE AS-76060-990 FOR ANTIPAD AND ROUTING RECOMMENDATIONS.
  - CONNECTORS SUPPLIED WITH A 2-56 UNC-2A SCREW.
  - "THESE DIMENSIONS REPRESENT THE AREA NEEDED TO ACCOMMODATE CONNECTOR INSERTION AND REPAIR ON THE PC BOARD. THIS IS REFERRED TO AS THE "CONNECTOR KEEP OUT ZONE" AND DOES NOT REPRESENT THE ACTUAL PERIMETER OF THE CONNECTOR. WHEN LAYING OUT A PC BOARD FOR CONNECTORS STACKED TOGETHER, USE A 1.9mm PROGRESSION."

THIS DRAWING CONTAINS INFORMATION THAT IS PROPRIETARY TO MOLEX ELECTRONIC TECHNOLOGIES, LLC AND SHOULD NOT BE USED WITHOUT WRITTEN PERMISSION										
QUALITY SYMBOLS	MIGRATED TO NX				GENERAL TOLERANCES (UNLESS SPECIFIED)		DIMENSION UNITS	SCALE	molex®	
▽ = 0	EC NO: 123322	2017/10/09	2017/10/17	2017/10/18	4 PLACES ±	mm	4:1	IMPACT 4 PAIR BACKPLANE LEFT GUIDED ASSEMBLY SALES DRAWING		
▽ = 0	DRWN: NSRIVATSAHS	CHKD: PRAMASWAMY	APPR: PRAMASWAMY	2 PLACES ± 0.13	3 PLACES ±	DRWN BY	DATE	PRODUCT CUSTOMER DRAWING		
▽ = 0	DRWN: NSRIVATSAHS	CHKD: PRAMASWAMY	APPR: PRAMASWAMY	1 PLACE ± 0.25	0 PLACES ±	CHKD BY	DATE	SERIES MATERIAL NUMBER CUSTOMER		
▽ = 0	DRWN: NSRIVATSAHS	CHKD: PRAMASWAMY	APPR: PRAMASWAMY	DRAFT WHERE APPLICABLE MUST REMAIN WITHIN DIMENSIONS	0 PLACES ±	APPR BY	DATE	171294 SEE CHART GENERAL MARKET		
▽ = 0	DRWN: NSRIVATSAHS	CHKD: PRAMASWAMY	APPR: PRAMASWAMY			DRAWING SIZE	THIRD ANGLE PROJECTION	DOCUMENT NUMBER DOC TYPE DOC PART SHEET NUMBER		
▽ = 0	DRWN: NSRIVATSAHS	CHKD: PRAMASWAMY	APPR: PRAMASWAMY			D	Third Angle Projection Symbol	SD-171294-0002 PSD 001 1 OF 3		

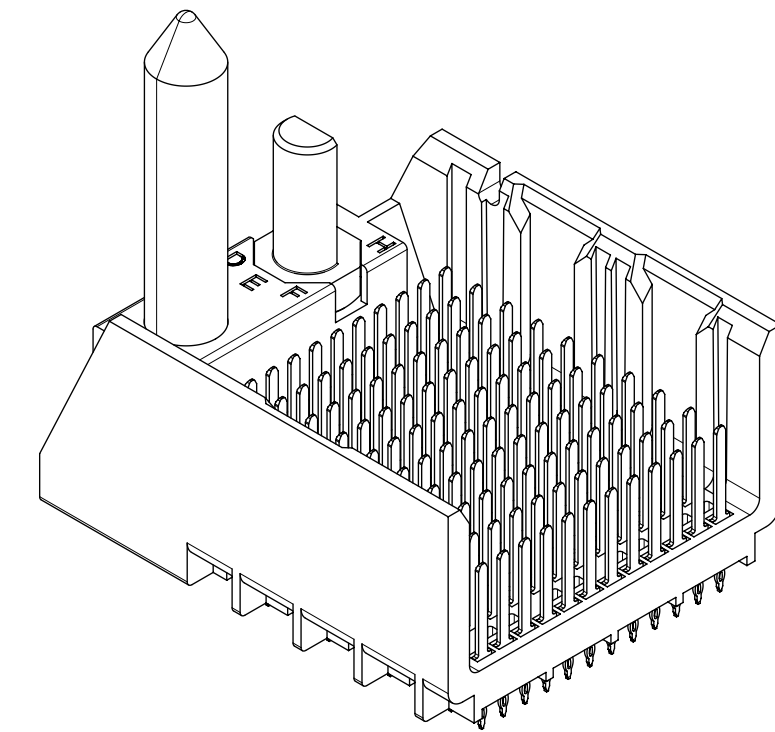
# PART NUMBER CHART

MATERIAL NUMBER	# OF COLUMNS	# OF DIFF PAIR	DIM "A"	DIM "B"	GUIDE LEFT END WALL OPTION
171294-73**	6	24	19.3	9.50	
171294-78**	8	32	23.1	13.30	
171294-71**	10	40	26.9	17.10	
171294-76**	16	64	38.3	28.50	



GUIDE LEFT  
END WALL  
OPTION

MATERIAL NUMBER	# OF COLUMNS	# OF DIFF PAIR	DIM "A"	DIM "B"	GUIDE LEFT OPEN WALL OPTION
171294-33**	6	24	17.9	9.50	
171294-38**	8	32	21.7	13.30	
171294-31**	10	40	25.5	17.10	
171294-36**	16	64	36.9	28.50	



GUIDE LEFT  
OPEN WALL  
OPTION

# PART NUMBER LOGIC

171294- \* \* \* \*

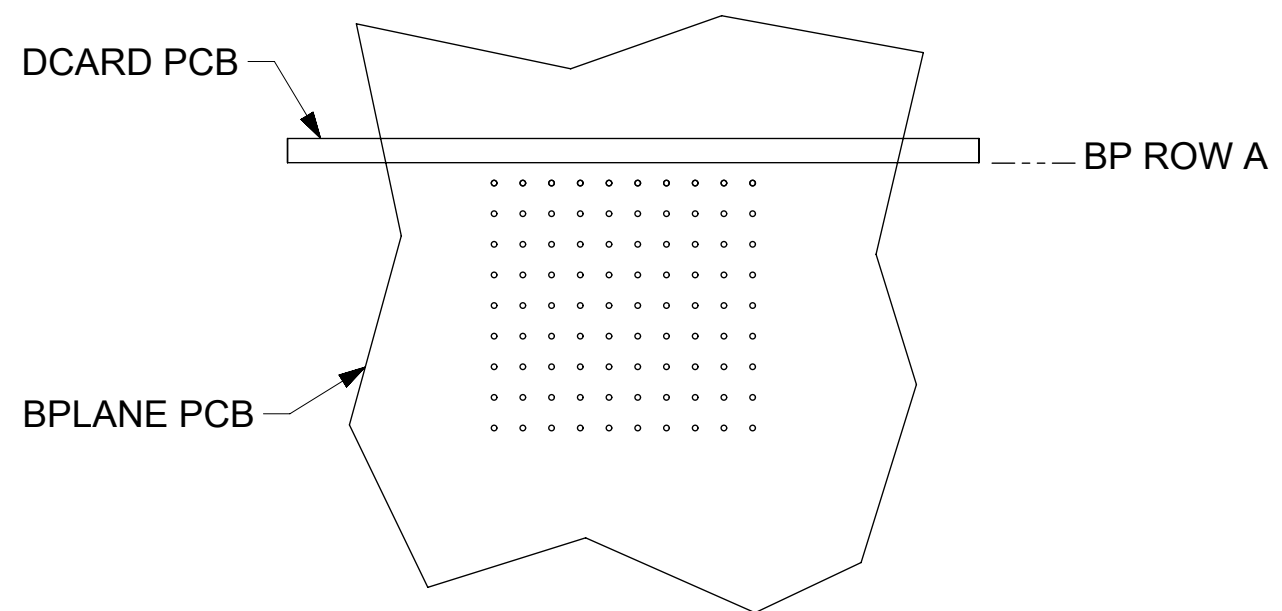
MODULE TYPE  
 3 = GUIDE LEFT, MATTE TIN  
 7 = GUIDE LEFT END WALL, MATTE TIN

# OF COLUMNS  
 1 = 10 COL  
 3 = 6 COL  
 6 = 16 COL  
 8 = 8 COL

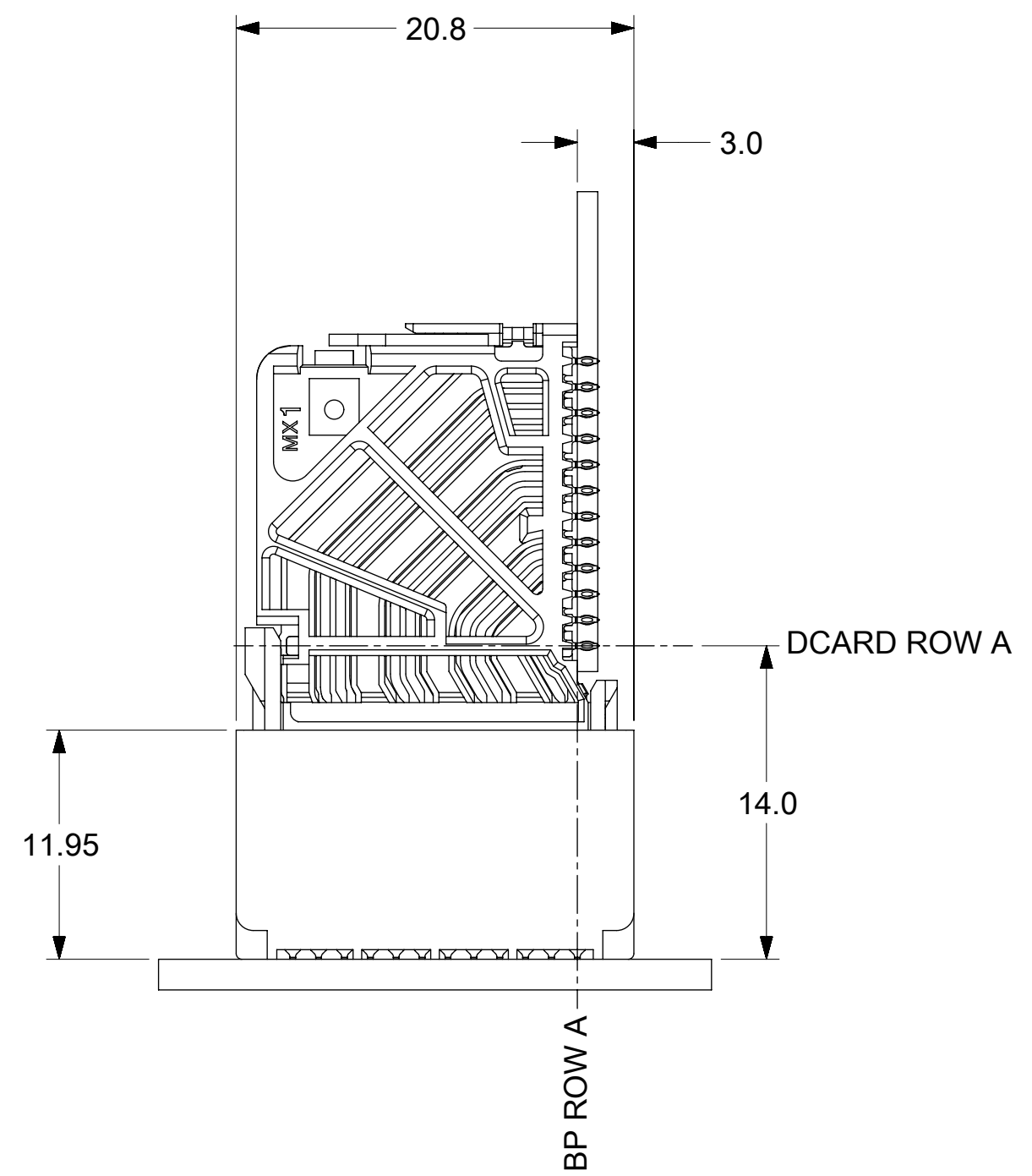
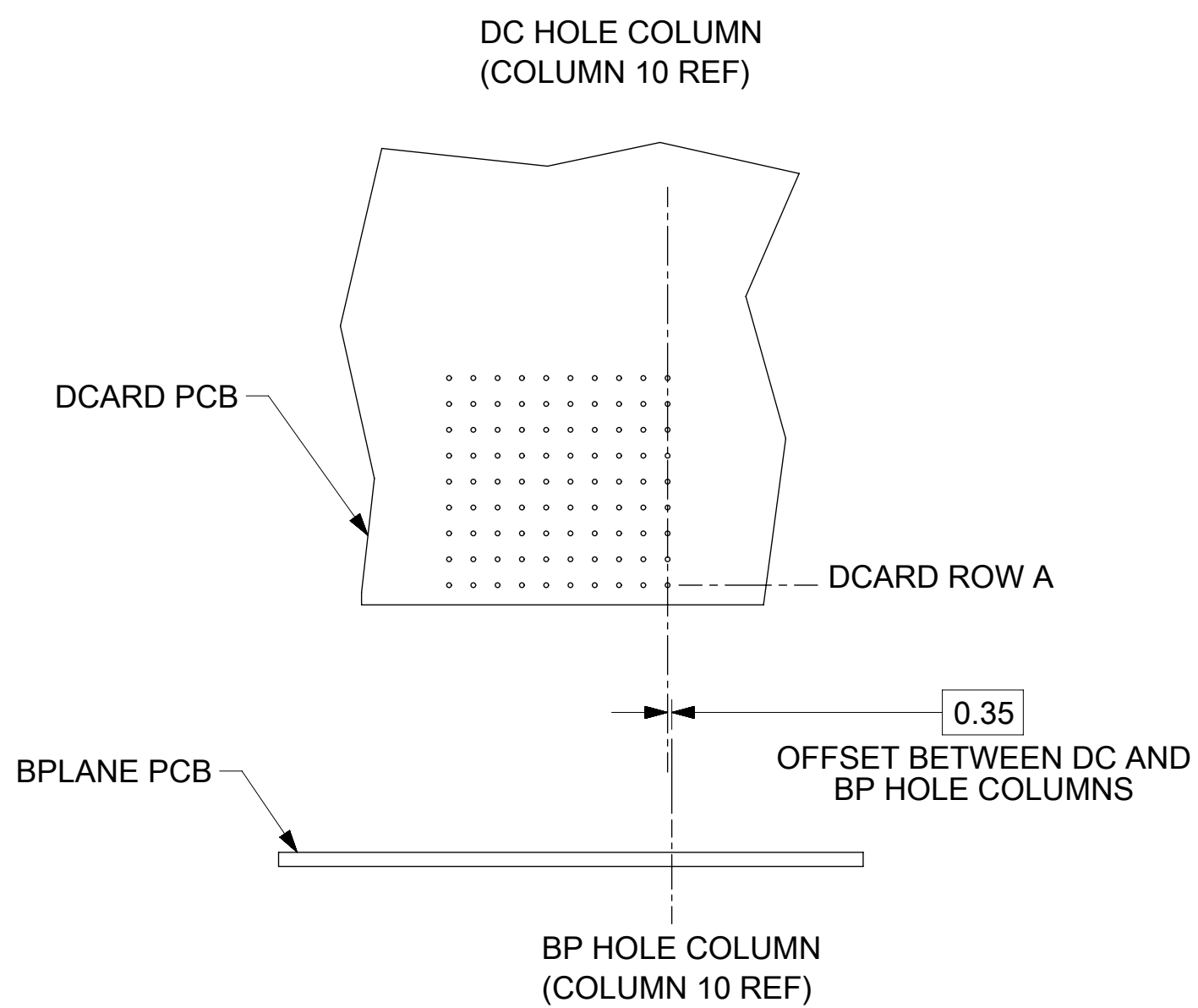
PIN LENGTH (P)  
 3 = 4.50 (SHORT COMPLIANT, 0.46±0.05 PTH)  
 4 = 4.90 (SHORT COMPLIANT, 0.46±0.05 PTH)  
 5 = 5.50 (SHORT COMPLIANT, 0.46±0.05 PTH)  
 6 = 4.50 (MICRO COMPLIANT, 0.39±0.05 PTH)  
 7 = 4.90 (MICRO COMPLIANT, 0.39±0.05 PTH)  
 8 = 5.50 (MICRO COMPLIANT, 0.39±0.05 PTH)

KEY ORIENTATION  
 0 = NO KEY  
 1 = A  
 2 = B  
 3 = C  
 4 = D  
 5 = E  
 6 = F  
 7 = G  
 8 = H

QUALITY SYMBOLS	THIS DRAWING CONTAINS INFORMATION THAT IS PROPRIETARY TO MOLEX ELECTRONIC TECHNOLOGIES, LLC AND SHOULD NOT BE USED WITHOUT WRITTEN PERMISSION										
▽ = 0	EC NO: 123322 DRWN: NSRVATSAHS 2017/10/09 CHKD: PRAMASWAMY 2017/10/17 APPR: PRAMASWAMY 2017/10/18 MIGRATED TO NX	GENERAL TOLERANCES (UNLESS SPECIFIED)		DIMENSION UNITS	SCALE						
▽ = 0		ANGULAR TOL ± 0.5 °		mm	3:1						
▽ = 0		4 PLACES ±	DRWN BY		DATE		IMPACT 4 PAIR BACKPLANE LEFT GUIDED ASSEMBLY SALES DRAWING				
▽ = 0		3 PLACES ±	JBINGHAM		2011/11/18						
▽ = 0		2 PLACES ± 0.13	CHKD BY		DATE						
▽ = 0		1 PLACE ± 0.25	JLAURX		2011/11/18						
⊠ = 0		0 PLACES ±	APPR BY		DATE		PRODUCT CUSTOMER DRAWING				
■ = 0		DRAFT WHERE APPLICABLE MUST REMAIN WITHIN DIMENSIONS		JLAURX		2011/12/02		SERIES	MATERIAL NUMBER	CUSTOMER	
▽ = 0		C1	DRAWING SIZE		THIRD ANGLE PROJECTION		171294	SEE CHART	GENERAL MARKET		
			C					DOCUMENT NUMBER	DOC TYPE	DOC PART	SHEET NUMBER
							SD-171294-0002	PSD	001	2 OF 3	



**IMPACT 4 PAIR BOARD RELATIONSHIPS**



QUALITY SYMBOLS ▽ = 0 ▽ = 0 ▽ = 0 ▼ = 0 ▽ = 0 ⊠ = 0 ■ = 0 ▽ = 0	THIS DRAWING CONTAINS INFORMATION THAT IS PROPRIETARY TO MOLEX ELECTRONIC TECHNOLOGIES, LLC AND SHOULD NOT BE USED WITHOUT WRITTEN PERMISSION													
	EC NO: 123322 DRWN: NSRVATSAHS CHKD: PRAMASWAMY REV: APPR: PRAMASWAMY	2017/10/09 2017/10/17 2017/10/18	GENERAL TOLERANCES (UNLESS SPECIFIED) ANGULAR TOL ± 0.5 ° 4 PLACES ± 3 PLACES ± 2 PLACES ± 0.13 1 PLACE ± 0.25 0 PLACES ±	DIMENSION UNITS: mm SCALE: 1:1	DRWN BY: JBINGHAM DATE: 2011/11/18	<p><b>IMPACT 4 PAIR BACKPLANE LEFT GUIDED ASSEMBLY SALES DRAWING</b></p>					PRODUCT CUSTOMER DRAWING			
MIGRATED TO NX EC NO: 123322 DRWN: NSRVATSAHS CHKD: PRAMASWAMY REV: APPR: PRAMASWAMY	2017/10/09 2017/10/17 2017/10/18	DRAFT WHERE APPLICABLE MUST REMAIN WITHIN DIMENSIONS	DRAWING SIZE: C	THIRD ANGLE PROJECTION	CHKD BY: JLAURX DATE: 2011/11/18						APPR BY: JLAURX DATE: 2011/12/02	SERIES: 171294 MATERIAL NUMBER: SEE CHART DOCUMENT NUMBER: SD-171294-0002	CUSTOMER: GENERAL MARKET DOC TYPE: PSD DOC PART: 001	SHEET NUMBER: 3 OF 3