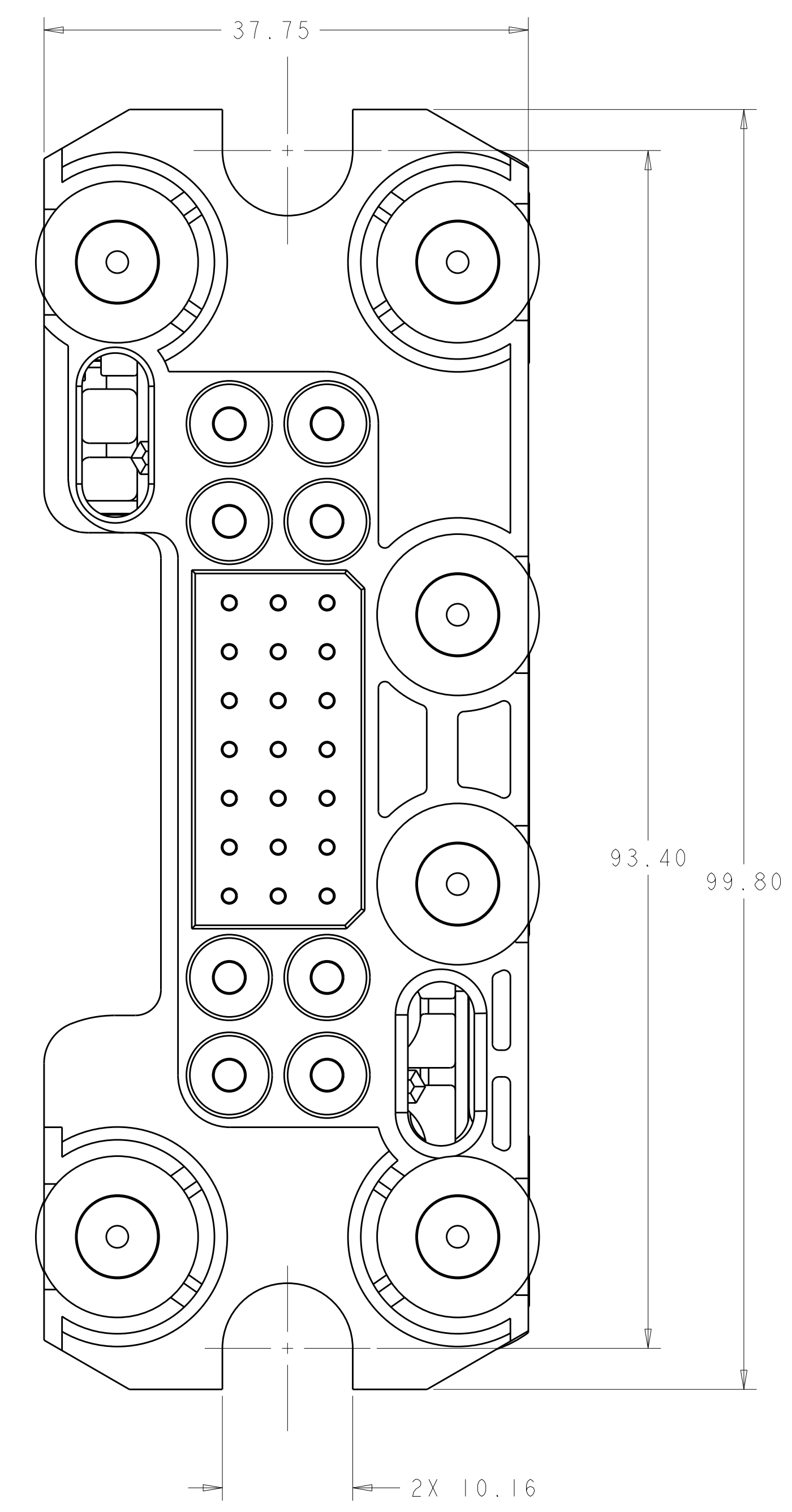
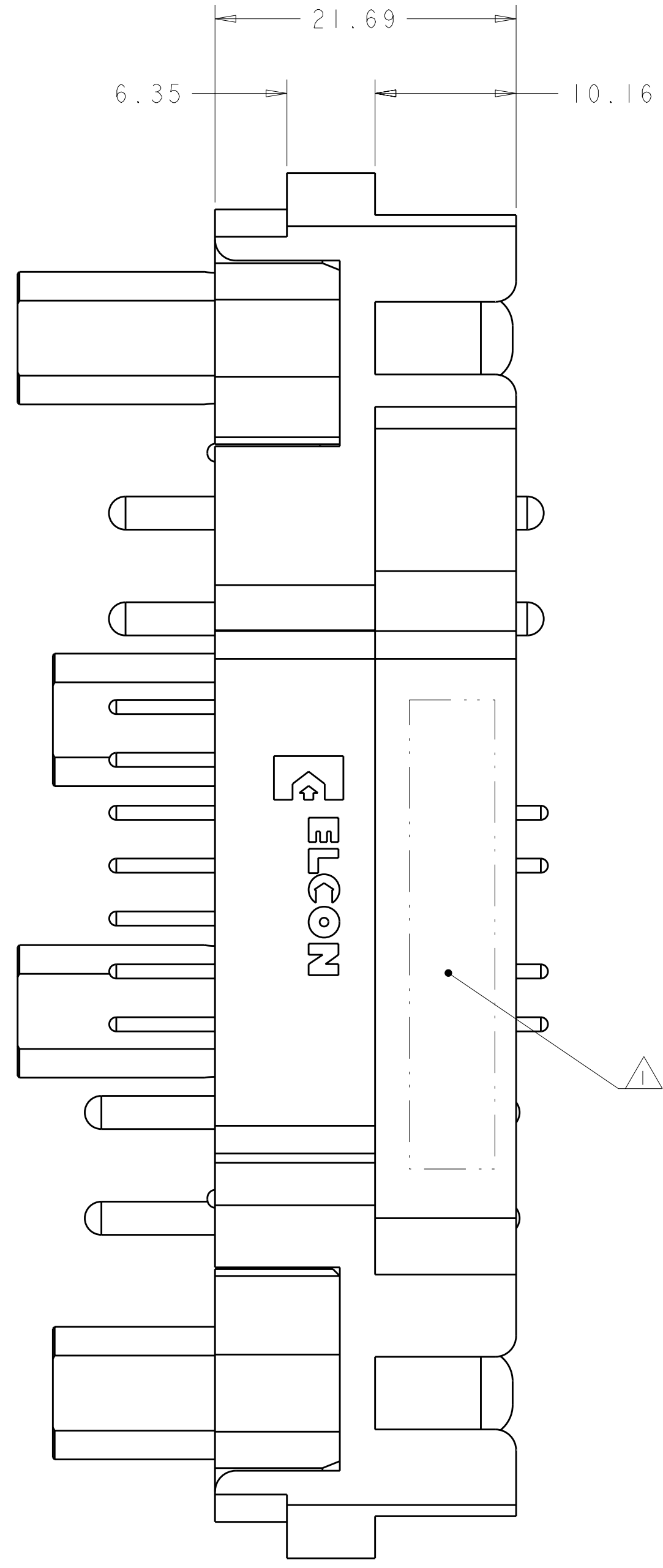
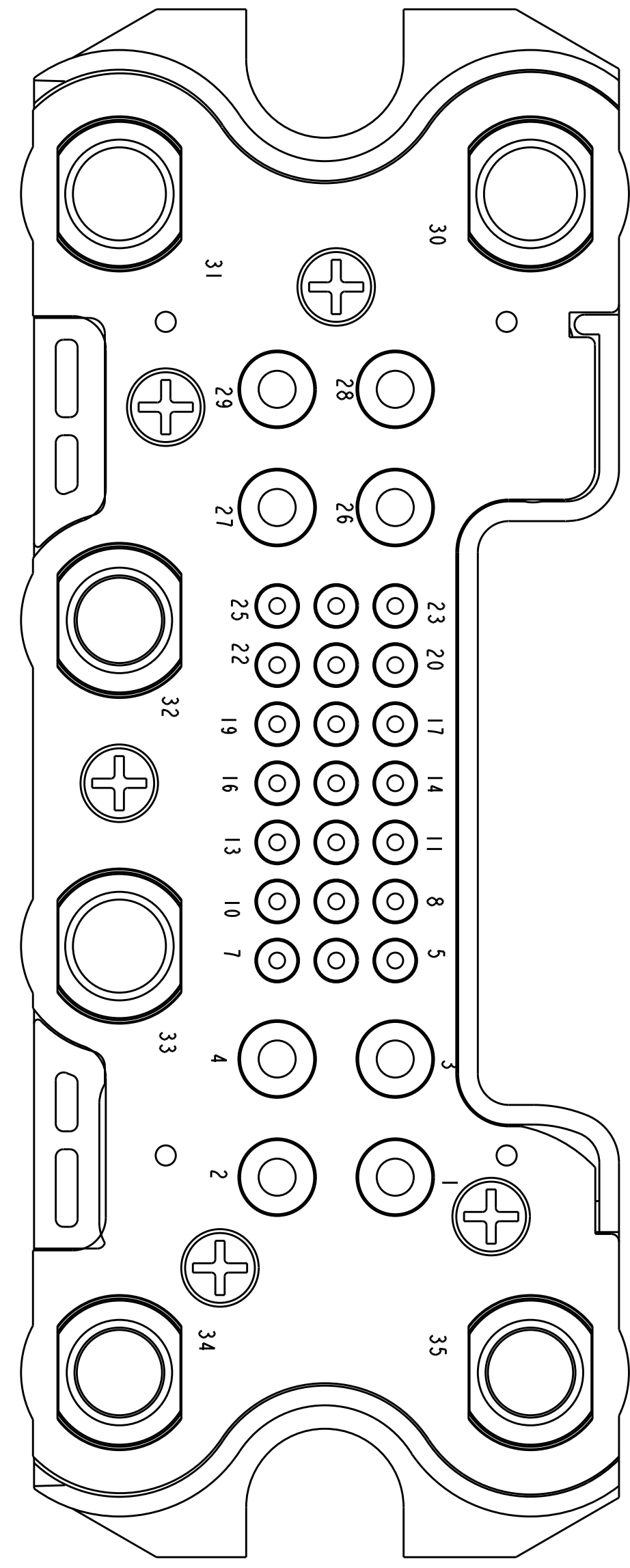
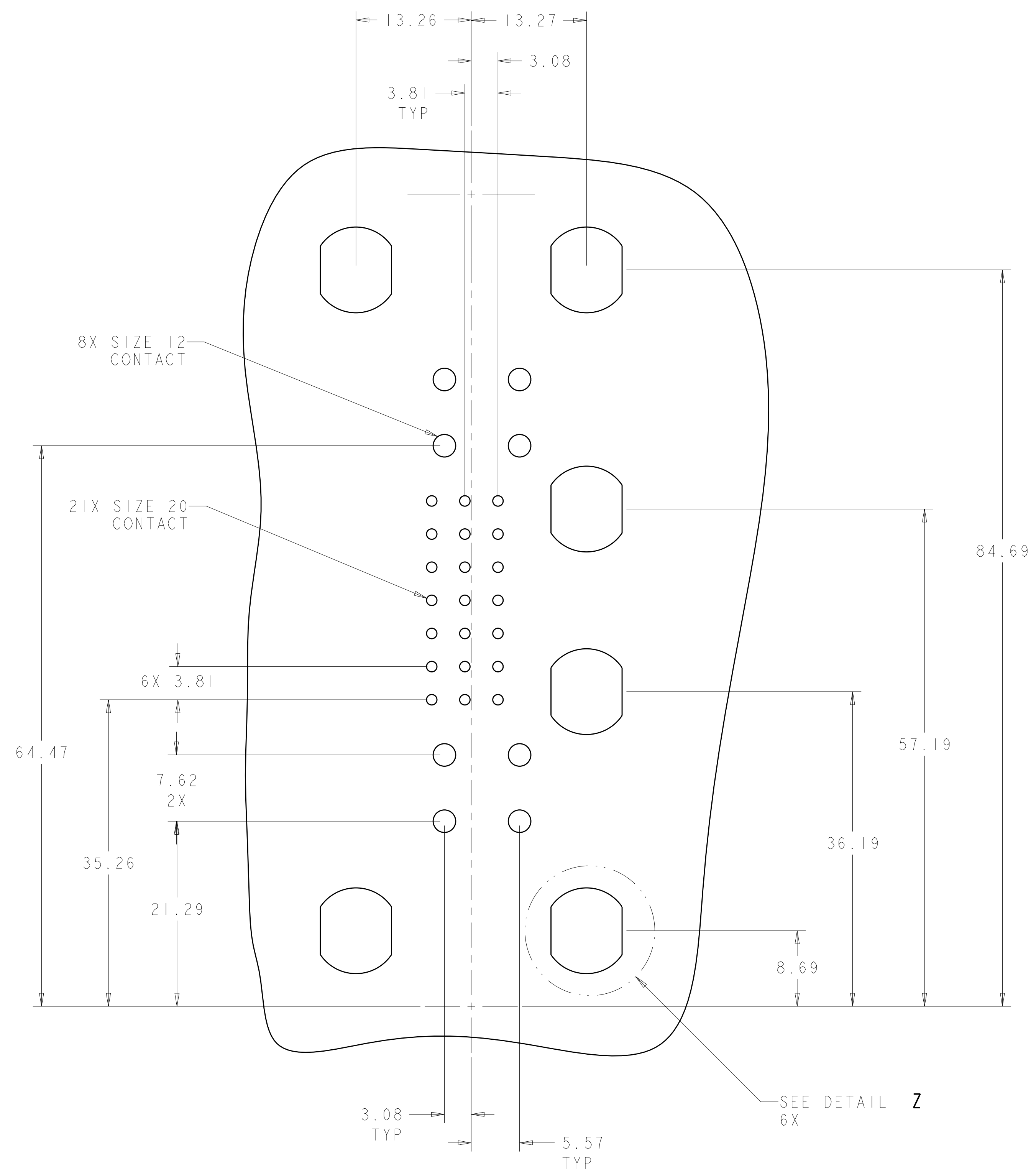


LOC		DIST		REVISIONS			
P	LTR	DESCRIPTION	DATE	DWN	APVD		
GP	00						
A		RELEASED	21 JUL 2009	RG	DO		
B		REV PER ECO-11-000358	14 JAN 2011	RG	DO		



DIMENSIONS: mm 		TOLERANCES UNLESS OTHERWISE SPECIFIED: 9 PLC ±.3 7 PLC ±.3 5 PLC ±.25 4 PLC ±. ANGLES ±. FINISH ±.		DWN: R. GRZYBOWSKI 21 JUL 2009 CHK: D. ORRIS 21 JUL 2009 APVD: M. PERCHERIE 21 JUL 2009 PRODUCT SPEC: 108-2285 APPLICATION SPEC: 114-13206 WEIGHT: - CUSTOMER DRAWING		Tyco Electronics Harrisburg, PA 17105-3608 NAME: PIN CONNECTOR ASSEMBLY SCREW MOUNT CUSTOM DRAWER, CAT65 SIZE: A   CAGE CODE: C=1926037   DRAWING NO: 100779 RESTRICTED TO: - SCALE: 3:1   SHEET: 1 OF 2   REV: B	
-----------------------	--	--	--	---	--	--	--

LOC	DIST	REV	DATE	BY	APPD
GP	00				

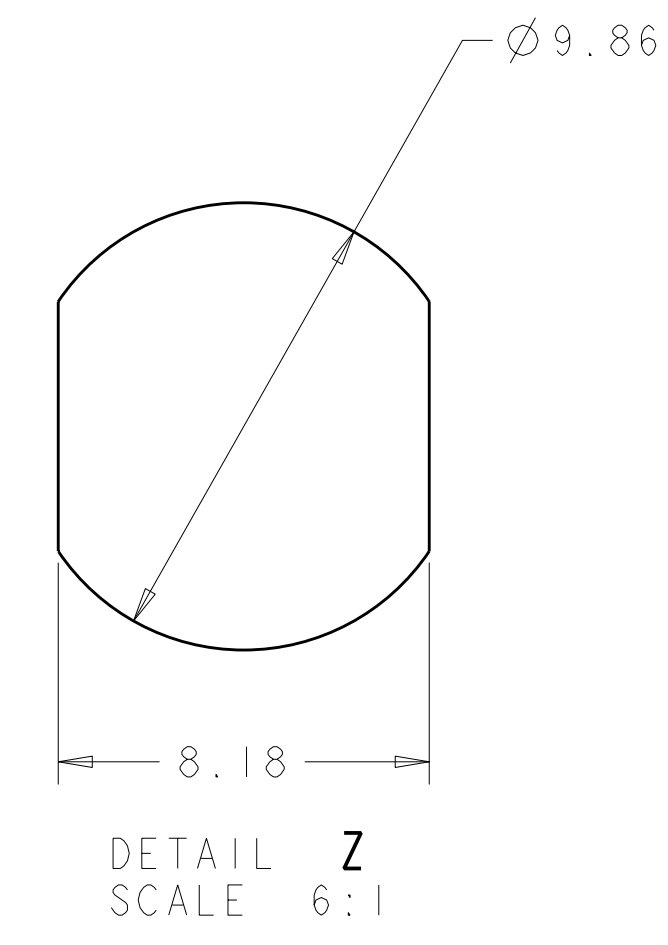


**SUGGESTED PCB LAYOUT**  
 VIEWED FROM CONNECTOR MOUNTING SIDE

HOLE SIZE No.20  
 FINISHED HOLE:  $\varnothing 1.19 \pm 0.08$   
 DRILLED HOLE:  $\varnothing 1.151 \pm 0.013$   
 COPPER PLATE: 0.025 MIN (PER SURFACE)  
 TIN PLATE: 0.076 MIN (PER SURFACE)

HOLE SIZE No.12  
 FINISHED HOLE:  $\varnothing 2.59 \pm 0.08$   
 DRILLED HOLE:  $\varnothing 2.705 \pm 0.013$   
 COPPER PLATE: 0.025 MIN (PER SURFACE)  
 TIN PLATE: 0.076 MIN (PER SURFACE)

HOLE SIZE No.4  
 CLEARANCE HOLE: SEE DETAIL Y



ITEMS PROVIDED TO THIS SPECIFICATION SHALL BE PERMANENTLY IDENTIFIED PER THE FOLLOWING IDENTIFIER:

YEAR 1 WEEK 1  
 TYCO ELECTRONICS P/N DATE CODE (e.g. 0225)  
 XXXXXXX-X XXXX

2. PART NUMBER CHANGES AND OR DESIGN CHANGES AFFECTING ITEM INTERCHANGEABILITY REQUIRE PRIOR TYCO ELECTRONICS APPROVAL AND AUTHORIZATION BY REVISION TO THIS DRAWING.

3. MATERIAL:  
 INSULATOR: THERMOPLASTIC, GLASS REINFORCED, UL RATED 94V-0, COLOR: BLACK  
 PIN CONTACTS: COPPER ALLOY  
 RETENTION CLIPS: BERYLLIUM COPPER OR STAINLESS STEEL

4. FINISH:  
 SIZE No.20 CONTACTS: GOLD PLATE 0.76  $\mu$ m MIN THK OVER NICKEL 1.02  $\mu$ m MIN THK  
 SIZE No.12 AND 4 CONTACTS: SILVER PLATE 5.08  $\mu$ m MIN THK OVER NICKEL 1.02  $\mu$ m MIN THK

5. PCB TAILS CONTACTS ARE INSERTABLE/NONREMOVABLE:  
 SIZE No.20 (ITEM E) LOADED IN POSN. 5, 8, 16 AND 19  
 SIZE No.20 (ITEM F) LOADED IN POSN 6, 7, 9 THRU 15, 17, 18, 20 THRU 25  
 SIZE No.12 (ITEM H) LOADED IN POSN 1 THRU 4  
 SIZE No.12 (ITEM G) LOADED IN POSN 26 THRU 29  
 SIZE No.4 (ITEM D) LOADED IN POSN 30, 31 AND 33  
 SIZE No.4 (ITEM C) LOADED IN POSN 32, 34 AND 35

6. 15 in lbs MAX. TORQUE APPLIED ON SIZE 1/4 PIN CONTACT.

ITEM	PART NO.	DESCRIPTION	ITEM
5	1766849-1	SCREW, SELF TAPPING	L
8	1650489-1	CLIP, RETENTION, No.12	K
21	1650484-1	CLIP, RETENTION, No.20	J
4	1766217-2	CONTACT, No.12, PCB TAIL	H
4	1766217-1	CONTACT, No.12, PCB TAIL, PREMATE	G
17	1650195-4	CONTACT, No.20, PCB TAIL	F
4	1650195-2	CONTACT, No.20, PCB TAIL, PREMATE	E
3	1766228-1	CONTACT, 1/4" TAPPED M5, 35.66mm LG	D
3	1766227-1	CONTACT, 1/4" TAPPED M5, 33.12mm LG	C
1	1651798-1	HOUSING, PIN, REAR INSERT	B
1	1651797-1	HOUSING, PIN, FRONT	A
-1	PART NO.	DESCRIPTION	ITEM

DIMENSIONS: mm 9 PLC $\pm .3$ 1 PLC $\pm .3$ 2 PLC $\pm .25$ 3 PLC $\pm .25$ 4 PLC $\pm .25$ ANGLES $\pm .1$ FINISH $\pm .1$		TOLERANCES UNLESS OTHERWISE SPECIFIED: 9 PLC $\pm .3$ 1 PLC $\pm .3$ 2 PLC $\pm .25$ 3 PLC $\pm .25$ 4 PLC $\pm .25$ ANGLES $\pm .1$ FINISH $\pm .1$		DWN R. GRZYBOWSKI 21 JUL 2009 CHK D. ORRIS 21 JUL 2009 APVD M. PERCHERIE 21 JUL 2009 NAME PRODUCT SPEC 108-2285 APPLICATION SPEC 114-13206 WEIGHT CUSTOMER DRAWING		Tyco Electronics Harrisburg, PA 17105-3608 PIN CONNECTOR ASSEMBLY SCREW MOUNT CUSTOM DRAWER, CAT65 SIZE CAGE CODE DRAWING NO A100779C=1926037 SCALE 3:1 SHEET 2 OF 2 REV B	
---	--	---	--	---	--	---	--