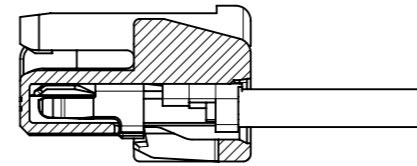
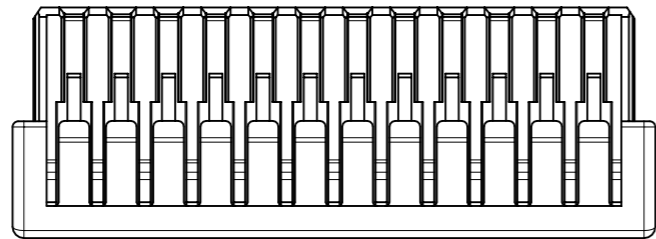


奇数キャビティ : キャビティ番号及び金型番号  
 偶数キャビティ : トレードマーク  
 ODD CAV:CAVITY & MOLD NUMBER  
 EVEN CAV:TRADE MARK

奇数キャビティ : トレードマーク  
 偶数キャビティ : キャビティ番号及び金型番号  
 ODD CAV:TRADE MARK  
 EVEN CAV:CAVITY & MOLD NUMBER



ターミナル装着図  
 TERMINAL ASSEMBLY DRAWING

注記 :

NOTES :

- ① 材質 : TABLE 1参照  
 MATERIAL : SEE TABLE 1.
- ② 偶数極に適用。  
 APPLY TO EVEN CIRCUIT.
- ③ 製品仕様書、コネクタ取扱説明書、適合嵌合相手、適合ターミナルはSHEET 3をご参照ください。  
 PLEASE REFER TO SHEET 3 FOR PRODUCT SPECIFICATION, APPLICATION SPECIFICATION,  
 MATE WITH AND APPLICABLE TERMINAL.
- ④ 発注番号  
 ORDER NUMBER

204532\*\*0\*

極数  
 CIRCUIT SIZE

| 番号<br>NO. | ハウジングカラー<br>HOUSING COLOR   |
|-----------|-----------------------------|
| 0         | ナチュラル(白)<br>NATURAL (WHITE) |
| 1         | 黒 BLACK                     |

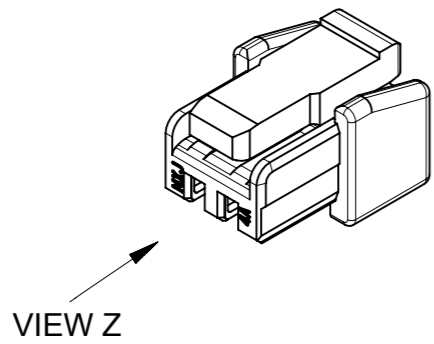
|       |       |                    |
|-------|-------|--------------------|
| 18.75 | 22    | 16                 |
| 17.5  | 20.75 | 15                 |
| 16.25 | 19.5  | 14                 |
| 15    | 18.25 | 13                 |
| 13.75 | 17    | 12                 |
| 12.5  | 15.75 | 11                 |
| 11.25 | 14.5  | 10                 |
| 10    | 13.25 | 9                  |
| 8.75  | 12    | 8                  |
| 7.5   | 10.75 | 7                  |
| 6.25  | 9.5   | 6                  |
| 5     | 8.25  | 5                  |
| 3.75  | 7     | 4                  |
| 2.5   | 5.75  | 3                  |
| 1.25  | 4.5   | 2                  |
| B     | A     | 極数<br>CIRCUIT SIZE |

① TABLE 1

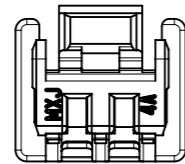
| 部品<br>PART       | 材質<br>MATERIAL   |
|------------------|--|
| ハウジング<br>HOUSING | ポリエステル(PBT), UL94 V-0, 色 : SHEET 3参照<br>POLYESTER(PBT), UL94 V-0, COLOR : SEE SHEET 3. |
| DOCUMENT STATUS  | P1   |
| RELEASE DATE     | 2022/11/30 03:03:33  |

|   |       |  |  |  |  |
|---|-------|--|--|--|--|
| THIS DRAWING CONTAINS INFORMATION THAT IS PROPRIETARY TO MOLEX ELECTRONIC TECHNOLOGIES, LLC AND SHOULD NOT BE USED WITHOUT WRITTEN PERMISSION |       | CURRENT REV DESC:                                    |  |  |  |
| DIMENSION UNITS   | SCALE | EC NO: 720259  |  |  |  |
| mm  | NTS   | DRWN: SOKUMURA01 2022/10/31                          |  | MICRO-LOCK PLUS 1.25 W/B<br>SINGLE ROW RECEPTACLE HOUSING<br>LOW-HALOGEN |  |
| GENERAL TOLERANCES (UNLESS SPECIFIED)   |       | CHK'D: SAKIYAMA 2022/11/28                           |  |  |  |
| ANGULAR TOL ± 3.0°  |       | APPR: AIDA 2022/11/30                                |  | PRODUCT CUSTOMER DRAWING   |  |
| 4 PLACES  | ± 0.2 | INITIAL REVISION:                                    |  | DOCUMENT NUMBER  |  |
| 3 PLACES  | ± 0.2 | DRWN: RWATANABE01 2017/09/15                         |  | 2045320000-SD  |  |
| 2 PLACES  | ± 0.2 | APPR: TKANEKO 2017/09/26                             |  | PSD 000 F  |  |
| 1 PLACE   | ± 0.2 | DRAFT WHERE APPLICABLE MUST REMAIN WITHIN DIMENSIONS |  | SHEET NUMBER   |  |
| 0 PLACES  | ± 0.2 | THIRD ANGLE PROJECTION                               |  | 1 OF 3   |  |
| DRAWING   |       | SERIES   |  | CUSTOMER   |  |
| A3-SIZE   |       | 204532   |  | GENERAL  |  |

製品形状  
PRODUCT SHAPE

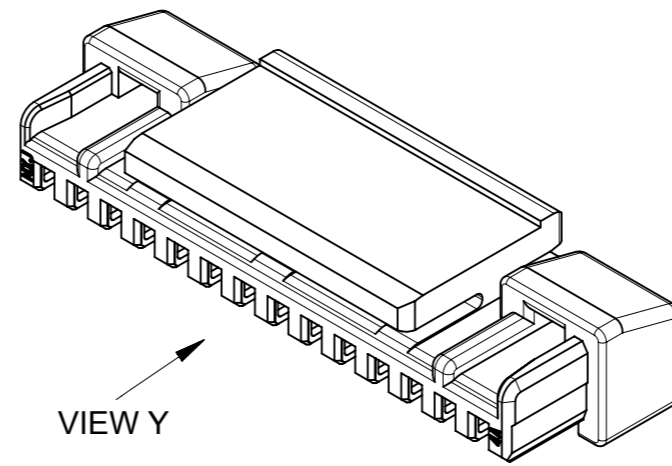


VIEW Z

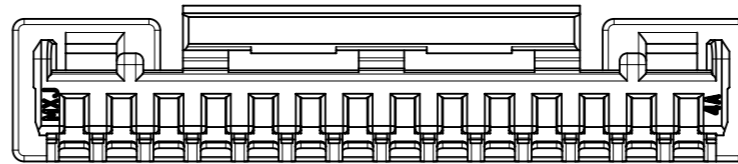


VIEW Z

2-13極  
2-13 CIRCUIT



VIEW Y



VIEW Y

14-16極  
14-16 CIRCUIT

|   |         |                   |            |                 |  |                 |  |              |  |              |
|---|---------|-------------------|------------|-----------------|--|-----------------|--|--------------|--|--------------|
| THIS DRAWING CONTAINS INFORMATION THAT IS PROPRIETARY TO MOLEX ELECTRONIC TECHNOLOGIES, LLC AND SHOULD NOT BE USED WITHOUT WRITTEN PERMISSION |         |                   |            |                 |  |                 |  |              |  |              |
| DIMENSION UNITS   | SCALE   | CURRENT REV DESC: |            |                 |  |                 |  |              |  |              |
| mm  | NTS     |                   |            |                 |  |                 |  |              |  |              |
| GENERAL TOLERANCES (UNLESS SPECIFIED)   |         |                   |            |                 |  |                 | MICRO-LOCK PLUS 1.25 W/B SINGLE ROW RECEPTACLE HOUSING LOW-HALOGEN |              |  |              |
| ANGULAR TOL   | ± 3.0 ° |                   |            |                 |  |                 | PRODUCT CUSTOMER DRAWING   |              |  |              |
| 4 PLACES  | ± 0.2   | EC NO: 720259     |            |                 |  | DOCUMENT NUMBER |  |              |  |              |
| 3 PLACES  | ± 0.2   | DRWN: SOKUMURA01  | 2022/10/31 |                 |  | 2045320000-SD   |  |              |  |              |
| 2 PLACES  | ± 0.2   | CHK'D: SAKIYAMA   | 2022/11/28 |                 |  | DOC TYPE        | DOC PART   | REVISION     |  |              |
| 1 PLACE   | ± 0.2   | APPR: AIDA        | 2022/11/30 |                 |  | PSD             | 000  | F            |  |              |
| 0 PLACES  | ± 0.2   | INITIAL REVISION: |            |                 |  |                 |  |              |  |              |
| DRAFT WHERE APPLICABLE MUST REMAIN WITHIN DIMENSIONS  |         | DRWN: RWATANABE01 | 2017/09/15 |                 |  | MATERIAL NUMBER |  | CUSTOMER     |  | SHEET NUMBER |
|   |         | APPR: TKANEKO     | 2017/09/26 |                 |  | SEE SHEET 3     |  | GENERAL      |  | 2 OF 3       |
| THIRD ANGLE PROJECTION  |         | DRAWING           | SERIES     | MATERIAL NUMBER |  | CUSTOMER        |  | SHEET NUMBER |  |              |
|   |         | A3-SIZE           | 204532     | SEE SHEET 3     |  | GENERAL         |  | 2 OF 3       |  |              |

|                 |    |              |            |          |
|-----------------|----|--------------|------------|----------|
| DOCUMENT STATUS | P1 | RELEASE DATE | 2022/11/30 | 03:03:33 |
|-----------------|----|--------------|------------|----------|

△ 3 適合製品及び各種仕様書 APPLICABLE PRODUCTS AND VARIOUS SPECIFICATIONS

|                                  |             |                      |
|----------------------------------|-------------|----------------------|
| 梱包仕様書<br>PACKAGING SPECIFICATION | PART NUMBER | SPECIFICATION NUMBER |
|                                  | 204532**0*  | 2045329200 PS 200    |


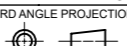
|                                |             |              |                |
|--------------------------------|-------------|--------------|----------------|
| 適合ターミナル<br>APPLICABLE TERMINAL | PART NUMBER | PLATING TYPE | WIRE SIZE(AWG) |
|                                | 5054311000  | TIN          | #26-30         |
|                                | 5054311100  | GOLD         |                |

|  |                      |             |                           |                         |                         |                      |
|--|----------------------|-------------|---------------------------|-------------------------|-------------------------|----------------------|
| 適合嵌合相手<br>MATE WITH                    | WIRE TO BOARD        |             |                           |                         | WIRE TO WIRE            |                      |
|  | TIN PLATING          |             | GOLD PLATING              |                         | TIN PLATING             |                      |
|  | VERTICAL             | RIGHT ANGLE | VERTICAL<br>(FOR POTTING) | VERTICAL                | RIGHT ANGLE             | ---                  |
|  | 2-16CKT              |             |                           |                         | 2-9CKT                  |                      |
| 製品番号<br>PART NUMBER                    | 204530**7*           | 204529**7*  | 205957**7*                | 204530****<br>3, 5, 8 ▲ | 204529****<br>3, 5, 8 ▲ | 2145252***           |
| 製品仕様書<br>PRODUCT SPECIFICATION         | 2045320000-PS PS 000 |             | 2045320001-PS PS 000      | 2045320000-PS PS 001    |                         | 5055650003-PS PS 000 |
| コネクタ取扱説明書<br>APPLICATION SPECIFICATION | 5055650000-AS PS 000 |             |                           |                         |                         |                      |

製品嵌合図は各嵌合相手図面を参照のこと  
MATING VIEW : REFER TO EACH "MATE WITH" PART DRAWING.

△ 4 204532\*\*0\* 発注番号一覧 ORDER NUMBER LIST

| BLACK                                     | NATURAL (WHITE) | HOUSING COLOR      |
|---|-----------------|--------------------|
| 2045321601                                | 2045321600      | 16                 |
| 2045321501                                | 2045321500      | 15                 |
| 2045321401                                | 2045321400      | 14                 |
| 2045321301                                | 2045321300      | 13                 |
| 2045321201                                | 2045321200      | 12                 |
| 2045321101                                | 2045321100      | 11                 |
| 2045321001                                | 2045321000      | 10                 |
| 2045320901                                | 2045320900      | 9                  |
| 2045320801                                | 2045320800      | 8                  |
| 2045320701                                | 2045320700      | 7                  |
| 2045320601                                | 2045320600      | 6                  |
| 2045320501                                | 2045320500      | 5                  |
| 2045320401                                | 2045320400      | 4                  |
| 2045320301                                | 2045320300      | 3                  |
| 2045320201                                | 2045320200      | 2                  |
| 発注番号 ORDER NUMBER                         |                 | 極数<br>CIRCUIT SIZE |
| 梱包形態 : ポリ袋<br>PACKAGING : POLYBAG PACKAGE |                 |                    |

|   |                              |   |         |  |   |  |  |  |  |
|---|------------------------------|---|---------|--|---|--|--|--|--|
| THIS DRAWING CONTAINS INFORMATION THAT IS PROPRIETARY TO MOLEX ELECTRONIC TECHNOLOGIES, LLC AND SHOULD NOT BE USED WITHOUT WRITTEN PERMISSION |                              |   |         |  |   |  |  |  |  |
| DIMENSION UNITS   | SCALE                        | CURRENT REV DESC:   |         |  | <br>MICRO-LOCK PLUS 1.25 W/B<br>SINGLE ROW RECEPTACLE HOUSING<br>LOW-HALOGEN |  |  |  |  |
| mm  | NTS                          |   |         |  |   |  |  |  |  |
| GENERAL TOLERANCES<br>(UNLESS SPECIFIED)  |                              | EC NO: 720259   |         |  | PRODUCT CUSTOMER DRAWING  |  |  |  |  |
| ANGULAR TOL ± 3.0 °   |                              | DRWN: SOKUMURA01 2022/10/31   |         |  |   |  |  |  |  |
| 4 PLACES ± 0.2  | CHK'D: SAKIYAMA 2022/11/28   |   |         | DOCUMENT NUMBER: 2045320000-SD   DOC TYPE: PSD   DOC PART: 000   REVISION: F |   |  |  |  |  |
| 3 PLACES ± 0.2  | APPR: AIDA 2022/11/30        |   |         |  |   |  |  |  |  |
| 2 PLACES ± 0.2  | INITIAL REVISION:            |   |         | MATERIAL NUMBER: 204532   CUSTOMER: GENERAL   SHEET NUMBER: 3 OF 3           |   |  |  |  |  |
| 1 PLACE ± 0.2   | DRWN: RWATANABE01 2017/09/15 |   |         |  |   |  |  |  |  |
| 0 PLACES ± 0.2  | APPR: TKANEKO 2017/09/26     |   |         |  |   |  |  |  |  |
| DRAFT WHERE APPLICABLE<br>MUST REMAIN<br>WITHIN DIMENSIONS  |                              | THIRD ANGLE PROJECTION  | DRAWING | SERIES   |   |  |  |  |  |
|   |                              |  | A3-SIZE | 204532   |   |  |  |  |  |