



**120 ° Adjustable
Illumination**



**6 ft Power Cord
w/ 100V Plug**

**High
Brightness**

14 Watts x 2
LEDs

**Crack
Resistant**

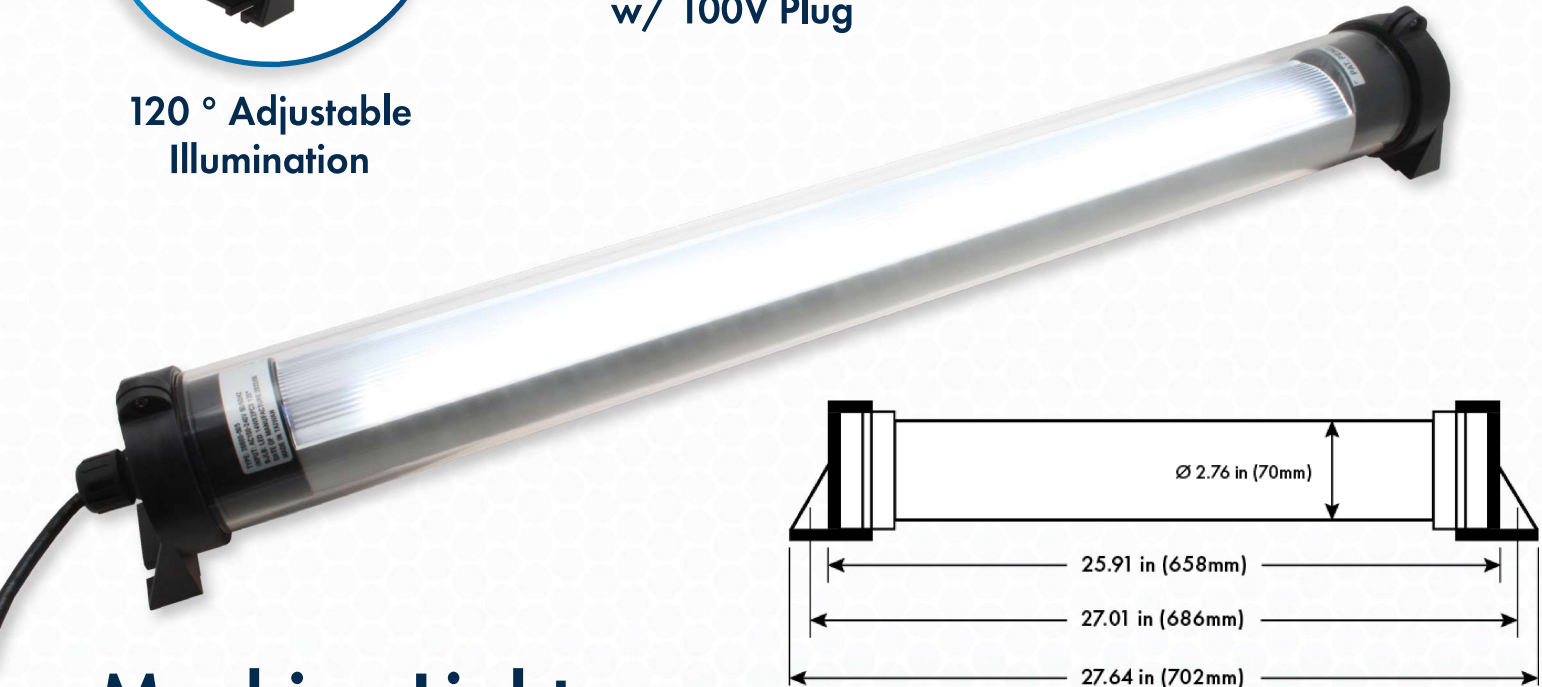
Durable acrylic
diffuser lens

IP67 Rated

Sealed to keep
out fluids, chips
& shavings

**Angle Light
0° - 120°**

Adjustable
mounting
bracket



Machine Light

Tubular LED Machine Light 2 x 14 Watt 26 in (658mm)

Aven's LED machine lights are designed to provide even, ultra high brightness and a wide illumination angle for use with machining centers, semiconductor manufacturing equipment, workshops, clean rooms etc. This Tubular LED Machine Light is 26 in (658mm) in length with a diameter of 2.76 in (70mm). The LED lights provide 40,000 hours of life. The acrylic diffuser lens is crack resistant and provides even light distribution. The machine light is IP67 rated and comes with a mounting bracket with hardware and a 6ft cable with 110V plug.

Key Features

- Long life LEDs (40,000 hours)
- Illuminance: 530 lux at 55 inches (1.4 meters)
- Wide illumination angle
- IP67 rated
- Sealed to keep out fluids, chips and shavings
- Crack resistant durable acrylic diffuser lens
- Built-in Ballast

Machine Light	
Tubular LED Machine Light 2 x 14 Watt 26 in (658mm)	
Item #	26600-505
Input Voltage	AC100-240V 50/60 HZ
LED Watts	14 watts x 2
Illuminance	530 lux at 55 in (1.4meters)
Color Temperature	5700K
Illumination Angle	0° - 120° Degrees
Rating	IP67
Lens Type	Acrylic
Cable Length	6 ft with 110V Plug
Operating Temperature Range	-30°C to +40°C -22°F to +104°F
Package Contents	<ul style="list-style-type: none"> • Machine Light • Mounting Bracket w/ Hardware • 6ft cable w/ 110V plug