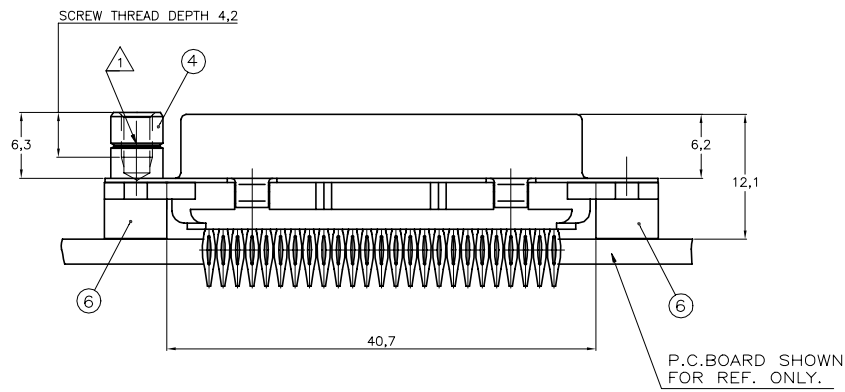
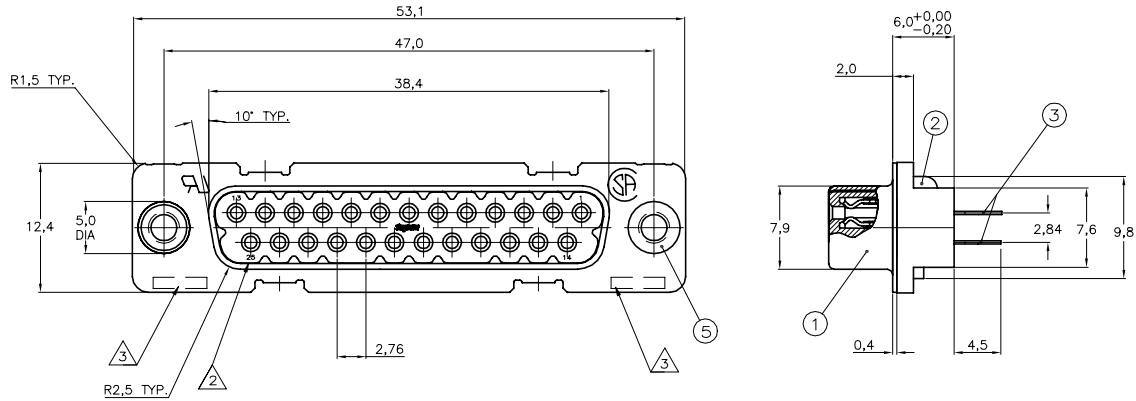
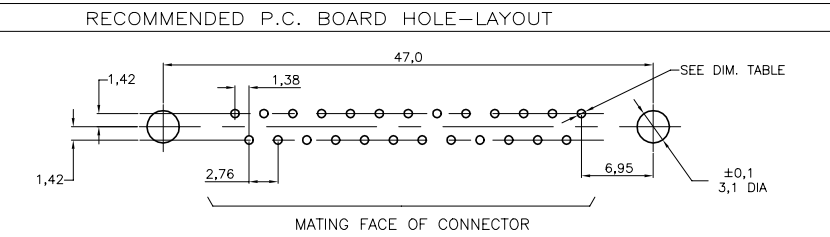


REVISIONS				
IP	LTR	DESCRIPTION	DATE	OWN / APVD
J2		ECO-20-004921	13APR2020	RR / SH



△ 6 OBSOLETE PARTS: OBSOLETE CIS STREAMLINING PER D.RENAUD/D.SINISI

P.C.B. HOLE DIM. FOR CONTACTS		
DRILLED HOLE	: 1,15 ± 0,025	mm
FIN. HOLE	: 0,94 to 1,09	mm
AFTER REFLOW	: 0,91 to 1,09	mm
Cu-thks	: 0,025 to 0,075	mm
SnPb-thks	: 0,004 to 0,010	mm



ACCESSORIES PREFIX "Z"	ITEM NO	DESCRIPTION OF ACCESSORY	QTY	UNIT	REVISION
5		BUSHING WITH THROUGH HOLE 3,1 DIA.	2		
5		BUSHING WITH THREAD 4-40 UNC	2		
5		BUSHING WITH THREAD M3	2		
4		FEMALE SCREWLOCK WITH 4-40 UNC	2		
4		FEMALE SCREWLOCK WITH M3	2		

HOW TO ORDER:

25POS.-----> Z-338212-Y

PREFIX FOR ACCESSORIES }
 BASIC PARTNR. }
 SUFFIX FOR PLATING }

0-XXXXX-Y
 1-XXXXXX-Y
 2-XXXXXX-Y
 3-XXXXXX-Y
 4-XXXXXX-Y

PLATING SUFFIX "Y"

GOLD OVER NICKEL AS PER PERFORMANCE LEVEL 2 (DIN 41652) } -Y = -2
 PRESS-FIT PART: TIN-PLATING 3µm }

NOTES :

△ GROOVE INDICATES VERSION WITH 4-40 UNC INNER THREAD; WITHOUT GROOVE INDICATES VERSION WITH M3 INNER THREAD.
 △ CAVITY IDENTIFICATION AT FRONT SIDE ONLY.
 △ PARTNUMBER AND DATE CODE.
 4 CONNECTOR CAN BE USED FOR PCB THICKNESS OF 1,6 mm MINIMUM AND THICKER.
 5 AIR AND CREEPAGE DISTANCES ACCORDING TO DIN 41652.

- ITEM NRS./MATERIAL :**
- ① SHELL = BRIGHT TINPLATED STEEL
 - ② HOUSING = GLASSFILLED POLYESTER, COLOR : BLACK
 - ③ CONTACTS = PHOSPHORBRONZE (PLATING : SEE TABLE ABOVE)
 - ④ FEMALE SCREWLOCK = TINPLATED STEEL (INNER THREAD 4-40 UNC OR M3)
 - ⑤ BUSHING = TINPLATED STEEL (INNER THREAD 4-40 UNC OR M3 OR 3,1 DIA. THROUGH HOLE)
 - ⑥ STAND OFF = MAT: ULTRAMID V0 COLOR BLACK.

THIS DRAWING IS A CONTROLLED DOCUMENT.		OWN: D. KESSLER	25JAN99	TE TE Connectivity	
DIMENSIONS: mm		CHK: W. SOOMERS	APVD: -		
TOLERANCES UNLESS OTHERWISE SPECIFIED:		NAME: -		HDP-20 SIZE 3	
0 PLC	±	PRODUCT SPEC		VERTICAL+ RECEPTACLE HEADER; PRESS-FITVERSION	
1 PLC	±	APPLICATION SPEC		RESTRICTED TO	
2 PLC	±	WEIGHT: 0,000000		SIZE: A2	
3 PLC	±	CUSTOMER DRAWING		CAGE CODE: 00779	
4 PLC	±	SCALE: -		DRAWING NO: 338212	
ANGLES	±	SHEET: 1 of 1		REV: J2	