

奇数キャビティ:トレードマーク
 偶数キャビティ:キャビティ番号及び金型番号
 ODD CAVITY:TRADE MARK
 EVEN CAVITY:CAVITY AND MOLD NO.

注記 NOTES:

- ① 材料及び仕上げ(めっき仕様): TABLE 1, TABLE 2 参照
 MATERIAL AND FINISHES(PLATING SPECIFICATION)
 : SEE TABLE 1, TABLE 2.
- ② 嵌合相手: 505565シリーズ
 MATE WITH: 505565series
- ③ 偶数極に適用
 APPLY FOR EVEN CIRCUIT.
- ④ 製品仕様書: 5055650002 PS 000
 PRODUCT SPECIFICATION:5055650002 PS 000
- ⑤ 発注番号: SHEET 5参照
 ORDER NO.: PLEASE REFER TO SHEET 5.

505568 ***

極数
CIRCUIT SIZE

NO.	金めっき厚 [MICROMETER MINIMUM]
8	0.1

NO.	ハウジングカラー HOUSING COLOR
0	ナチュラル(ベージュ) NATURAL(BEIGE)
1	黒 BLACK
2	赤 RED
3	黄 YELLOW
4	青 BLUE
6	緑 GREEN
8	橙 ORANGE

6. ターミナルとネイルの平坦度は0.1mm以下
 TERMINAL AND NAIL COPLANARITY : 0.1mm MAXIMUM.

奇数キャビティ:キャビティ番号及び金型番号
 偶数キャビティ:トレードマーク
 ODD CAVITY:CAVITY AND MOLD NO.
 EVEN CAVITY:TRADE MARK

① TABLE 1

番号 NO.	部品 PART	材質 MATERIAL
①	ハウジング HOUSING	ポリアミド(PA),ガラス充填,UL94 V-0,色 : SHEET 5参照 POLYAMIDE (PA),GLASS FILLED,UL94 V-0,COLOR:SEE SHEET 5
②	ターミナル TERMINAL	黄銅 BRASS
		接点部:金めっきめっき厚は注記5参照 CONTACT:GOLD PLATING PLATING THICKNESS:SEE NOTE 5.
		ニッケルめっき(下地全面):1.0 MICROMETER MINIMUM NICKEL (UNDER-PLATED OVERALL)
③	ネイル NAIL	黄銅 BRASS
		錫めっき:1.0 MICROMETER MINIMUM TIN PLATED(MATTE TIN)
		ニッケルめっき(下地全面):1.0 MICROMETER MINIMUM NICKEL (UNDER-PLATED OVERALL)
④	カバーテープ COVER TAPE	ポリイミド POLYIMIDE

49.4	45.4	20.2	44±0.3	12	22.2	18.75	23.25	16
					20.95	17.5	22	15
					19.7	16.25	20.75	14
37.4	33.4	14.2	32±0.3	10	18.45	15	19.5	13
					17.2	13.75	18.25	12
					15.95	12.5	17	11
					14.7	11.25	15.75	10
29.4	25.4	11.5	24 ^{+0.3} _{-0.1}	8	13.45	10	14.5	9
					12.2	8.75	13.25	8
					10.95	7.5	12	7
					9.7	6.25	10.75	6
					8.45	5	9.5	5
					7.2	3.75	8.25	4
21.4	17.4	7.5	16 ^{+0.3} _{-0.1}	5	5.95	2.5	7	3
					4.7	1.25	5.75	2
H	G	F	E	D	C	B	A	極数 CIRCUIT SIZE

THIS DRAWING CONTAINS INFORMATION THAT IS PROPRIETARY TO MOLEX ELECTRONIC TECHNOLOGIES, LLC AND SHOULD NOT BE USED WITHOUT WRITTEN PERMISSION

CURRENT REV DESC: RELEASED

molex

MICRO-LOCK PLUS 1.25 W/B
 SINGLE ROW VERTICAL SMT PLUG ASSEMBLY
 GOLD PLATING

PRODUCT CUSTOMER DRAWING

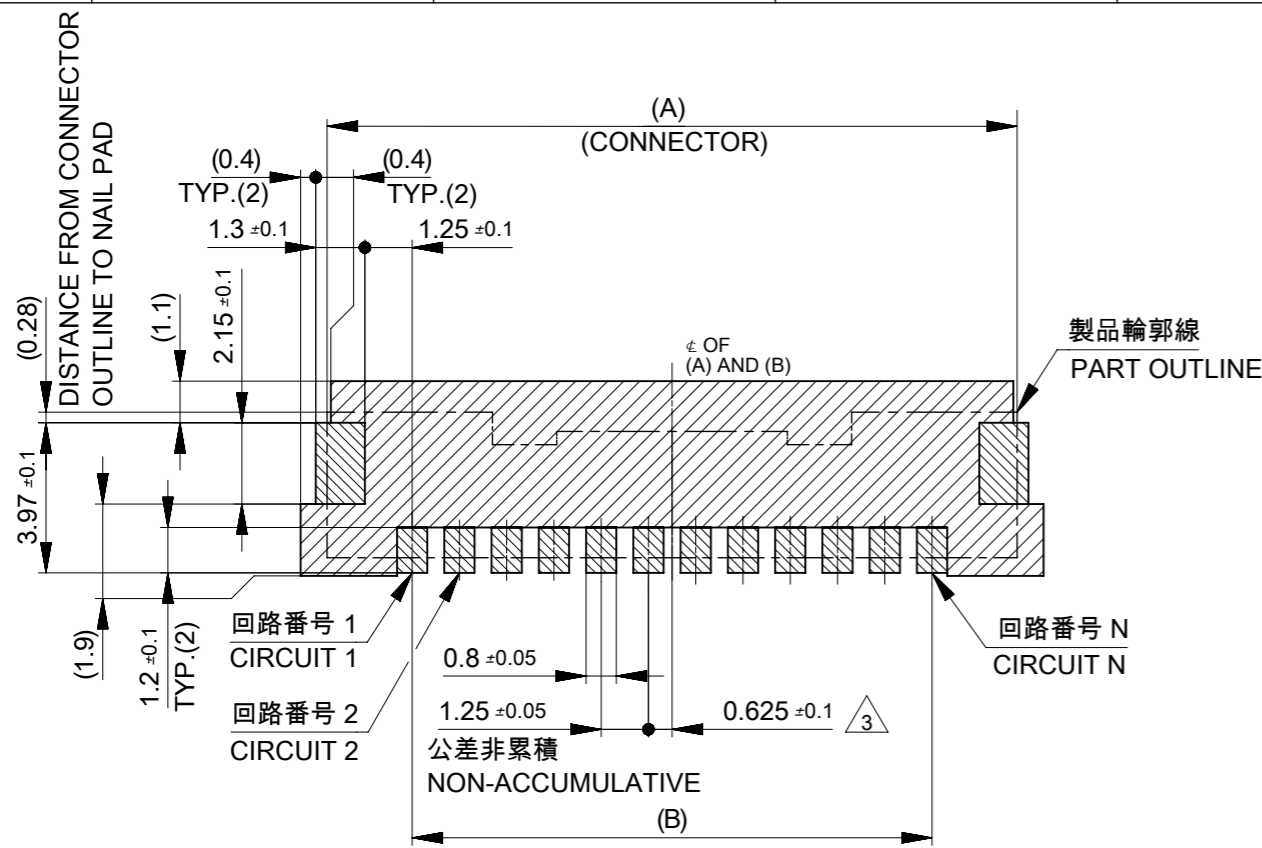
DOCUMENT NUMBER: 5055680010-SD
 DOC TYPE: PSD
 DOC PART: 000
 REVISION: B

INITIAL REVISION:
 DRWN: RWATANABE01 2017/11/28
 APPR: TKANEKO 2017/12/06

DRAWING: A3-SIZE
 SERIES: 505568

MATERIAL NUMBER: SEE SHEET 5
 CUSTOMER: GENERAL
 SHEET NUMBER: 1 OF 5

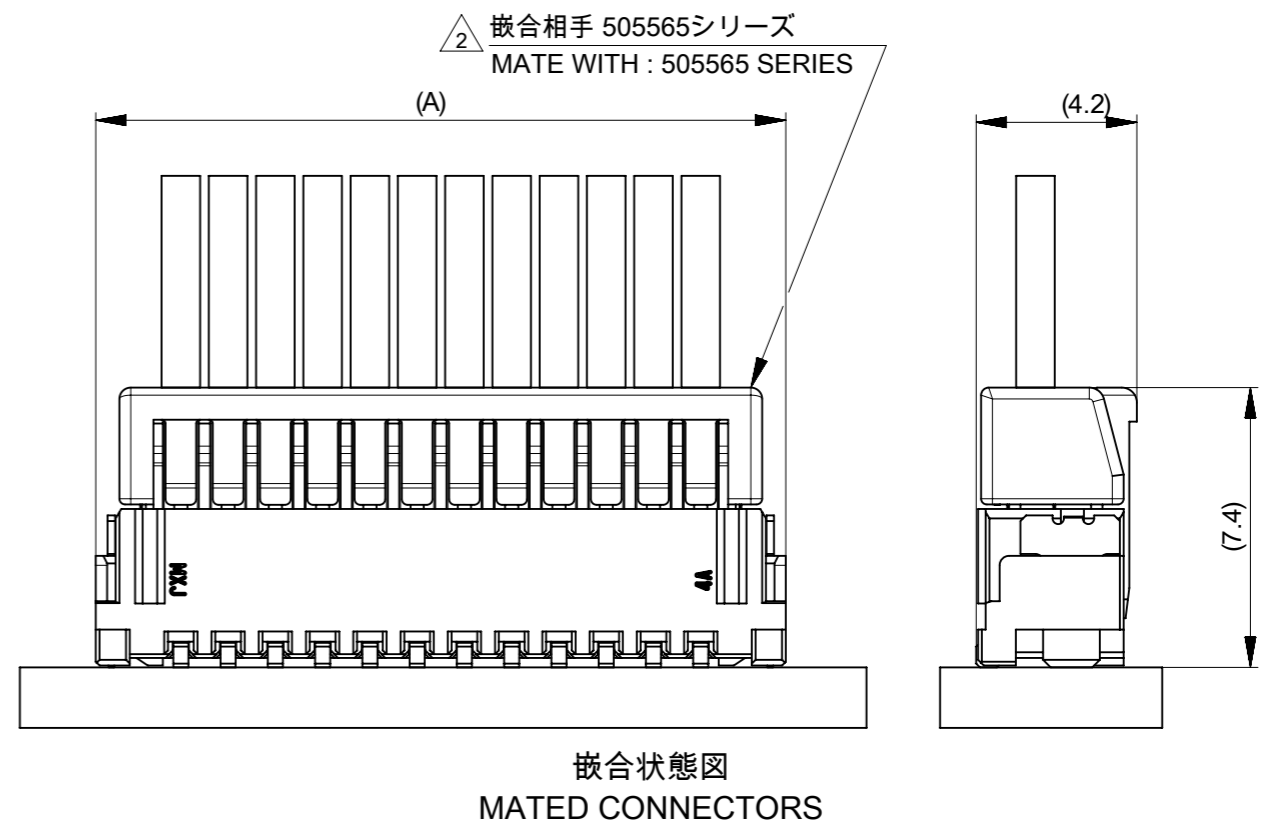
FORMAT: mm
 REVISION: 11
 DATE: 2018/01/11



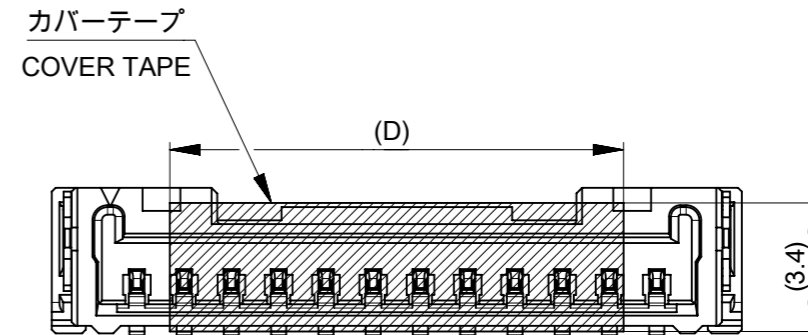
**推奨基板レイアウト
RECOMMENDED PWB PATTERN LAYOUT**

(参考: 基板厚1.6mm, メタルマスク厚さ 0.15mm, マスク開口率 100%)
(REFERENCE: PWB THICKNESS 1.6mm, STENCIL THICKNESS 0.15mm, APERTURE RATIO 100%)

パターン非推奨エリア
パターンを引き回す際は、製品機能に影響がないことをご確認ください。
PATTERN IS NOT RECOMMENDED ON THE HATCHING AREA
PLEASE CHECK NOT TO HAVE PROBLEM FOR PRODUCT FUNCTION
WHEN SETTING PATTERN ON THE HATCHING AREA.



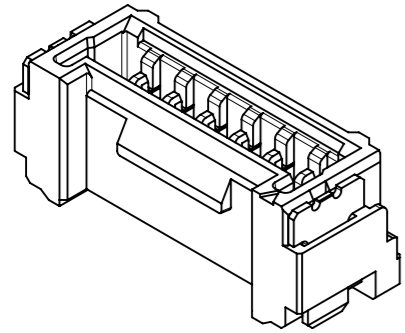
嵌合状態図
MATED CONNECTORS



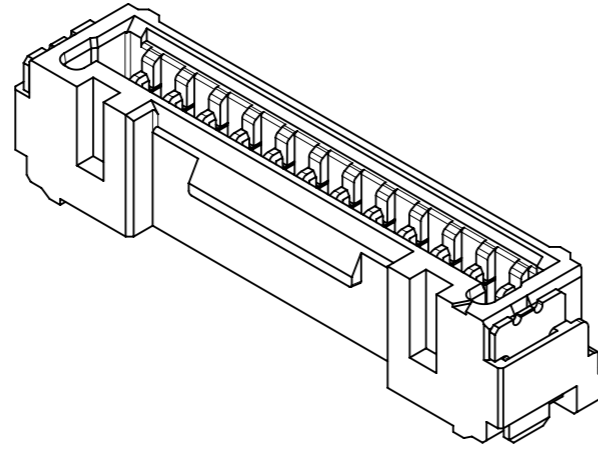
吸着範囲
VACUUM AREA

THIS DRAWING CONTAINS INFORMATION THAT IS PROPRIETARY TO MOLEX ELECTRONIC TECHNOLOGIES, LLC AND SHOULD NOT BE USED WITHOUT WRITTEN PERMISSION											
DIMENSION UNITS mm		SCALE NTS		CURRENT REV DESC: RELEASED							
GENERAL TOLERANCES (UNLESS SPECIFIED)				<p style="text-align: center;">molex</p> <p style="text-align: center;">MICRO-LOCK PLUS 1.25 W/B SINGLE ROW VERTICAL SMT PLUG ASSEMBLY GOLD PLATING</p> <p style="text-align: center;">PRODUCT CUSTOMER DRAWING</p>							
ANGULAR TOL		± 3.0 °									
4 PLACES		± 0.2									
3 PLACES		± 0.2									
2 PLACES		± 0.2									
1 PLACE		± 0.2									
0 PLACES		± 0.2		INITIAL REVISION:		DOCUMENT NUMBER		DOC TYPE			
DRAFT WHERE APPLICABLE MUST REMAIN WITHIN DIMENSIONS		THIRD ANGLE PROJECTION		DRAWING		SERIES		MATERIAL NUMBER		CUSTOMER	
		A3-SIZE		505568		5055680010-SD		PSD		000 B	
DOCUMENT STATUS		P1		RELEASE DATE		2019/07/31		10:52:47		SHEET NUMBER	
										2 OF 5	

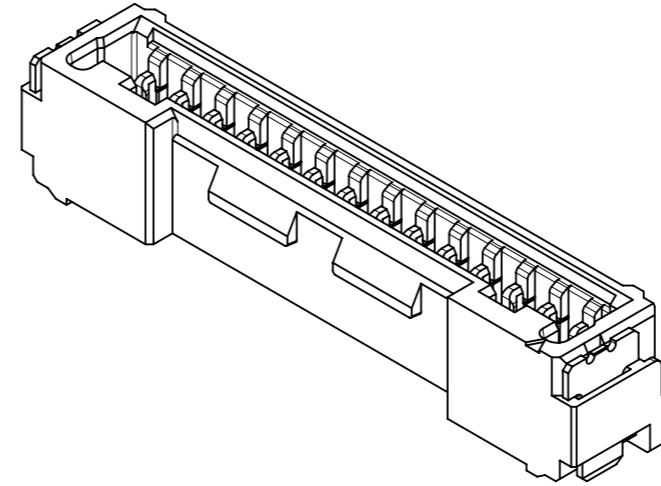
製品形状
PRODUCT SHAPE



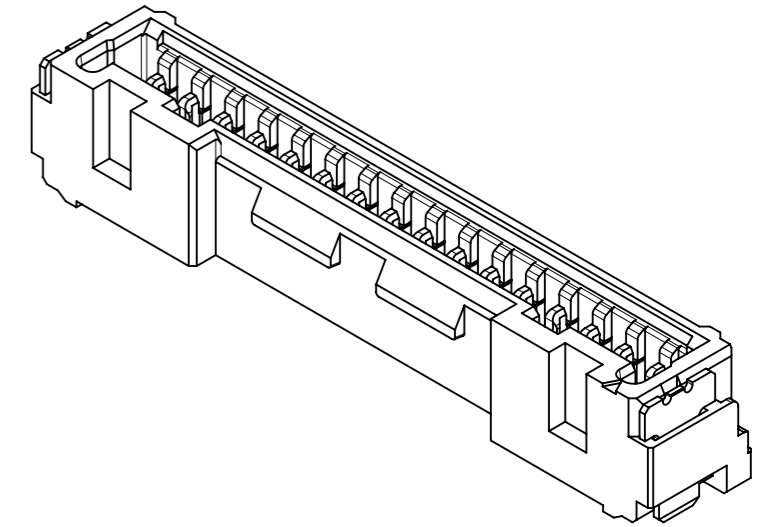
2-11極
2-11 CIRCUIT



12-13極
12-13 CIRCUIT

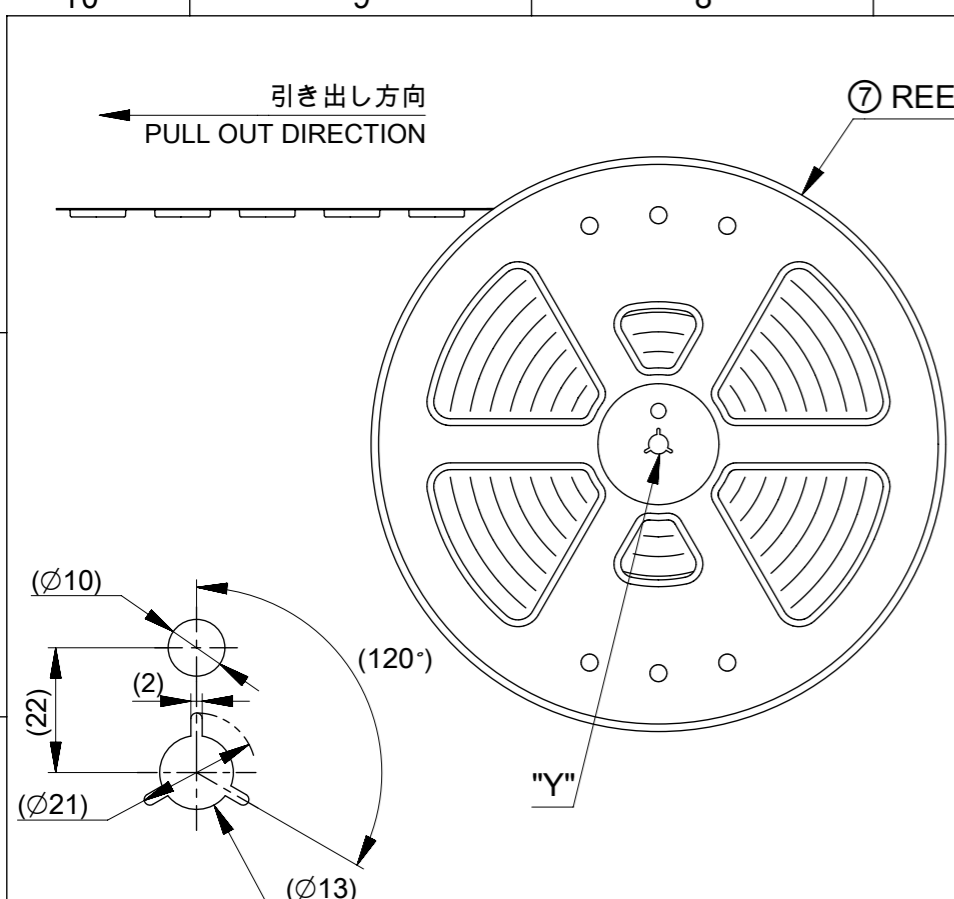


14極
14 CIRCUIT



15-16極
15-16 CIRCUIT

THIS DRAWING CONTAINS INFORMATION THAT IS PROPRIETARY TO MOLEX ELECTRONIC TECHNOLOGIES, LLC AND SHOULD NOT BE USED WITHOUT WRITTEN PERMISSION									
DIMENSION UNITS		SCALE		CURRENT REV DESC: RELEASED					
mm		NTS							
GENERAL TOLERANCES (UNLESS SPECIFIED)				EC NO: 620885 DRWN: TAKAIKE 2018/07/31 CHK'D: SAKIYAMA 2019/07/19 APPR: KOMURAKAMI 2019/07/31					
ANGULAR TOL ± 3.0°				INITIAL REVISION: DRWN: RWATANABE01 2017/11/28 APPR: TKANEKO 2017/12/06					
4 PLACES ± 0.2		3 PLACES ± 0.2		2 PLACES ± 0.2		1 PLACE ± 0.2		0 PLACES ± 0.2	
DRAFT WHERE APPLICABLE MUST REMAIN WITHIN DIMENSIONS				THIRD ANGLE PROJECTION		DRAWING		SERIES	
						A3-SIZE		505568	
DOCUMENT NUMBER				DOC TYPE		DOC PART		REVISION	
5055680010-SD				PSD		000		B	
MATERIAL NUMBER				CUSTOMER		SHEET NUMBER			
SEE SHEET5				GENERAL		3 OF 5			



DETAIL "Y"

注記 NOTES

7. 梱包数量 : 1200個 / リール
 NUMBER OF CONNECTORS : 1200 PCS/REEL.

8. リードテープ長さ
 LEAD TAPE LENGTH.

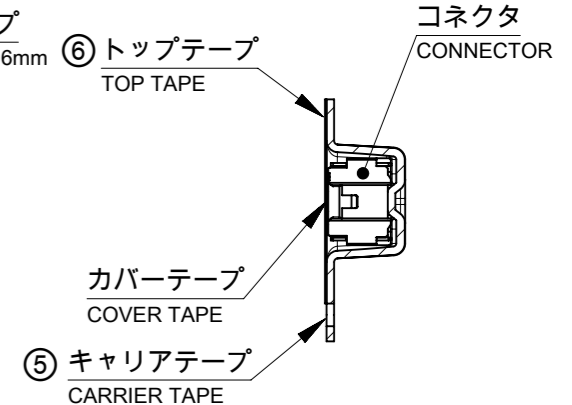
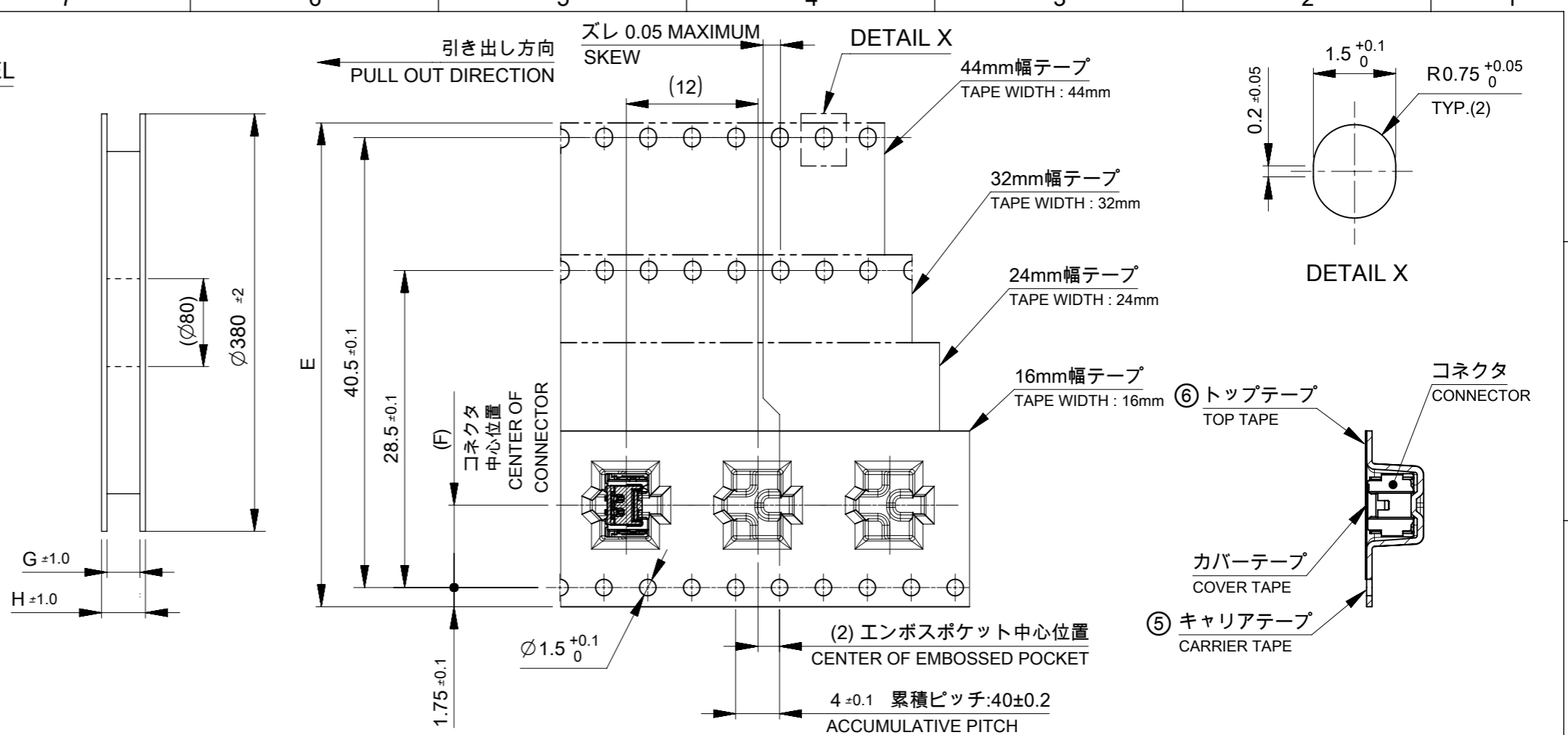
9. トップテープの剥離強度はIEC60286-3に準拠
 TOP TAPE PEELING FORCE IS DEFINED BY IEC60286-3

10. 梱包仕様書 : 5055689200 PS 200
 PACKING SPECIFICATION : 5055689200 PS 200

TABLE 2

番号 NO.	部品 PART	材質 MATERIAL
⑤	キャリアテープ CARRIER TAPE	ポリスチレン(PS) POLYSTYRENE(PS)
⑥	トップテープ TOP TAPE	ポリエチレン(PE), その他 POLYETHYLENE(PE), ETC
⑦	リール REEL	ポリスチレン(PS) <リサイクル材を含む> POLYSTYRENE(PS) <RECYCLE MATERIAL CONTAINED >

DOCUMENT STATUS	P1	RELEASE DATE	2019/07/31	10:52:47
-----------------	----	--------------	------------	----------



THIS DRAWING CONTAINS INFORMATION THAT IS PROPRIETARY TO MOLEX ELECTRONIC TECHNOLOGIES, LLC AND SHOULD NOT BE USED WITHOUT WRITTEN PERMISSION		CURRENT REV DESC: RELEASED		molex	
DIMENSION UNITS	SCALE				
mm	NTS			PRODUCT CUSTOMER DRAWING	
GENERAL TOLERANCES (UNLESS SPECIFIED)		EC NO: 620885		DOCUMENT NUMBER	
ANGULAR TOL	± 3.0°	DRWN: TAKAIKE	2018/07/31	5055680010-SD	
4 PLACES	± 0.2	CHK'D: SAKIYAMA	2019/07/19	DOC TYPE	DOC PART
3 PLACES	± 0.2	APPR: KOMURAKAMI	2019/07/31	PSD	000
2 PLACES	± 0.2	INITIAL REVISION:		REVISION	B
1 PLACE	± 0.2	DRWN: RWATANABE01	2017/11/28	MATERIAL NUMBER	
0 PLACES	± 0.2	APPR: TKANEKO	2017/12/06	CUSTOMER	
DRAFT WHERE APPLICABLE MUST REMAIN WITHIN DIMENSIONS		THIRD ANGLE PROJECTION	DRAWING	SERIES	SHEET NUMBER
			A3-SIZE	505568	4 OF 5

5 505568**8* 製品番号一覧 PRODUCT NUMBER LIST

橙 ORANGE	緑 GREEN	青 BLUE	黄 YELLOW	赤 RED	黒 BLACK	ナチュラル (ベージュ) NATURAL (BEIGE)	HOUSING COLOR
5055681688	5055681686	5055681684	5055681683	5055681682	5055681681	5055681680	16
5055681588	5055681586	5055681584	5055681583	5055681582	5055681581	5055681580	15
5055681488	5055681486	5055681484	5055681483	5055681482	5055681481	5055681480	14
5055681388	5055681386	5055681384	5055681383	5055681382	5055681381	5055681380	13
5055681288	5055681286	5055681284	5055681283	5055681282	5055681281	5055681280	12
5055681188	5055681186	5055681184	5055681183	5055681182	5055681181	5055681180	11
5055681088	5055681086	5055681084	5055681083	5055681082	5055681081	5055681080	10
5055680988	5055680986	5055680984	5055680983	5055680982	5055680981	5055680980	9
5055680888	5055680886	5055680884	5055680883	5055680882	5055680881	5055680880	8
5055680788	5055680786	5055680784	5055680783	5055680782	5055680781	5055680780	7
5055680688	5055680686	5055680684	5055680683	5055680682	5055680681	5055680680	6
5055680588	5055680586	5055680584	5055680583	5055680582	5055680581	5055680580	5
5055680488	5055680486	5055680484	5055680483	5055680482	5055680481	5055680480	4
5055680388	5055680386	5055680384	5055680383	5055680382	5055680381	5055680380	3
5055680288	5055680286	5055680284	5055680283	5055680282	5055680281	5055680280	2
発注番号 : ORDER NUMBER							極数 CIRCUIT SIZE
梱包形態 : キャリアテープ梱包 PACKAGING : CARRIER TAPE AND REEL							

THIS DRAWING CONTAINS INFORMATION THAT IS PROPRIETARY TO MOLEX ELECTRONIC TECHNOLOGIES, LLC AND SHOULD NOT BE USED WITHOUT WRITTEN PERMISSION											
DIMENSION UNITS		SCALE		CURRENT REV DESC: RELEASED				molex		MICRO-LOCK PLUS 1.25 W/B SINGLE ROW VERTICAL SMT PLUG ASSEMBLY GOLD PLATING	
mm		NTS									
GENERAL TOLERANCES (UNLESS SPECIFIED)				EC NO: 620885							
ANGULAR TOL ± 3.0 °				DRWN: TAKAIKE 2018/07/31							
4 PLACES ± 0.2				CHK'D: SAKIYAMA 2019/07/19							
3 PLACES ± 0.2				APPR: KOMURAKAMI 2019/07/31							
2 PLACES ± 0.2				INITIAL REVISION:							
1 PLACE ± 0.2				DRWN: RWATANABE01 2017/11/28				DOCUMENT NUMBER			
0 PLACES ± 0.2				APPR: TKANEKO 2017/12/06				5055680010-SD			
DRAFT WHERE APPLICABLE MUST REMAIN WITHIN DIMENSIONS		THIRD ANGLE PROJECTION		DRAWING		SERIES		MATERIAL NUMBER		CUSTOMER	
				A3-SIZE		505568		SEE SHEET5		GENERAL	
								PSD		000 B	
										SHEET NUMBER	
										5 OF 5	

DOCUMENT STATUS	P1	RELEASE DATE	2019/07/31	10:52:47
-----------------	----	--------------	------------	----------