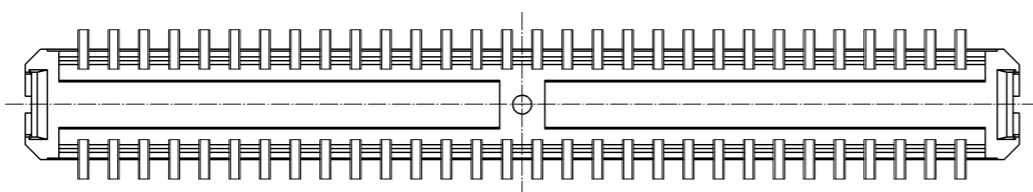
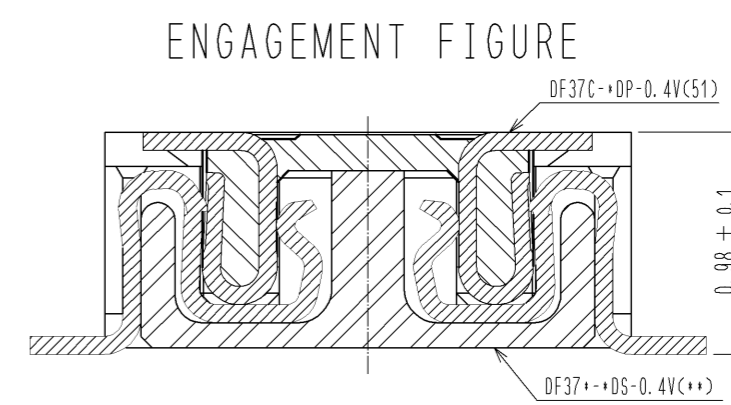
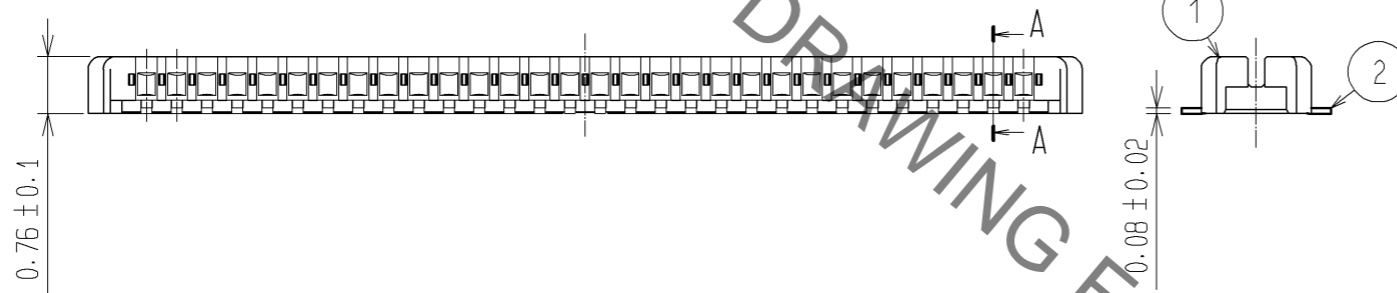
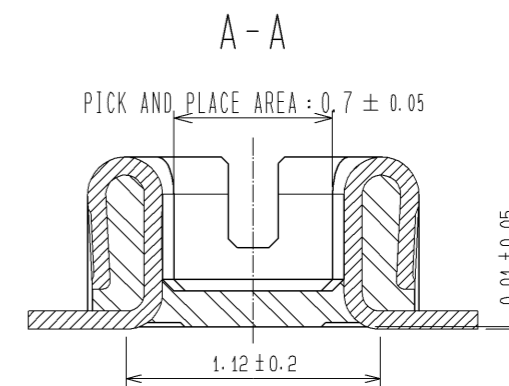
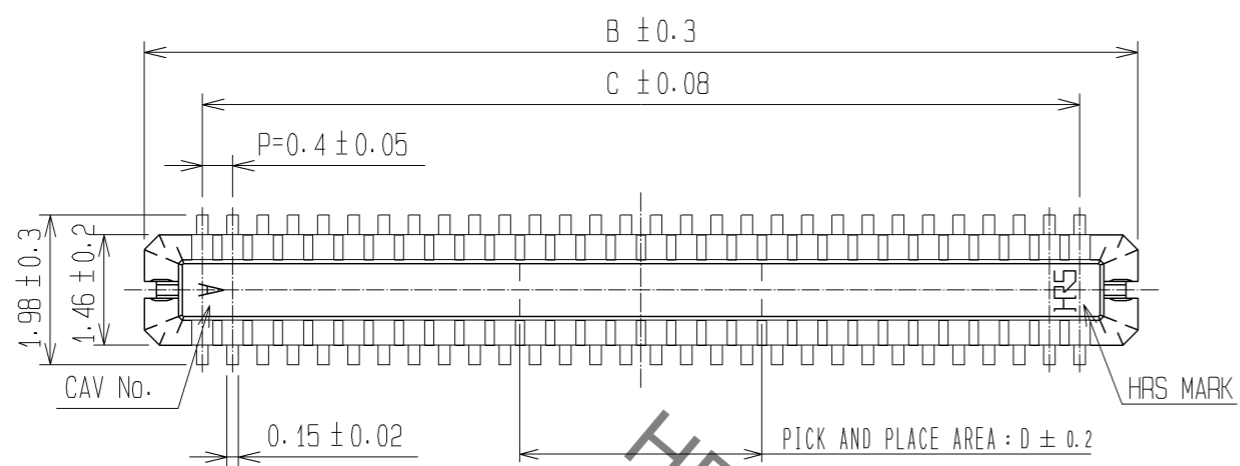


Aug.1.2019 Copyright 2019 HIROSE ELECTRIC CO., LTD. All Rights Reserved.
In case of consideration for using Automotive equipment / device which demand high reliability, kindly contact our sales window correspondents.



HRS DRAWING FOR REFERENCE

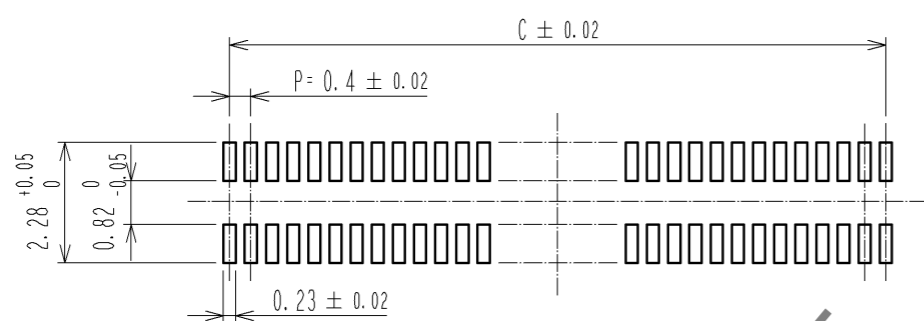
PART No.	CL No.	B	C	D
DF37C-10DP-0.4V(51)	CL684-3039-5-51	3.14	1.6	0.8
DF37C-16DP-0.4V(51)	CL684-3058-0-51	4.34	2.8	1.2
DF37C-20DP-0.4V(51)	CL684-3024-8-51	5.14	3.6	1.6
DF37C-24DP-0.4V(51)	CL684-3025-0-51	5.94	4.4	2.0
DF37C-30DP-0.4V(51)	CL684-3026-3-51	7.14	5.6	2.0
DF37C-34DP-0.4V(51)	CL684-3085-2-51	7.94	6.4	2.4
DF37C-40DP-0.4V(51)	CL684-3027-6-51	9.14	7.6	2.4
DF37C-44DP-0.4V(51)	CL684-3089-3-51	9.94	8.4	2.8
DF37C-50DP-0.4V(51)	CL684-3028-9-51	11.14	9.6	2.8
DF37C-60DP-0.4V(51)	CL684-3029-1-51	13.14	11.6	3.2
DF37C-70DP-0.4V(51)	CL684-3030-0-51	15.14	13.6	3.6
DF37C-74DP-0.4V(51)	CL684-3073-3-51	15.94	14.4	4.0

NOTE 1. ALL LEADS CO-PLANARITY SHALL BE 0.1 mm MAX.
 2 CONTACT PLATING SPECIFICATIONS.
 CONTACT AREA : GOLD 0.05 μm MIN
 SMT LEAD : GOLD 0.05 μm MIN
 UNDER PLATING : NICKEL 1 μm MIN
 (SURFACE : SEALING)

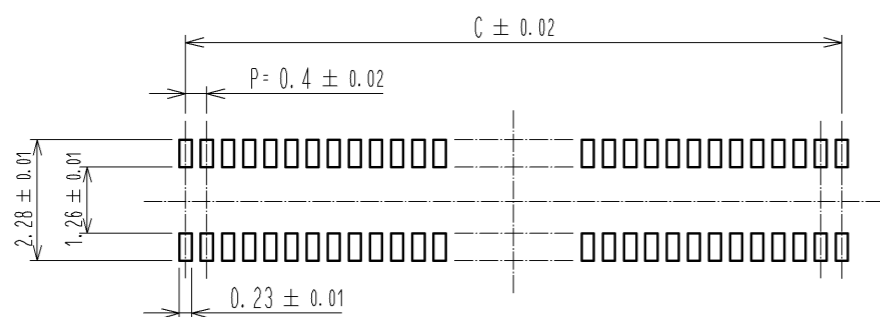
2	PHOSPHOR BRONZE	2	5	PS	BLACK, PLASTIC REEL
1	LCP	BLACK, UL94V-0	4	POLYESTER	CLEAR, COVER TAPE
			3	PS	CLEAR, EMBOSSED CARRIER TAPE
NO.	MATERIAL	FINISH, REMARKS	NO.	MATERIAL	FINISH, REMARKS
UNITS	⊙	SCALE	COUNT	DESCRIPTION OF REVISIONS	
mm		FREE	12	DESIGNED	CHECKED
			DIS-H-005512	KR. AJITO	TS. MIYAZAKI
			APPROVED : MO. NAKAMURA	07. 01. 29	DRAWING NO.
			CHECKED : KH. IKEDA	07. 01. 29	EDC3-314974-01
			DESIGNED : KY. MIDORIKAWA	07. 01. 29	PART NO.
			DRAWN : KY. MIDORIKAWA	07. 01. 29	DF37C- *DP-0.4V(51)
					CODE NO.
					1/3

Aug.1.2019 Copyright 2019 HIROSE ELECTRIC CO., LTD. All Rights Reserved.
 In case of consideration for using Automotive equipment / device which demand high reliability, kindly contact our sales window correspondents.

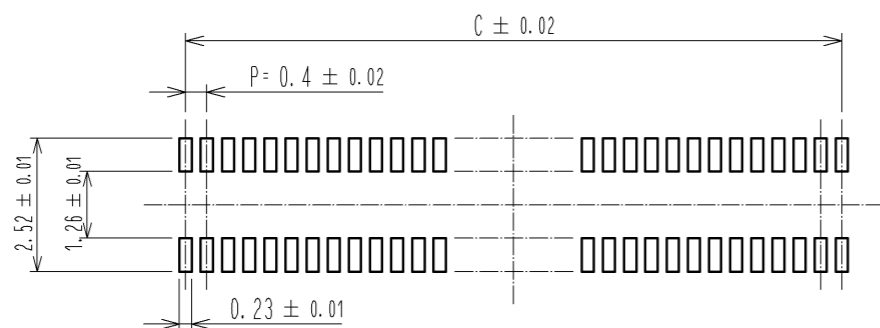
◆ RECOMMENDED PCB LAYOUT (MOUNTING SURFACE SIDE)



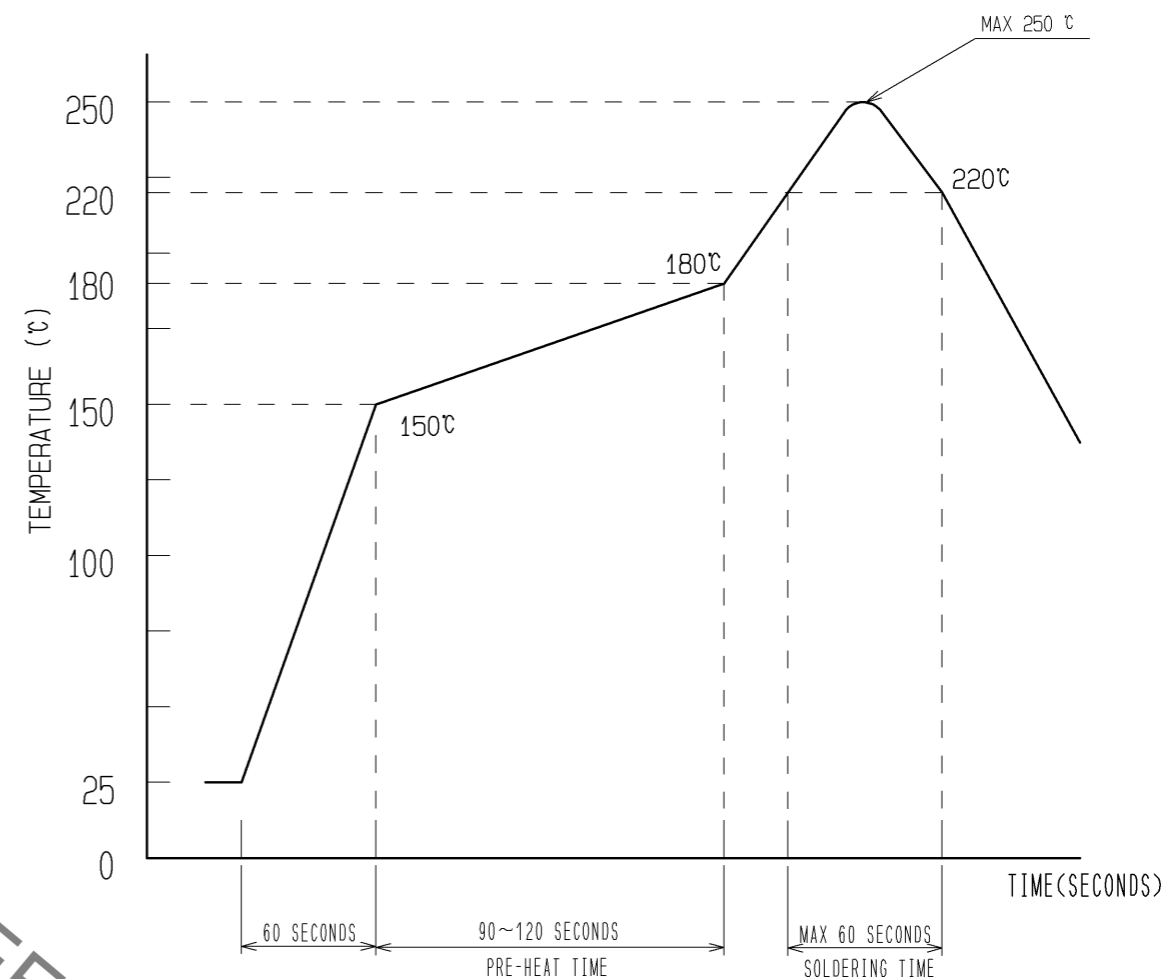
◆ RECOMMENDED METAL MASK DIMENSIONS
 METAL MASK THICKNESS : 0.12mm



◆ RECOMMENDED METAL MASK DIMENSIONS
 METAL MASK THICKNESS : 0.1mm



③ RECOMMENDED REFLOW TEMPERATURE PROFILE USING LEAD-FREE SOLDER PASTE.



- 1) REFLOW TIME
 REFLOW METHOD: IR REFLOW
 NUMBER OF REFLOW CYCLES: 2 CYCLES MAX.
 DURATION ABOVE 220 °C: 60 SEC. MAX.
 (PEAK TEMPERATURE: 250°C MAX.)
- 2) PRE-HEAT TIME
 PRE-HEAT TEMPERATURE(MIN) : 150 °C
 PRE-HEAT TEMPERATURE(MAX) : 180 °C
 PRE-HEAT TIME : 90~120 sec.

③ THIS TEMPERATURE PROFILE IS PER THE CONDITIONS SHOWN ABOVE. ADDITIONAL FACTORS, SUCH AS SOLDER PASTE TYPE, PCB SIZE AND OTHER MOUNTED COMPONENTS COULD AFFECT THE PROFILE. THEREFORE, A THOROUGH EVALUATION OF MOUNTING CONDITION IS REQUIRED PRIOR TO PRODUCTION. TEMPERATURE IS MEASURED AT CONTACT LEAD.

HRS DRAWING FOR REFERENCE

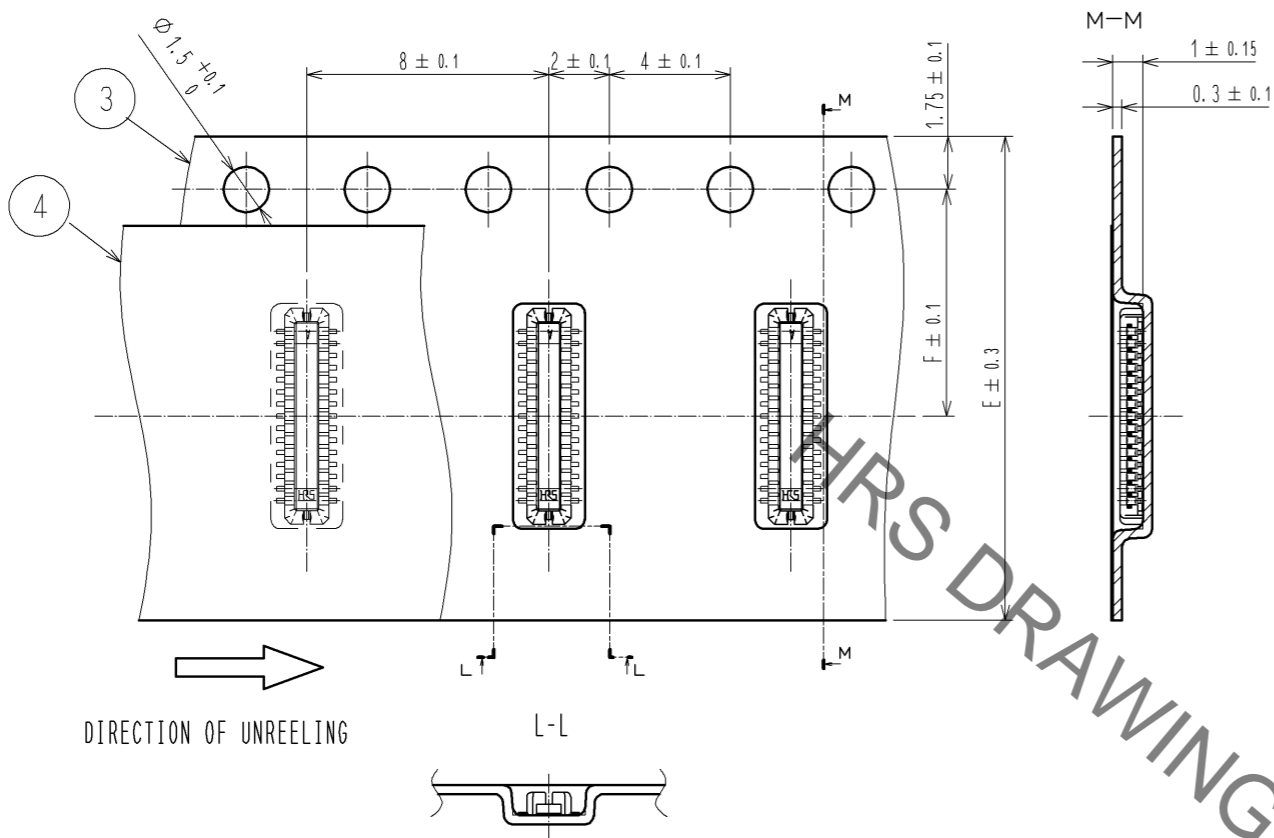
PART No.	C
DF37C-10DP-0.4V(51)	1.6
DF37C-16DP-0.4V(51)	2.8
DF37C-20DP-0.4V(51)	3.6
DF37C-24DP-0.4V(51)	4.4
DF37C-30DP-0.4V(51)	5.6
DF37C-34DP-0.4V(51)	6.4
DF37C-40DP-0.4V(51)	7.6
DF37C-44DP-0.4V(51)	8.4
DF37C-50DP-0.4V(51)	9.6
DF37C-60DP-0.4V(51)	11.6
DF37C-70DP-0.4V(51)	13.6
DF37C-74DP-0.4V(51)	14.4

HRS	DRAWING NO.	EDC3-314974-01
	PART NO.	DF37C-*DP-0.4V(51)
	CODE NO.	

Aug.1.2019 Copyright 2019 HIROSE ELECTRIC CO., LTD. All Rights Reserved.
In case of consideration for using Automotive equipment / device which demand high reliability, kindly contact our sales window correspondents.

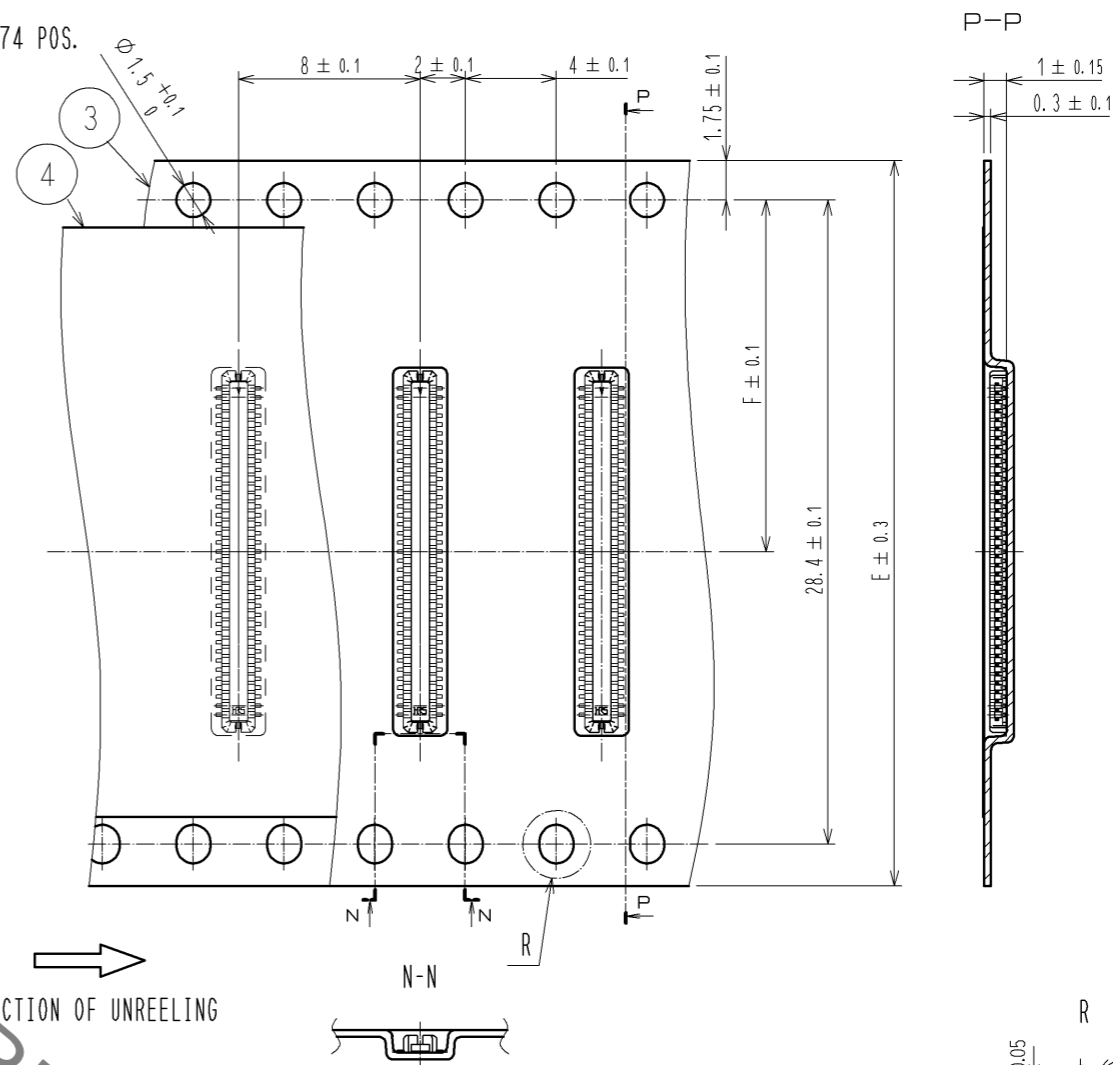
EMBOSSED CARRIER TAPE PACKAGING (FREE SIZE)

◆ LESS THAN 70 POS.

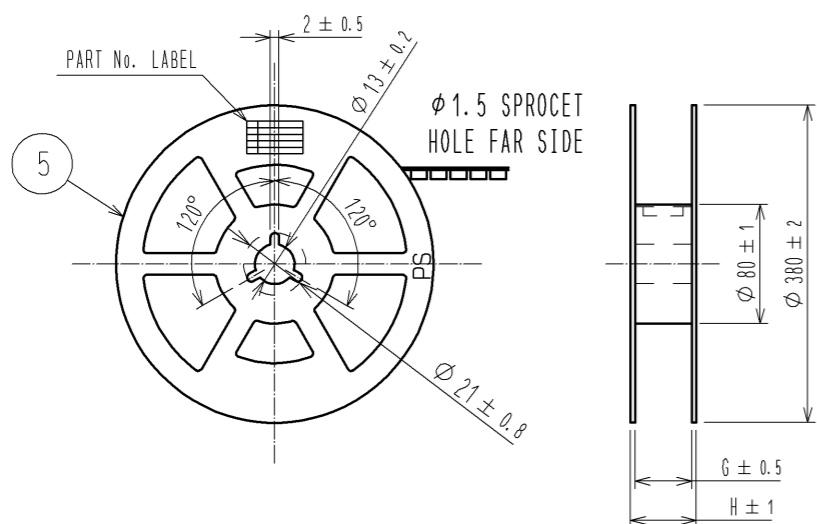


EMBOSSED CARRIER TAPE PACKAGING (FREE SIZE)

◆ 74 POS.



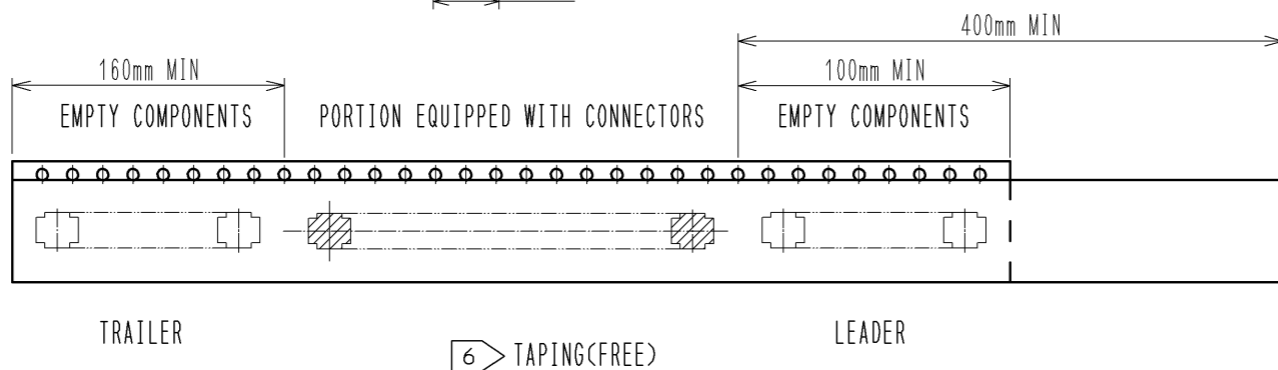
STYLE AND DIMENSION OF REEL (FREE SIZE)



7 DETAIL OF PART NO. LABEL

SUPPLIER	HIROSE ELECTRIC CO., LTD.
QUANTITY	8000
PART NO.	DF37C- *DP-0.4V(51)
CODE NO.	** * * *
DATE OF MANUFACTURED	年 月 日
製造年月日	年 月 日
製品コード	** * * *
製品名	DF37C- *DP-0.4V(51)
数量	8000個
納入者	ヒロセ電機(株)

PART No.	E	F	G	H
DF37C-10DP-0.4V(51)	12	5.5	13.5	17.5
DF37C-16DP-0.4V(51)	16	7.5	17.5	21.5
DF37C-20DP-0.4V(51)	16	7.5	17.5	21.5
DF37C-24DP-0.4V(51)	16	7.5	17.5	21.5
DF37C-30DP-0.4V(51)	16	7.5	17.5	21.5
DF37C-34DP-0.4V(51)	16	7.5	17.5	21.5
DF37C-40DP-0.4V(51)	24	11.5	25.5	29.5
DF37C-44DP-0.4V(51)	24	11.5	25.5	29.5
DF37C-50DP-0.4V(51)	24	11.5	25.5	29.5
DF37C-60DP-0.4V(51)	24	11.5	25.5	29.5
DF37C-70DP-0.4V(51)	24	11.5	25.5	29.5
DF37C-74DP-0.4V(51)	32	14.2	33.5	37.5



NOTES 4. PER REEL 8000 CONNECTORS.

5. THE DIMENSIONS IN PARENTHESSES ARE FOR REFERENCE.

6 REFER TO JIS C 0806(PACKING OF COMPONENTS FOR AUTOMATIC HANDLING)

7 DETAIL OF PART NO. LABEL IS WRITTEN IN JAPANESE.

HRS

DRAWING NO.	EDC3-314974-01
PART NO.	DF37C- *DP-0.4V(51)
CODE NO.	

3/3