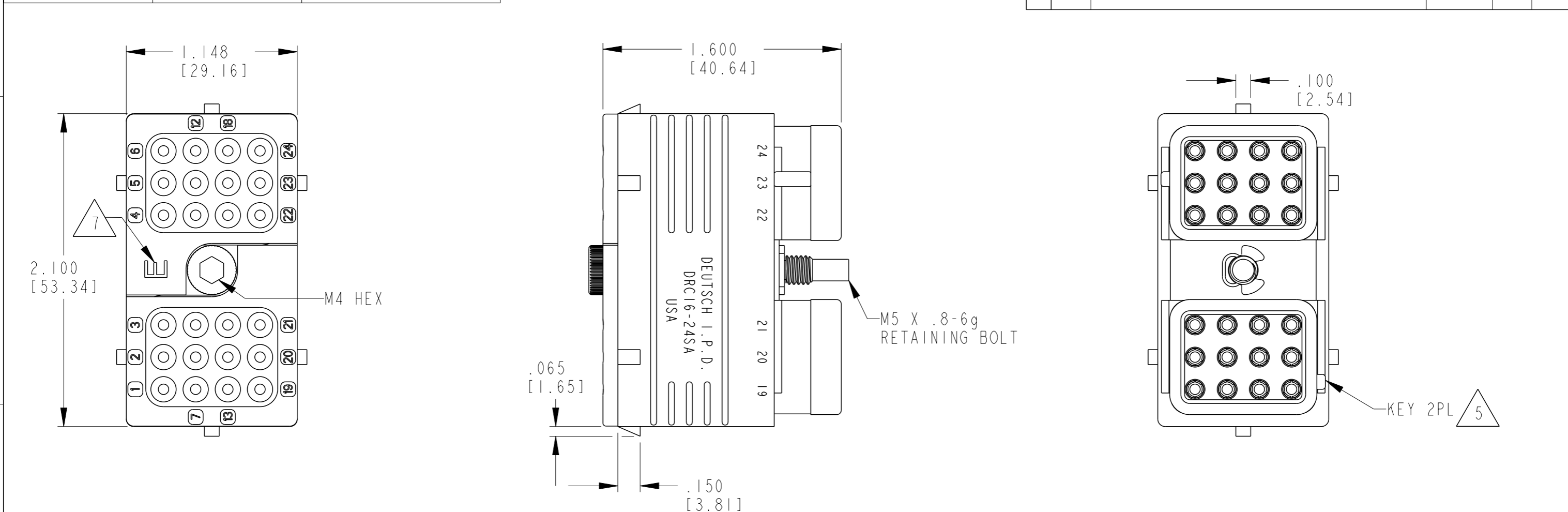


THIS DRAWING IS UNPUBLISHED
 RELEASED FOR PUBLICATION 2017
 © COPYRIGHT 2017 BY -TE CONNECTIVITY ALL RIGHTS RESERVED.

REVISIONS					
P	LTR	DESCRIPTION	DATE	DWN	APVD
	B	REVISED PER PCN E-17-014656	21JUN2017	SS	DM

MIN. INSUL. O.D.	MAX. INSUL. O.D.	WIRE RANGE [mm ²] REF ONLY
.053 [1.35]	.120 [3.05]	14-20 AWG [2.0-0.50]



- 7. E-SEAL IS IDENTIFIED BY LETTER "E" MARK.
- 6. MATING TORQUE REQUIREMENT: 25-28 IN-LB [2.82-3.13 Nm].
- 5. SEE SHEET 2 FOR OTHER KEY ARRANGEMENTS.
- 4. MATERIAL- PLUG: PLASTIC; SEAL/GROMMET: RUBBER; RETAINING BOLT: STEEL.
- 3. THIS PLUG MATES WITH DRC10-24PX-XXXX; DRC12-24PX-XXXX; DRC13-24PX-XXXX; AND DRC14-24PX-XXXX RECEPTACLE. (X=A,B,C,D KEYS; XXXX=ALL MODIFICATIONS). CONSULT FACTORY FOR MODS.
- 2. FOR CONTACTS AND WIRE PERFORMANCE AND APPLICATION CHARACTERISTICS, SEE ENVELOPE DRAWING 0425-015-0000.

1. PLUG SUPPLIED WITH DUST CAP. (NOT SHOWN).

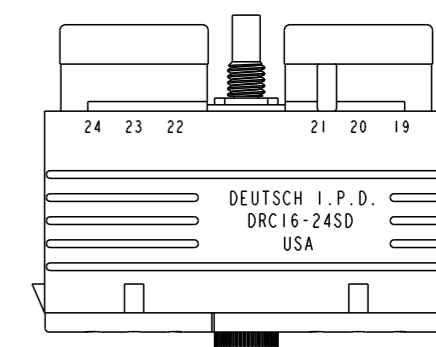
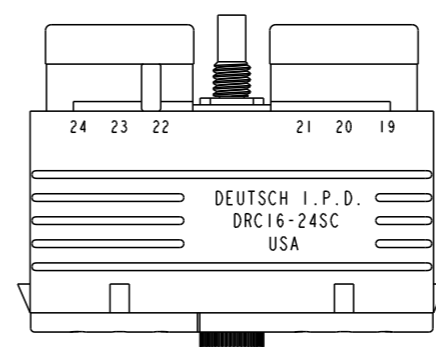
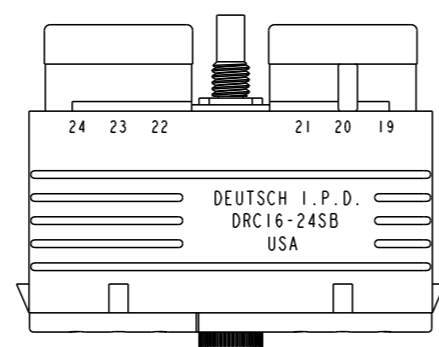
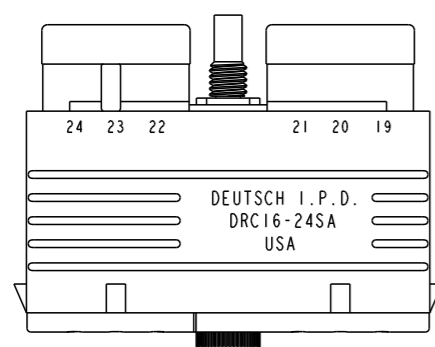
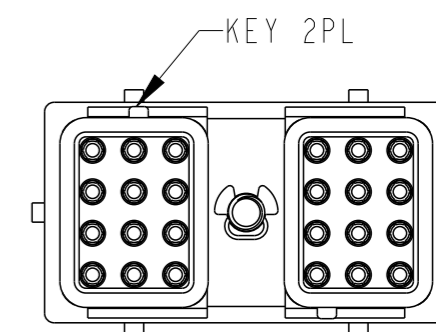
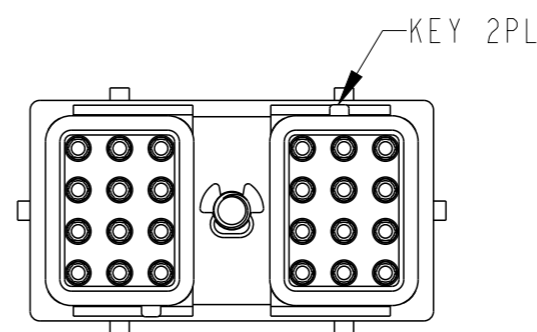
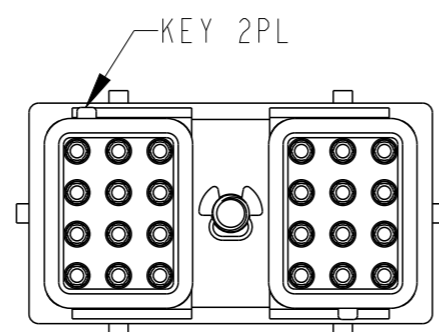
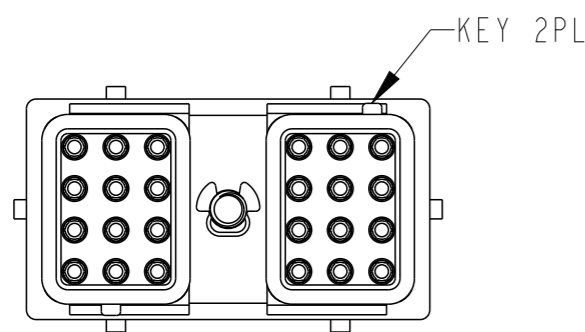
NOTES: UNLESS OTHERWISE SPECIFIED

TE INTERNAL PN	DEUTSCH PN
DRC16-24SAE	DRC16-24SAE
DRC16-24SBE	DRC16-24SBE
DRC16-24SCE	DRC16-24SCE
DRC16-24SDE	DRC16-24SDE

THIS DRAWING IS A CONTROLLED DOCUMENT.		DWN D.MEYER 08APR2002	TE Connectivity	
DIMENSIONS: INCHES [mm]		CHK JAIME C.APOSTOL 08AUG2011		
TOLERANCES UNLESS OTHERWISE SPECIFIED:		APVD D.MEYER 08AUG2011	NAME PLUG 24 SIZE 16 KEYS: A,B,C,D E SEAL COLOR: BLACK DRC SERIES	
0 PLC ±		PRODUCT SPEC -	SIZE A3	CAGE CODE 4AFU8
1 PLC ±		APPLICATION SPEC -	DRAWING NO. C=DRC16-24SXE	RESTRICTED TO -
2 PLC ±		WEIGHT -	SCALE 1.5:1	SHEET 1 OF 2
3 PLC ±.025 [.64]		CUSTOMER DRAWING	REV B	
4 PLC ±				
ANGLES ±				
FINISH -				
MATERIAL 4				

REVISIONS

P	LTR	DESCRIPTION	DATE	DWN	APVD
	-	SEE SHEET 1	-	-	-



DRC16-24SAE
KEY: -A-

DRC16-24SBE
KEY: -B-

DRC16-24SCE
KEY: -C-

DRC16-24SDE
KEY: -D-

THIS DRAWING IS A CONTROLLED DOCUMENT.		DWN D.MEYER 08APR2002		
DIMENSIONS: INCHES [mm]		CHK JAIME C. APOSTOL 08AUG2011		
TOLERANCES UNLESS OTHERWISE SPECIFIED:		APVD D.MEYER 08AUG2011	NAME PLUG 24 SIZE 16 KEYS: A,B,C,D E SEAL COLOR: BLACK DRC SERIES	
		PRODUCT SPEC -	SIZE A3	
0 PLC ± 1 PLC ± 2 PLC ± 3 PLC ±.025 [.64] 4 PLC ± ANGLES ±0°30'0"		APPLICATION SPEC -	CAGE CODE 4AFU8	DRAWING NO DRC16-24SXE
MATERIAL 	FINISH -	WEIGHT -	RESTRICTED TO -	
CUSTOMER DRAWING			SCALE 1:1	SHEET 2 OF 2
			REV B	