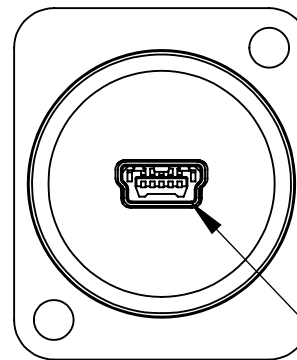
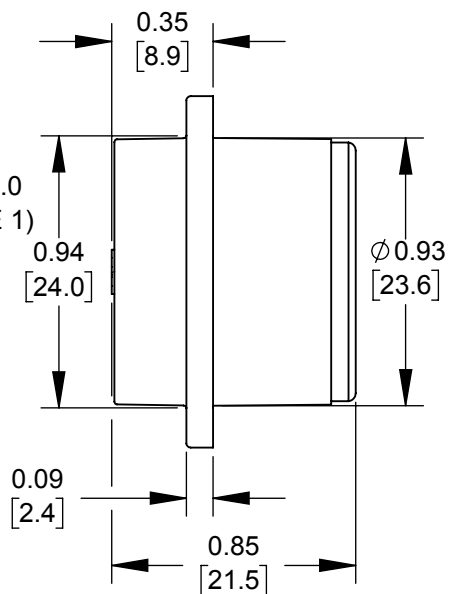


FRONT VIEW

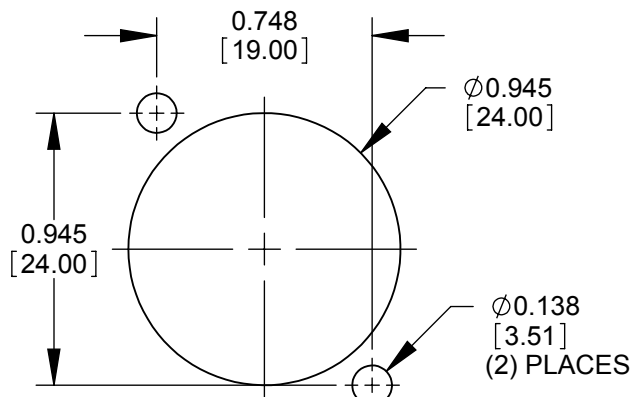
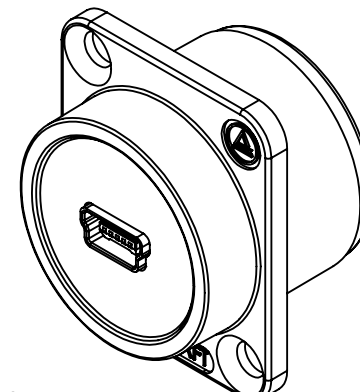
$\phi 0.138$ [3.50] THRU
 $\checkmark \phi 0.230$ [5.84] x 82°
 (2) PLACES

MINI USB 2.0
(SEE NOTE 1)



REAR VIEW

MINI USB 2.0
(SEE NOTE 1)



RECOMMENDED
PANEL CUT-OUT

CUSTOMER DRAWING

NOTES:

- RECEPTACLE IS USB 2.0 MINI TYPE "B".
- MATERIALS:
 USB 2.0 MINI -
 INSULATOR - THERMOPLASTIC, BLACK
 SHELL - COPPER ALLOY, NICKEL PLATED
 CONTACTS - COPPER ALLOY, GOLD PLATED
 PCB - FR4
 EH HOUSING - THERMOPLASTIC, BLACK
- THIS PRODUCT IS RoHS COMPLIANT.

					THIS DRAWING DESCRIBES A DESIGN CONSIDERED PROPRIETARY IN NATURE, DEVELOPED AND MANUFACTURED BY SWITCHCRAFT INC. AND IS RELEASED ON A CONFIDENTIAL BASIS FOR IDENTIFICATION PURPOSES ONLY.				
					SIZE	WIDTH	MULT	LBS/M	TEMPER
					FINISH			MATERIAL	
					SPEC No.			SPEC No.	
					FIRST USED ON		SCALE		
							3:2		
					DATE DRAWN	BY	CHKD	APVD	
					8/22/18	JGK	*	*	
							*	*	
					NAME			PART No.	
					EH USB 2.0 MINI FEED-THRU, RoHS			EHUSBMNMN	
					DO NOT SCALE DRAWING			REV	
								0A	
0A	PDR 18003	8/22/18	JGK	*					
REV	ECO NUMBER	DATE	BY	APVD					
REVISIONS									

