

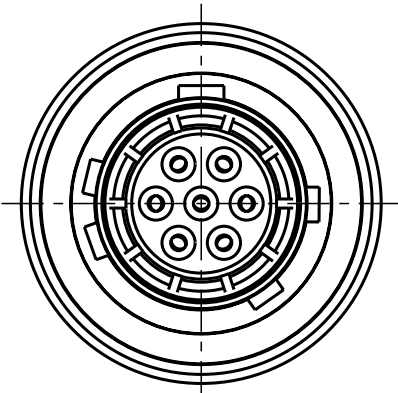
Für diese Unterlage behalten wir uns alle Rechte vor, auch für den Fall der Patentierung oder Gebrauchsmusteranmeldung. Sie darf ohne unsere vorherige schriftliche Zustimmung weder teilsweise noch sonstwie benutzt, noch Drucken zugänglich gemacht werden.

Nur rot gestempelte oder auf Laufr Karte gedruckte Dokumente unterliegen dem Änderungsdienst und sind zur Fertigung freigegeben. Only red stamped or on job card printed documents are managed. These documents are approved for production.

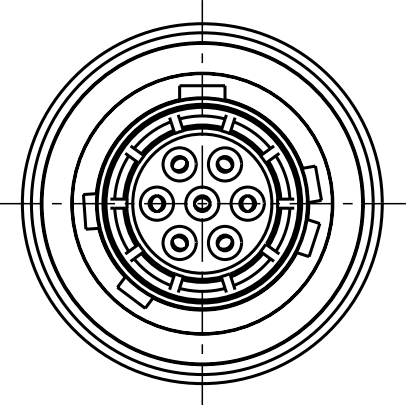
All Rights reserved, including possible patents or trademarks. Documents shall not be provided to a third party or duplicated in any form without prior written permission.

CAD: Pro/ENGINEER

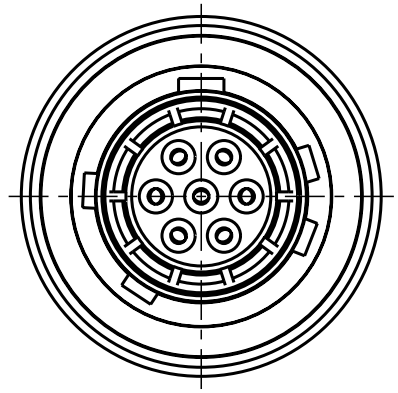
Additional coding
View in direction B



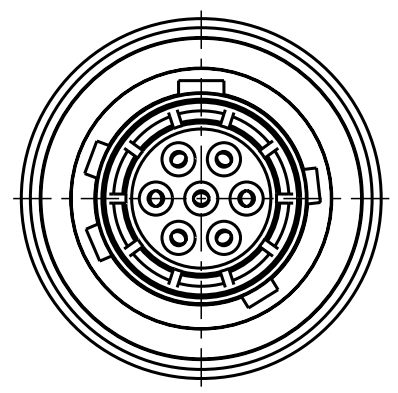
K10YBR-P07WCD0-0000
Mechanical coding: B
Color coding: red



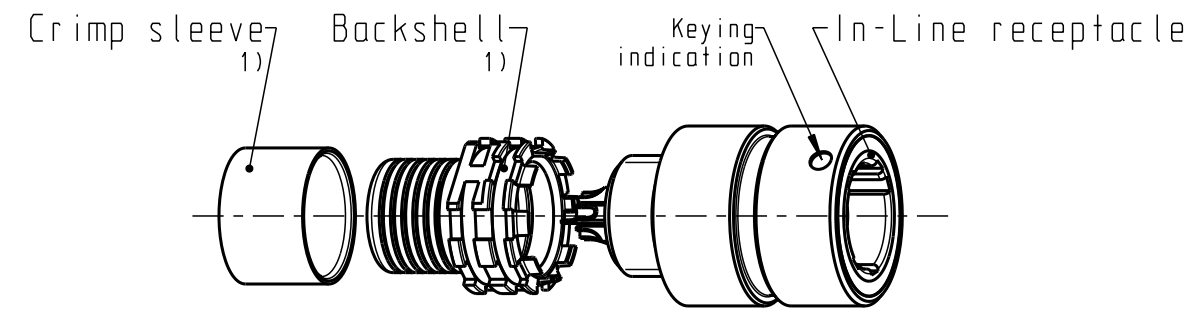
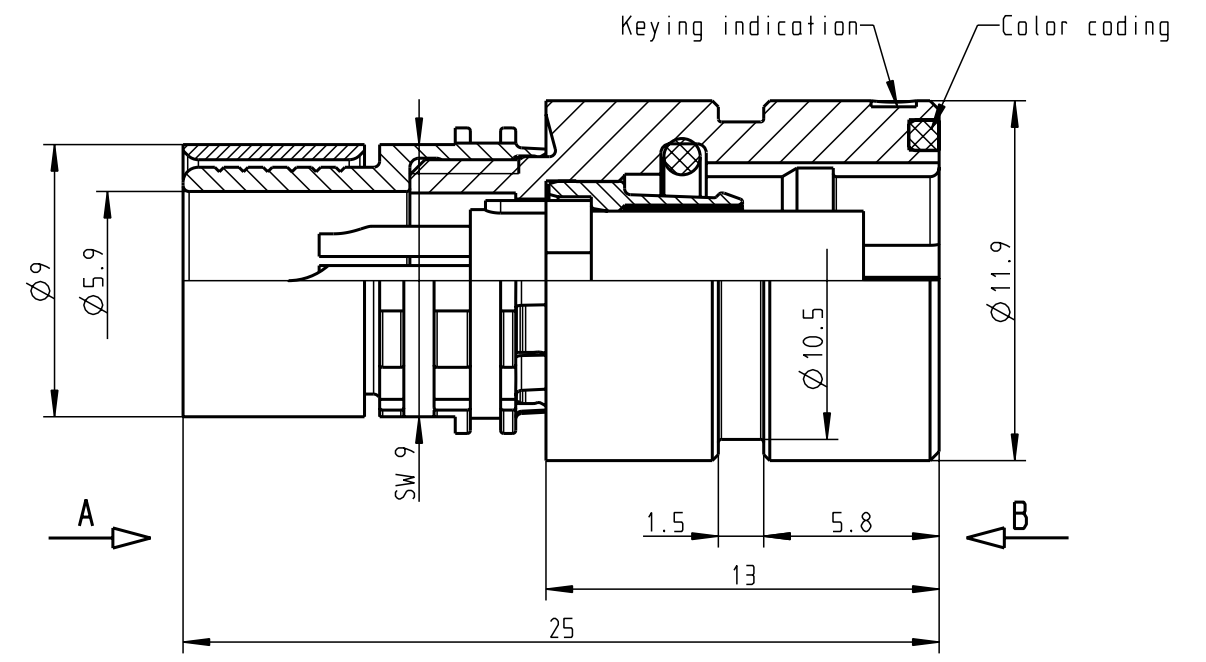
K10YAR-P07WCD0-0000
Mechanical coding: A
Color coding: light brown



K10YCR-P07WCD0-0000
Mechanical coding: C
Color coding: blue

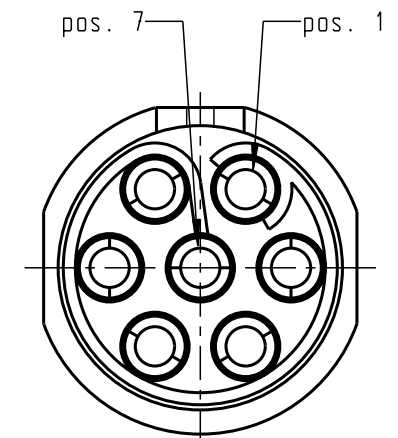


K10YDR-P07WCD0-0000
Mechanical coding: D
Color coding: green



Delivery condition
2:1

Only insert
View in direction A
8:1



Technical information


- Max. cable \varnothing 5.5mm (Based on cable with one braided shield)
- Solder contacts: AWG26
- Current load: $5A @ \Delta t 40^\circ$ (Single contact)
 $3.25A @ \Delta t 40^\circ$ (Insert)
- Test voltage: 900V (acc. SAE AS 13441:1998, Contact to contact)
- Rated voltage: 300V (acc. SAE AS 13441:1998) 2)

- For more technical information and accessories see catalogue (www.odu.de/amc)

1) For crimp information, torque, etc. see assembly instruction 010.645.001.000.003 (www.odu.de/amc/assembly)

2) Maximal operating voltage at sea level up to 2.000m. Rated voltage applies no other electrical safety standard. In case other standards rule a specific use of the connector, the application specific safety criteria shall be considered first. This must be evaluated in the frame of equipment engineering.

All shown connectors are according to DIN EN 61984:2009 connectors without breaking capacity (COC)!

| | | | | | | | |
|------------------------|--|--|--|---|--|----------------------------------|--|
| | | | | Dimensions without tolerances acc. to middle DIN ISO 2768 | | PE-modell-nr.: | |
| | | | | | | CAD-nr.: 00050339 | |
| | | | | 2011 date name | | sheet.: | |
| | | | | prep. 13.09. M. Meier | | scale: 4:1 | |
| | | | | app. | | drawing nr.: K10Y.R-P07WCD0-0000 | |
| | | | | norm. | | copy | |
| index notice date name | | | |  otto dunkel gmbh | | replacement for: nr. | |