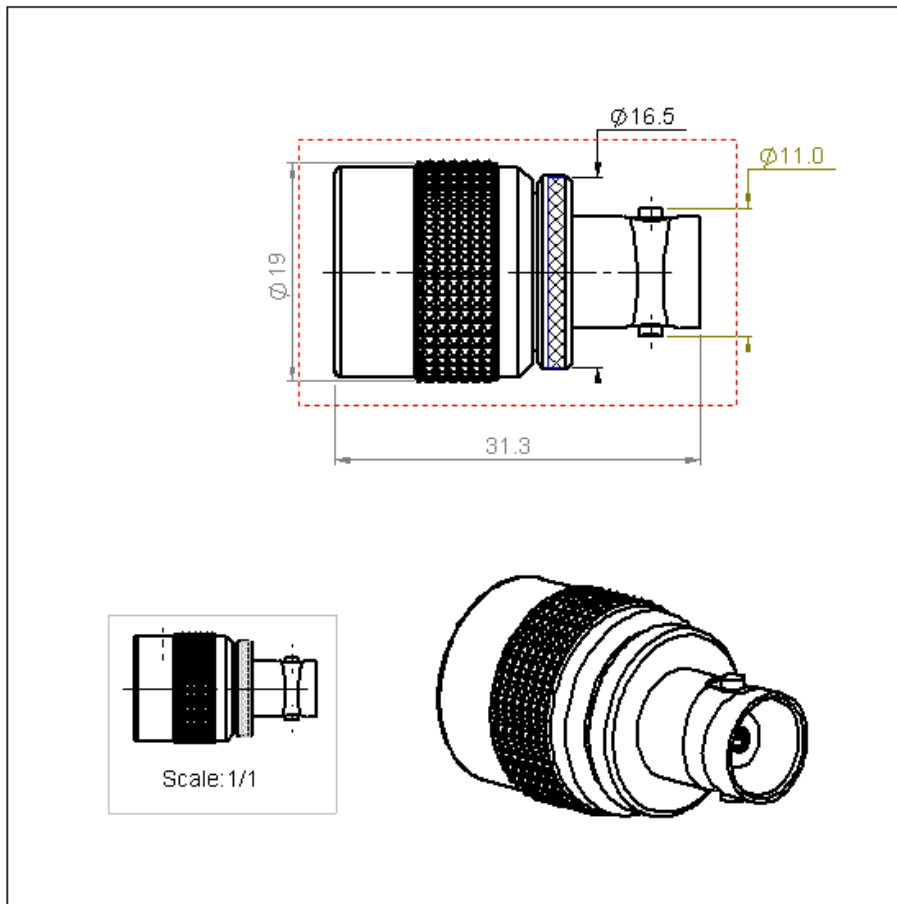


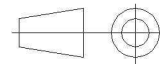
**BNC FEMALE - C MALE STRAIGHT ADAPTER**

**R191.429.000**

Série : ADAPT



All dimensions are in mm.



COMPONENTS	MATERIALS	PLATINGS (µm)
BODY	LAITON	NICKEL 2
CENTER CONTACT	CUPRO BERYLLIUM	ARGENT 5 SUR CUIVRE 0.5
OUTER CONTACT	CUPRO BERYLLIUM	NICKEL 2
INSULATOR	PTFE	
GASKET	ELASTOMERE SILICONE	
OTHERS PARTS	LAITON	NICKEL 2
-	-	-
-	-	-

Issue : 0512 S

In the effort to improve our products, we reserve the rights to make changes judged to be necessary.



**BNC FEMALE - C MALE STRAIGHT ADAPTER**

**R191.429.000**

Série : ADAPT

**PACKAGING**

**SPECIFICATION**

Standard	Unit	Other
<b>1</b>	-	<b>Contact us</b>

**ELECTRICAL CHARACTERISTICS**

**ENVIRONMENTAL**

Impedance **50** Ω  
 Frequency **0-4** GHz  
 VSWR **1.2 + 0,0200** x F(GHz) Maxi  
 Insertion loss - √F(GHz) dB Maxi  
 RF leakage - ( - F(GHz)) dB Maxi  
 Voltage rating - Veff Maxi  
 Dielectric withstanding voltage **1500** Veff mini  
 Insulation resistance **5000** MΩ mini

Operating **-55/+125** °C  
 Hermetic seal **NA** Atm.cm3/s  
 Panel leakage **NA**

**MECHANICAL CHARACTERISTICS**

**OTHERS CHARACTERISTICS**

Center contact retention  
 Axial force – Mating end **27** N mini  
 Axial force – Opposite end **27** N mini  
 Torque **NA** N.cm mini

Recommended torque  
 Mating **BNC** **0** N.cm  
                                   **C** **0** N.cm  
                                   **-** **0** N.cm  
 Panel nut **NA** N.cm

Mating life **500** Cycles mini  
 Weight **25,1030** g

Issue : 0512 S

In the effort to improve our products, we reserve the rights to make changes judged to be necessary.

