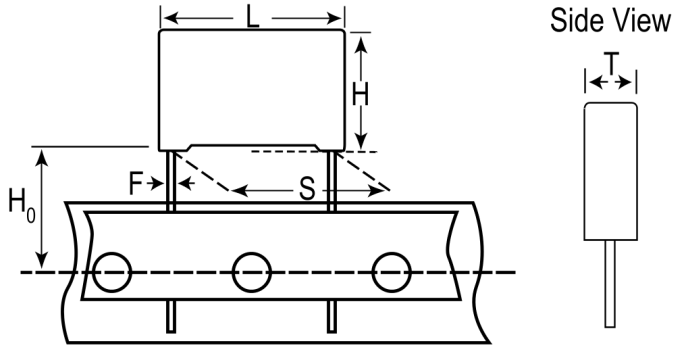


## R60MF3100DQ6AK

Aliases (60MF3100DQ6AK)

R60, Film, Metallized Polyester Stacked, Automotive Grade, 0.1 uF, 10%, 400 VDC, 85°C, Lead Spacing = 10mm



Click [here](#) for the 3D model.

### Dimensions

L	13mm +0.2mm
H	11mm +0.1mm
T	5mm +0.2mm
S	10mm +/-0.4mm
H0	18.5mm +/-0.5mm
F	0.6mm +/-0.05mm

### Packaging Specifications

Packaging	Ammo, 360x340x59mm, Box
Packaging Quantity	800

### General Information

Series	R60
Dielectric	Metallized Polyester Stacked
Style	Radial
Features	Automotive Grade, DC Multipurpose Applications
RoHS	Yes
Lead	Wire Leads
Qualifications	AEC-Q200
AEC-Q200	Yes
Component Weight	1.22 g
Miscellaneous	Upper Operating Temperature Of 125C Is Allowed For A Maximum Operating Time Of 1,000 Hours. Above 85C, DC And AC Voltage Derating Is 1.25%/C.

### Specifications

Capacitance	0.1 uF
Capacitance Tolerance	10%
Voltage AC	200 VAC
Voltage DC	400 VDC
Temperature Range	-55/+105°C
Rated Temperature	85°C
Dissipation Factor	1% 1kHz, 1.5% 10kHz
Insulation Resistance	30 GOhms
Max dV/dt	175 V/us
Inductance	9 nH