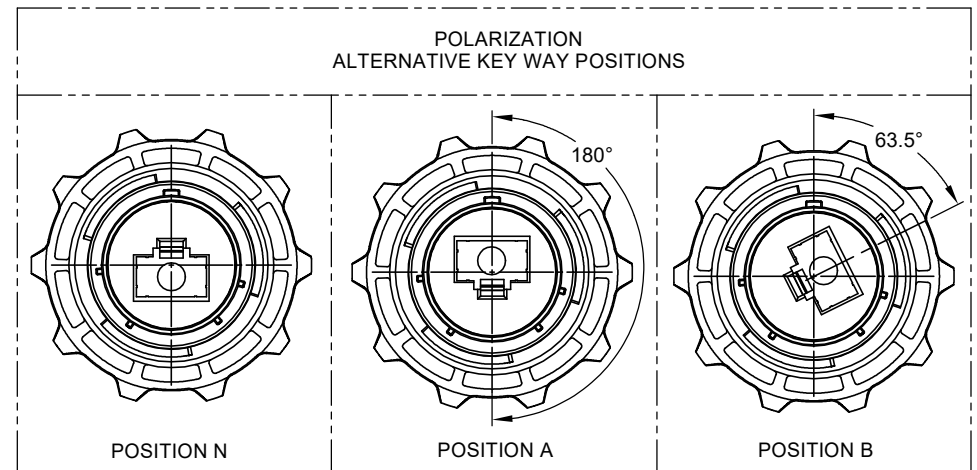
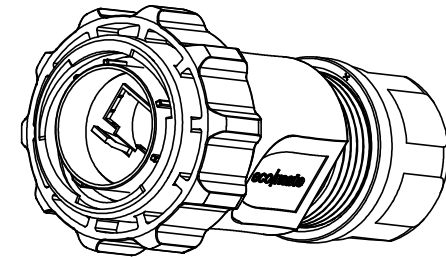
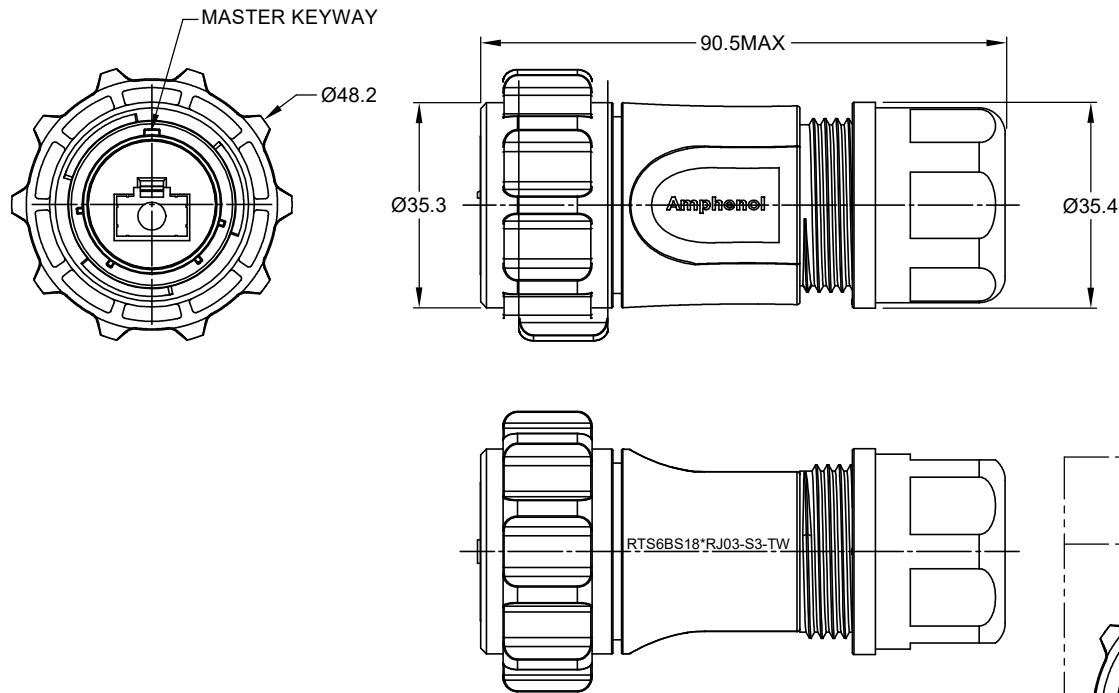


REVISIONS					
REV	ECO	DESCRIPTION	DATE	BY	APPR
A1	-	RELEASE DRAWING	04/Feb/21	KEVIN	TOMMY
A2	-	UPDATED OPERATING TEMPERATURE	28/Apr/21	Ronald	Tommy



NOTES: (UNLESS OTHERWISE SPECIFIED)

- MATERIAL:
  - SHELL: THERMOPLASTIC, UL94 V-0.
  - INSERT: THERMOPLASTIC.
  - COUPLING NUT: THERMOPLASTIC, UL94 V-0.
  - O-RING: NBR/CHLOROPRENE RUBBER.
  - WASHER: SILICONE RUBBER.
  - BACK SHELL: THERMOPLASTIC, UL94 V-0.
  - CLAMP NUT: THERMOPLASTIC, UL94 V-0.
  - CLAMP RING: THERMOPLASTIC, UL94 V-0.
  - CABLE SEAL: EPDM.
- SPECIFICATIONS:
  - 2.1 OPERATING TEMPERATURE: -40°C ~ +105°C .
  - 2.2 IP--CLASS: IP67 AND IP69K IN THE MATED CONDITION.
  - 2.3 MATING CYCLES DURABILITY: 250 CYCLES MIN.
  - 2.4 RoHS COMPLIANT.
- MATING PART: RTS718\* RJ03-U1 RECEPTACLES ("\*" = N,A,B KEYS; )
- ALL DIMENSIONS ARE FOR REFERENCE USE ONLY.

KEY	PART NUMBER	CABLE OD RANGE
N	RTS6BS18NRJ03-S3-TW	Ø5.0-8.5mm
A	RTS6BS18ARJ03-S3-TW	
B	RTS6BS18BRJ03-S3-TW	

SEE CHART																															
PART NUMBER		DESCRIPTION		ITEM																											
<table border="1"> <thead> <tr> <th>QUANTITY</th> <th colspan="4">MATERIALS LIST</th> </tr> </thead> <tbody> <tr> <td rowspan="4">           UNLESS OTHERWISE SPECIFIED            1) All dimensions are in metric(mm).            2) Tolerances are as follows:            1 PL DEC ±0.30            2 PL DEC ±0.15            3 PL DEC ±0.08            3) Note reference =  </td> <td>           SIGNATURES            DRAWN: <b>Ronald</b>            CHECKED: <b>Orion</b>            ENGINEER:            APPROVAL: <b>Tommy</b> </td> <td>           DATE            28/Apr/21            29/Apr/21            30/Apr/21         </td> <td colspan="2" rowspan="4"> <div style="text-align: center;"> <h1>Amphenol</h1> <p>Sine Systems - www.amphenol-sine.com            44724 Morley Drive            Clinton Township, MI 48036</p> <p>ECO-MATE AQUARIUS, PLUG, BACK SHELL,            SIZE 18 ,8POS,RJ45</p> </div> </td> </tr> <tr> <td colspan="2">           MATERIAL SPECIFICATIONS:         </td> <td rowspan="3">           THIS DRAWING IS SUPPLIED FOR INFORMATION ONLY. DESIGN FEATURES, SPECIFICATIONS AND PERFORMANCE DATA SHOWN HEREON ARE THE PROPERTY OF THE AMPHENOL CORPORATION. NO RIGHTS OF REPRODUCTION ARE IMPLIED. ALL DIMENSIONS ARE SUBJECT TO NORMAL MANUFACTURING VARIATIONS.         </td> </tr> <tr> <td colspan="2">           PROCESS SPECIFICATIONS:         </td> </tr> <tr> <td colspan="2">           NEXT ASSY:         </td> </tr> <tr> <td colspan="2">           SIZE TYPE  <b>B C-</b> </td> <td>           DWG NO:  <b>RTS6BS18* RJ03-S3-TW</b> </td> <td colspan="2">           REVISION  <b>A2</b> </td> </tr> <tr> <td colspan="2">           SCALE: NONE         </td> <td colspan="2">           SHEET 1 OF 1         </td> <td></td> </tr> </tbody> </table>					QUANTITY	MATERIALS LIST				UNLESS OTHERWISE SPECIFIED 1) All dimensions are in metric(mm). 2) Tolerances are as follows: 1 PL DEC ±0.30 2 PL DEC ±0.15 3 PL DEC ±0.08 3) Note reference =	SIGNATURES DRAWN: <b>Ronald</b> CHECKED: <b>Orion</b> ENGINEER: APPROVAL: <b>Tommy</b>	DATE 28/Apr/21 29/Apr/21 30/Apr/21	<div style="text-align: center;"> <h1>Amphenol</h1> <p>Sine Systems - www.amphenol-sine.com            44724 Morley Drive            Clinton Township, MI 48036</p> <p>ECO-MATE AQUARIUS, PLUG, BACK SHELL,            SIZE 18 ,8POS,RJ45</p> </div>		MATERIAL SPECIFICATIONS:		THIS DRAWING IS SUPPLIED FOR INFORMATION ONLY. DESIGN FEATURES, SPECIFICATIONS AND PERFORMANCE DATA SHOWN HEREON ARE THE PROPERTY OF THE AMPHENOL CORPORATION. NO RIGHTS OF REPRODUCTION ARE IMPLIED. ALL DIMENSIONS ARE SUBJECT TO NORMAL MANUFACTURING VARIATIONS.	PROCESS SPECIFICATIONS:		NEXT ASSY:		SIZE TYPE <b>B C-</b>		DWG NO: <b>RTS6BS18* RJ03-S3-TW</b>	REVISION <b>A2</b>		SCALE: NONE		SHEET 1 OF 1		
QUANTITY	MATERIALS LIST																														
UNLESS OTHERWISE SPECIFIED 1) All dimensions are in metric(mm). 2) Tolerances are as follows: 1 PL DEC ±0.30 2 PL DEC ±0.15 3 PL DEC ±0.08 3) Note reference =	SIGNATURES DRAWN: <b>Ronald</b> CHECKED: <b>Orion</b> ENGINEER: APPROVAL: <b>Tommy</b>	DATE 28/Apr/21 29/Apr/21 30/Apr/21	<div style="text-align: center;"> <h1>Amphenol</h1> <p>Sine Systems - www.amphenol-sine.com            44724 Morley Drive            Clinton Township, MI 48036</p> <p>ECO-MATE AQUARIUS, PLUG, BACK SHELL,            SIZE 18 ,8POS,RJ45</p> </div>																												
	MATERIAL SPECIFICATIONS:				THIS DRAWING IS SUPPLIED FOR INFORMATION ONLY. DESIGN FEATURES, SPECIFICATIONS AND PERFORMANCE DATA SHOWN HEREON ARE THE PROPERTY OF THE AMPHENOL CORPORATION. NO RIGHTS OF REPRODUCTION ARE IMPLIED. ALL DIMENSIONS ARE SUBJECT TO NORMAL MANUFACTURING VARIATIONS.																										
	PROCESS SPECIFICATIONS:																														
	NEXT ASSY:																														
SIZE TYPE <b>B C-</b>		DWG NO: <b>RTS6BS18* RJ03-S3-TW</b>	REVISION <b>A2</b>																												
SCALE: NONE		SHEET 1 OF 1																													

TITLE: ECO-MATE AQUARIUS, PLUG, BACK SHELL, SIZE 18 ,8POS, RJ45  
 DWG NO.: RTS6BS18\* RJ03-S3-TW  
 REV: A2  
 SH: 1  
 OF: 1