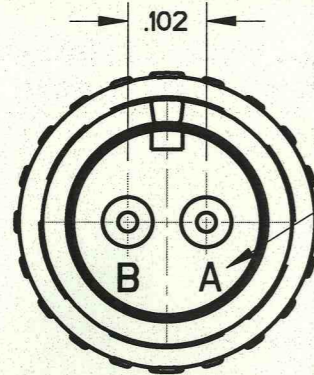
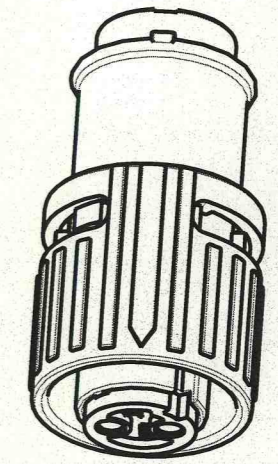
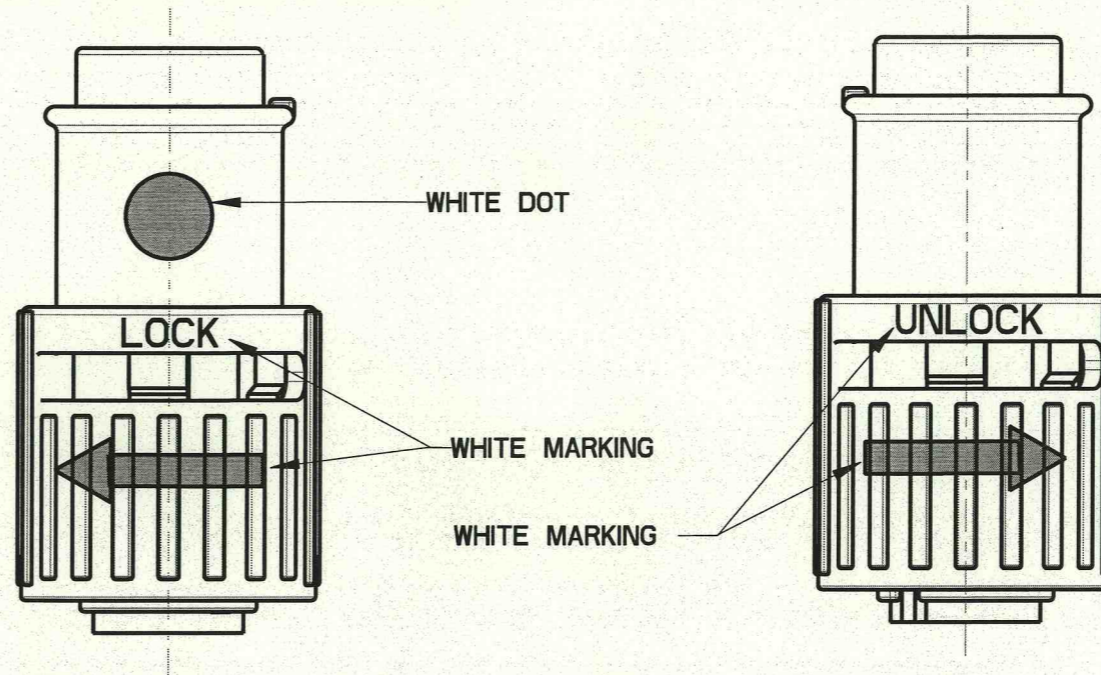


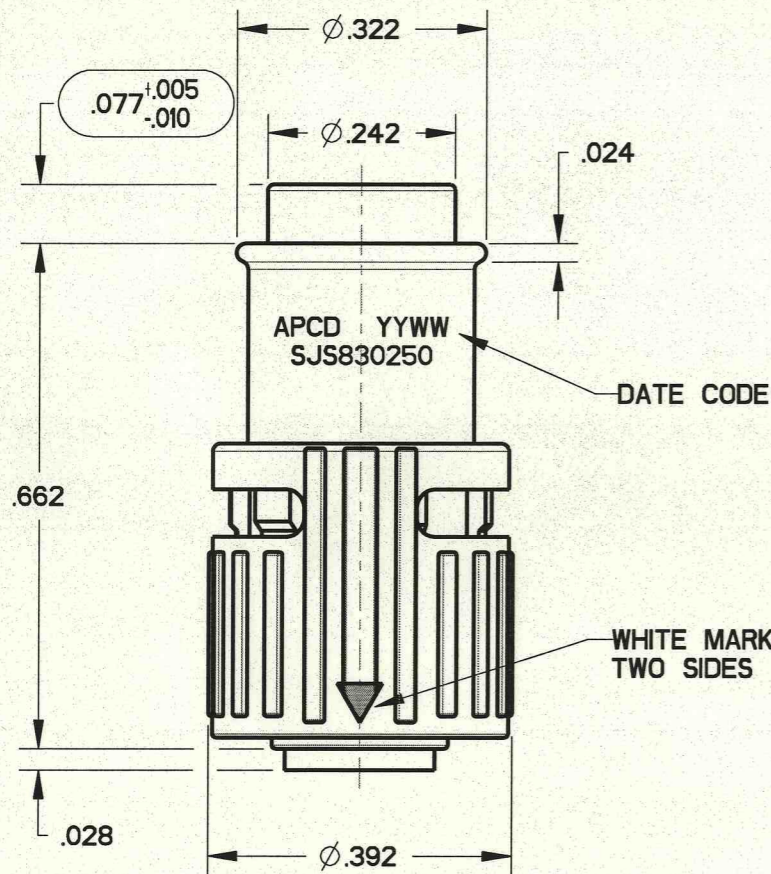
REV	ECN	APP'D
-	6431	<i>[Signature]</i> 10/28/09



WHITE MARKING  
0.040" HIGH CHARACTERS



SCALE 3:1



TEST	REQUIREMENT	TEST METHOD MIL-STD-1344 (SUPERSEDED BY EIA 364)
OPERATING TEMP.	- 65° TO + 125° C	N/A
CONTACT RESISTANCE	.020 OHMS MAXIMUM	#3004 (EIA-364-6)
DIELECTRIC WITHSTANDING	1000 VRMS, 60Hz • SEA LEVEL 300 VRMS, 60Hz • 70,000 FEET 300 VRMS, 60Hz • 100,000 FEET	#3001 (EIA-364-20)
INSULATION RESISTANCE	5000 MEGAOHMS MINIMUM • 500 VDC	#3003 (EIA-364-21)
DURABILITY	500 MATING CYCLES	MIL-DTL-55302 4.5.9
TEMPERATURE CYCLING	5 (1) HR CYCLES: -65° C TO +125° C	#1003 (EIA-364-32)
VIBRATION	10-2000 Hz, 15G PEAK	#2005 (EIA-364-28)
SHOCK	100G SAWTOOTH, 6MS	#2004 (EIA-364-27)
SALT SPRAY	5% SALT SPRAY •95° F FOR 48 HRS	#1001 (EIA-364-26)
HUMIDITY	10 DAYS • 25° C TO 65° C, 80-90% RH	#1002 (EIA-364-31)

- NOTES:
- MATERIALS:  
HOUSING: PA6/6  
CONTACT RETAINER: STAINLESS STEEL  
GROMMET: SILICONE RUBBER PER A-A-59588
  - ACCEPTS M39029/57-354 SOCKET CONTACTS (NOT INCLUDED)
  - TEST SPECIFICATION REFER TO TABLE
  - WHEN ASSEMBLED, "LOCK" AND ARROW MARKINGS MUST ALIGN WITH WHITE DOT
  - PART MATES WITH SJS830270
  - WEIGHT: 1.5 GRAMS

DIMENSIONS ANSI Y14.5M UNITS: INCHES Pro/E FILE	TOLERANCES .XX ±0.01 .XXX ±0.005 ANGLES ±0.5°	PROJECTION 	<b>Amphenol Pcd</b> SPECIFICATION DRAWING ENGR Frank.Li 15-Jan-09		TITLE SIZE22 2P PLUG FOR SJS	
			ORIGINAL 	THIS DOCUMENT CONTAINS PROPRIETARY INFORMATION WHICH IS THE CONFIDENTIAL PROPERTY OF AMPHENOL PCD INC., BEVERLY, MA		CHKD <i>[Signature]</i> 10/28/09 APPD <i>[Signature]</i> 10/28/09

SJS830250

SJS830250