



General Electronic Devices

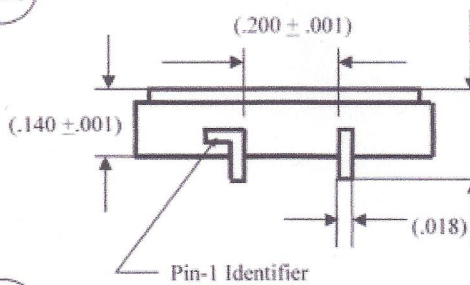
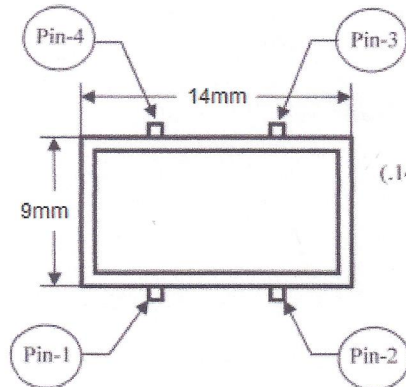
Makers of active and passive components
 Quartz Crystal * Oscillators * Synthesizer * Filters
 Micro-Hybrid Assembly Services

SMD914CB(E/D)-16.000MHz

THIS DEVICE IS RoHs COMPLIANT

ELECTRICAL SPECIFICATIONS	
Type	9x14 mm "J lead" SMD Oscillator
Frequency	16.000MHz
Frequency Tolerance	$\pm 10\text{ppm}@25^{\circ}\text{C}$
Frequency Stability	$\pm 50\text{ppm}$ All Inclusive
Operating Temperature	0 to $+70^{\circ}\text{degC}$
Storage Temperature	$-55 - +125^{\circ}\text{C}$
Input Voltage	$5.0\text{V} \pm 10\% \text{VDC}$
Input Current	15 mA (Max)
CMOS OUTPUT: "0" Level "1" Level	10%VDD (MAX) 90% VDD (MIN)
Symmetry	40% to 60% (at 50% VDD)
Rise and Fall Time	200 nS (MAX)
Tri-State Output (EN/MC)	EN
Output Load	15pF
Start-Up Time	5 ms (typical)
Aging Rate	+ 3ppm/Year MAX

DRAWING OUTLINE



(Unit: inches)

PIN CONFIGURATION	
Pin 1	E/D
Pin 2	GND
Pin 3	OUTPUT
Pin 4	VDD