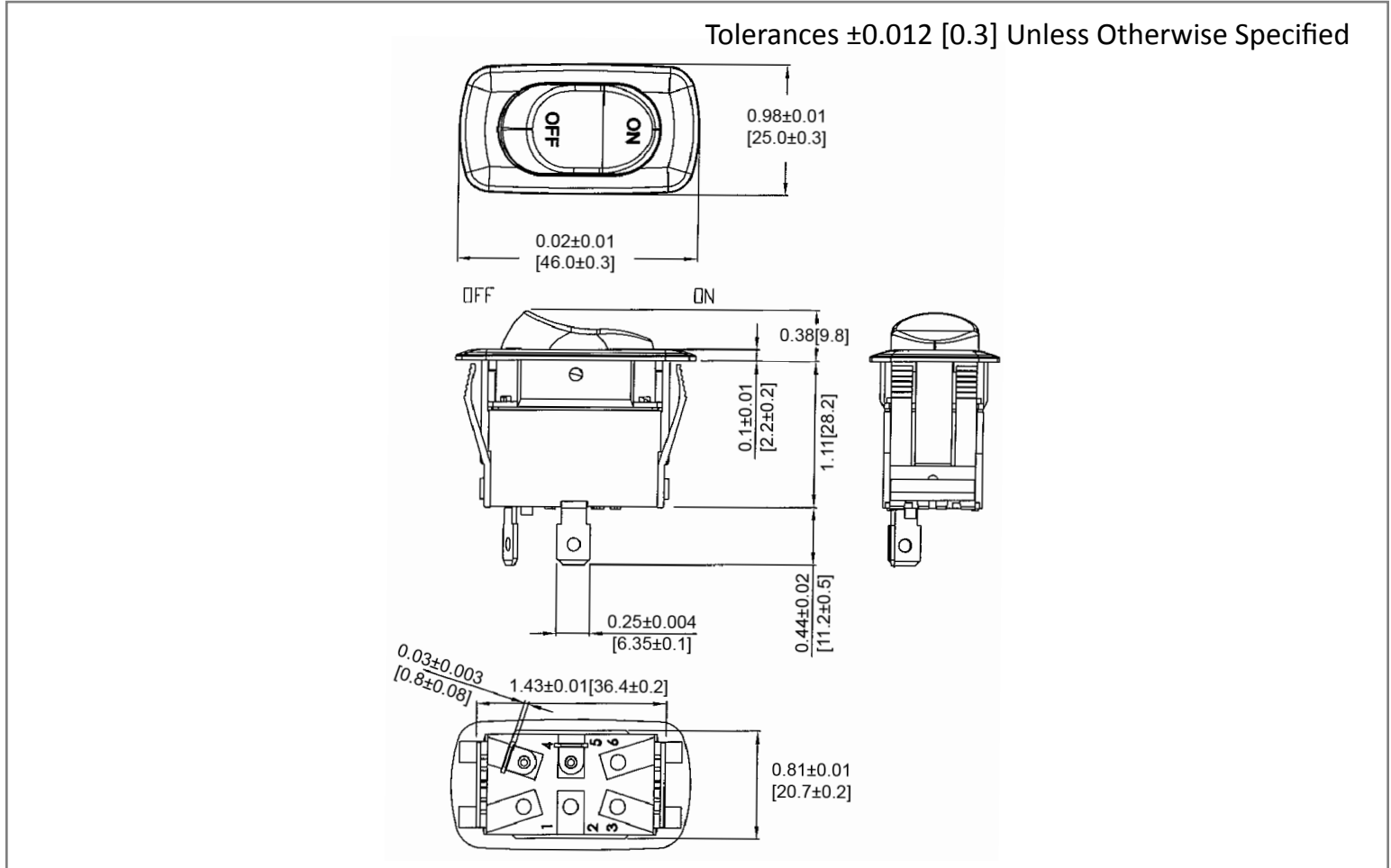
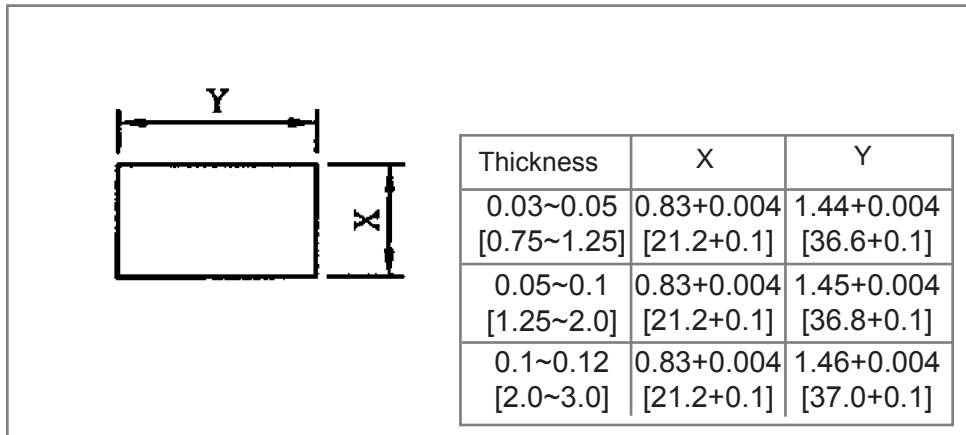


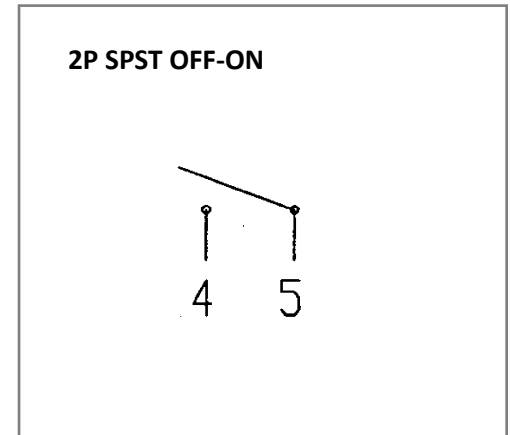
Mechanical Dimensions: Inches [mm]



Mounting Hole



Circuit Diagram



Electrical Specifications

Rating	16(4)A 125/250V AC. R/GP: 20A 125V AC 16A 125VAC 10A 277VAC 3/4HP	
Contact Resistance	50m ohm Max	
Insulation Resistance	DC 500V 100M ohm Min	
Dielectric Strength	AC 1500V 1 minute	
Operation Temperature	-20°C~85°C	

Material Specifications

Frame	Black, Nylon 66
Actuator	Black, Nylon 66
Waterproof	IP56
Printed	White, Hot Stamping

Rev **Date of issue** **Revision Notes**

Designed **Approved**

B	06-08-2021	Initial Drawing	RC	OF
---	------------	-----------------	----	----