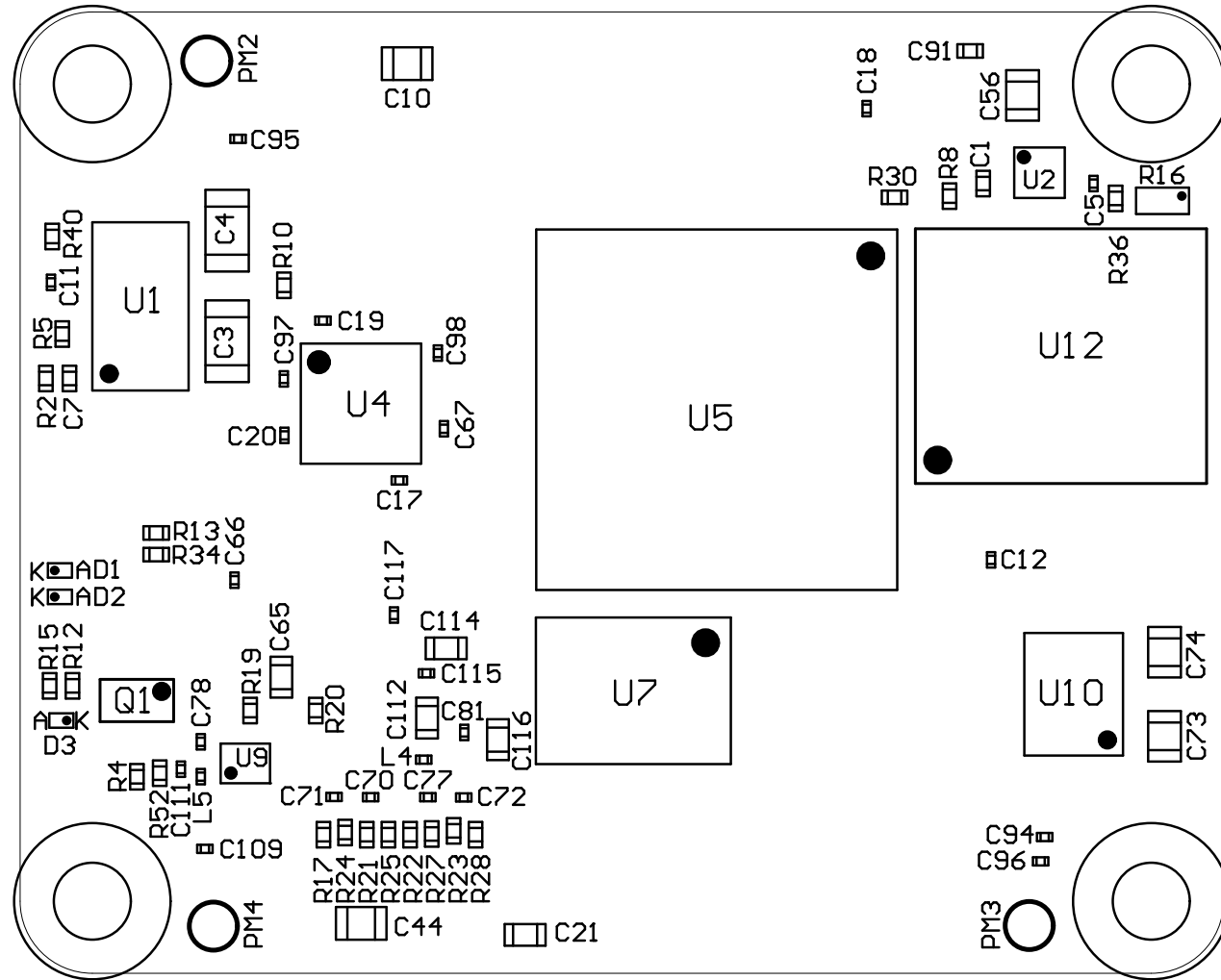


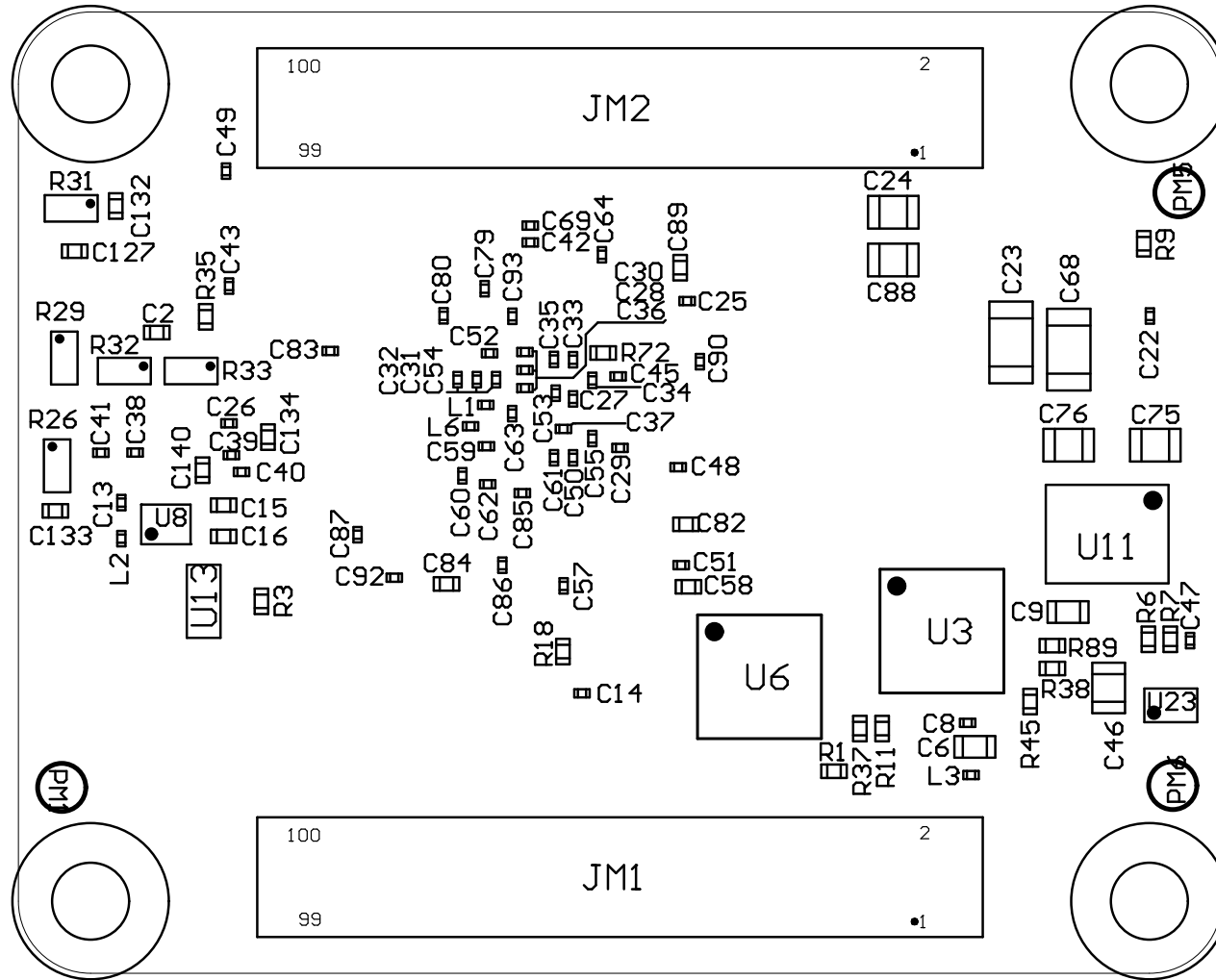
Variant name: TE0710-02-100-2CF

Top View

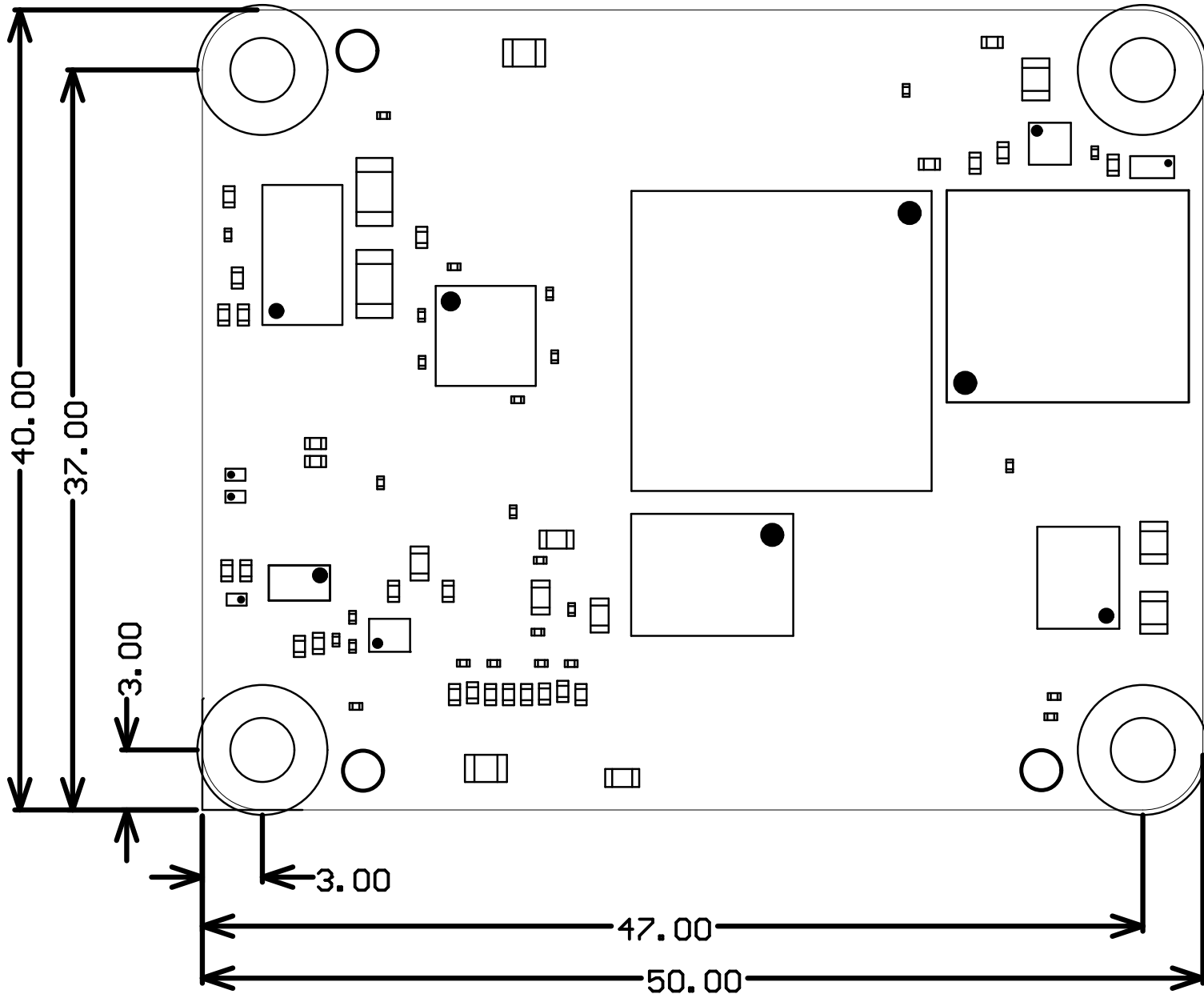


Variant name: TE0710-02-100-2CF

Bottom View

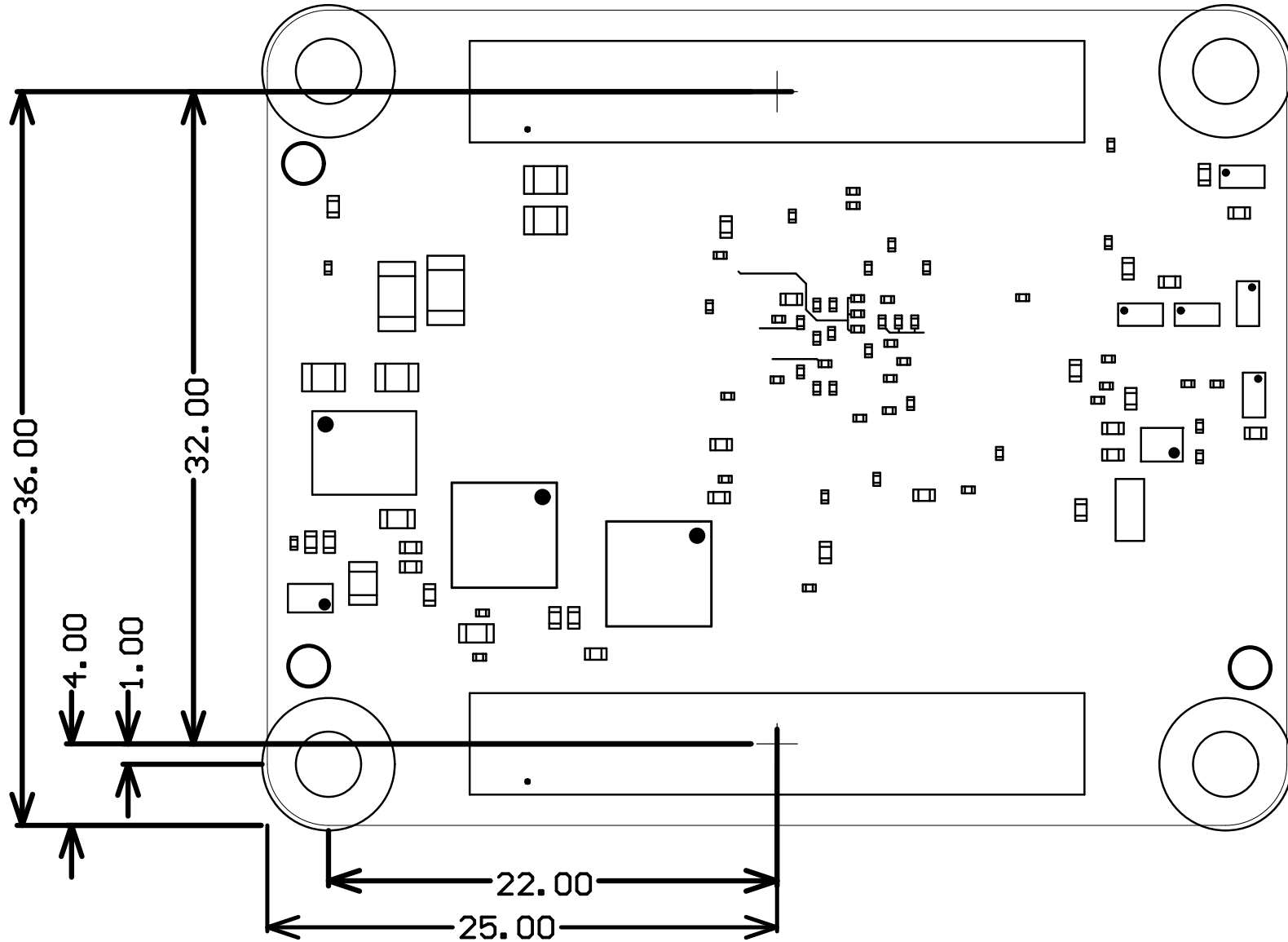


Top View



Mounting Holes

Top View



Samtec Connectors