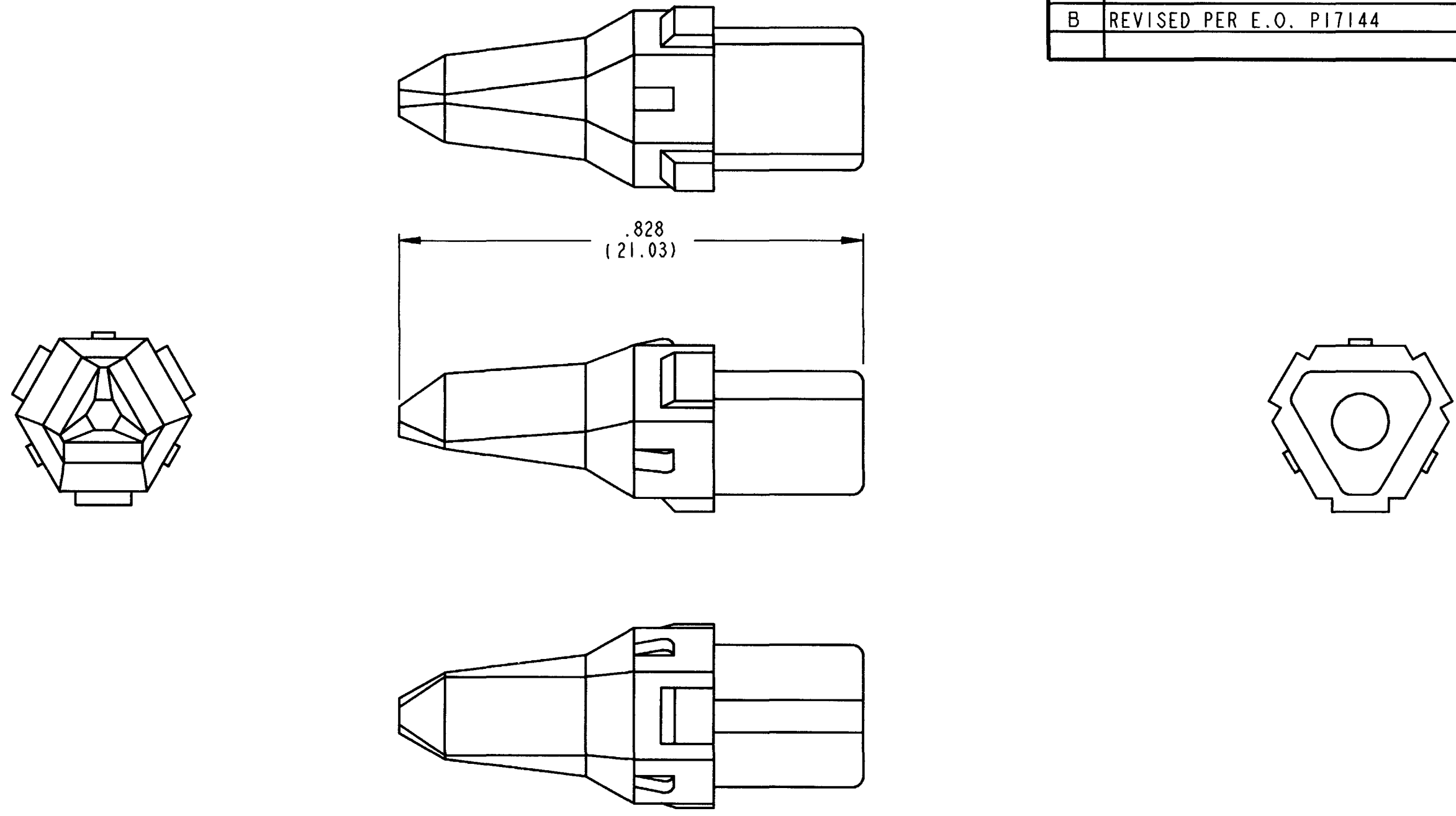


REV  
B **W3P-1939**

| REVISIONS |                             |         |          |
|-----------|-----------------------------|---------|----------|
| SYM       | DESCRIPTION                 | DATE    | APPROVED |
| NC        | NEW RELEASE PER E.O. A14607 | 8/5/94  | R.D.R.   |
| A         | REVISED PER E.O. P15222     | 2/28/97 | R.D.R.   |
| B         | REVISED PER E.O. P17144     | 2-21-01 | RDR      |



- NOTES:
4. COLOR OF MATERIAL: BLUE.
  3. CONSULT FACTORY FOR APPLICATION.
  2. ALL DIMENSIONS ARE  $\pm .025$  [.63] UNLESS OTHERWISE SPECIFIED.
  1. ALL DIMENSIONS ARE IN INCHES [MILLIMETERS].

| SIGNATURE & DATE |                             |
|------------------|-----------------------------|
| DR               | A. LEE 4FEB97               |
| CHK              | <i>P. Polinski</i> 2/19/01  |
| PE               | <i>John Gilmore</i> 2/14/01 |
| APPD             | <i>SP</i> 2-21-01           |
| SCALE            | NONE WT                     |

KEYED WEDGE LOCK  
FOR 3 WAY RECT.  
D.T. SERIES

ENVELOPE

|  |                        |
|--|------------------------|
| CP   | MATL. CODE             |
| <b>The Deutch Company</b><br>DEUTSCH I.P.D.<br>3850 INDUSTRIAL AVE.<br>HEMET, CALIF. 92545 |                        |
| <b>B</b>   | <b>W3P-1939</b>        |
| DWG SIZE   | CODE 1139 SHEET 1 OF 1 |