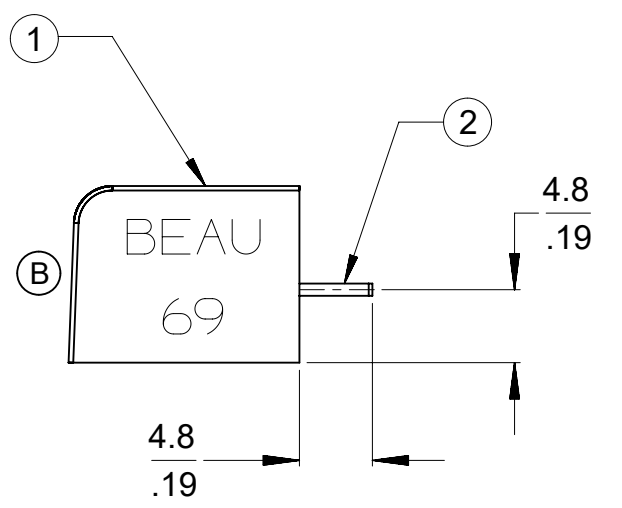
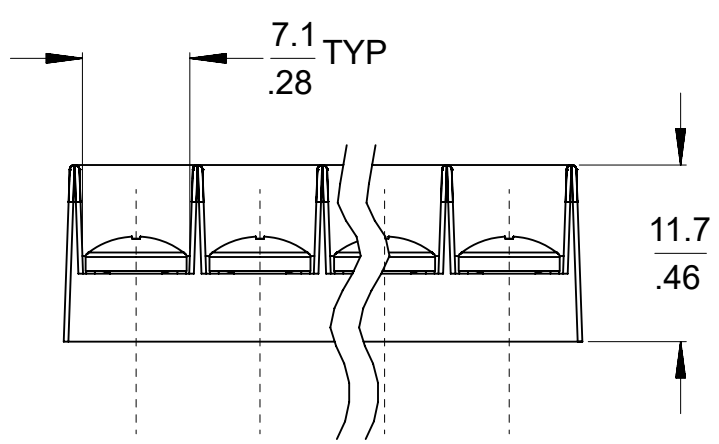
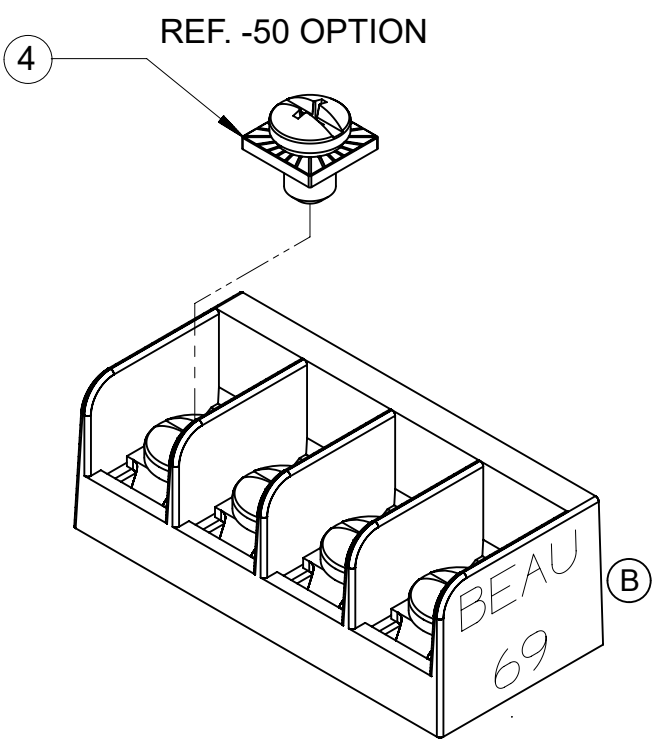
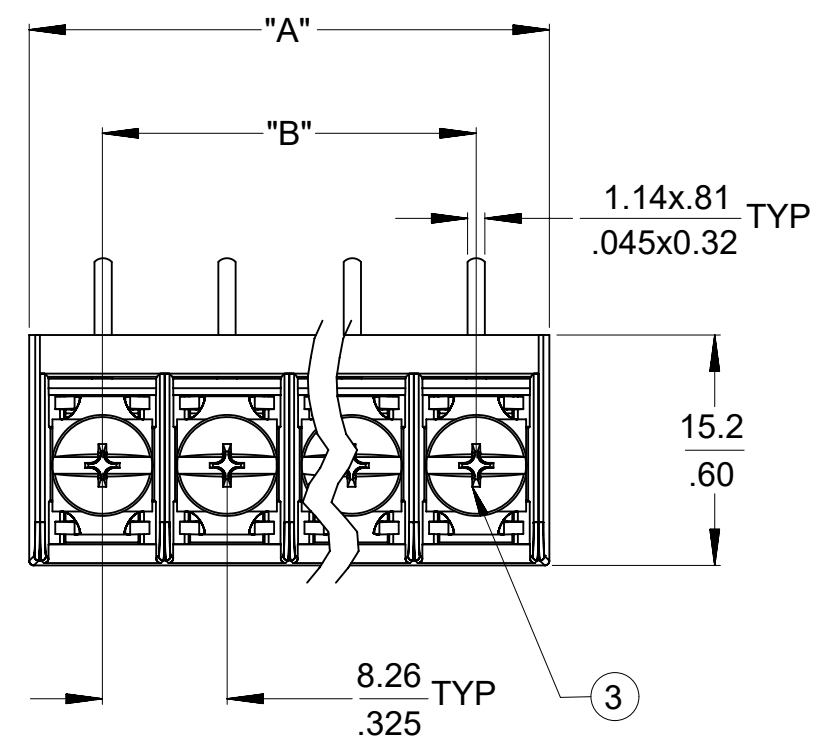


| NO. OF CIRCUITS | DIM. "A" |       | DIM. "B" |       | ASSEMBLY MATERIAL NO. (STANDARD) | ASSEMBLY MATERIAL NO. (-50 OPT) |
|-----------------|----------|-------|----------|-------|----------------------------------|---------------------------------|
|                 | mm       | in    | mm       | in    |                                  |                                 |
| 02              | 17.9     | .71   | 8.3      | .33   | 386915302                        |                                 |
| 03              | 26.2     | 1.03  | 16.5     | .65   | 386915303                        | 386915903                       |
| 04              | 34.4     | 1.36  | 24.8     | .98   | 386915304                        | 386915904                       |
| 05              | 42.7     | 1.68  | 33.0     | 1.30  | 386915305                        | 386915905                       |
| 06              | 50.9     | 2.01  | 41.3     | 1.63  | 386915306                        |                                 |
| 07              | 59.2     | 2.33  | 49.5     | 1.95  | 386915307                        | 386915907                       |
| 08              | 67.4     | 2.66  | 57.8     | 2.28  | 386915308                        | 386915908                       |
| 09              | 75.7     | 2.98  | 66.0     | 2.60  | 386915309                        | 386915909                       |
| 10              | 83.9     | 3.31  | 74.3     | 2.93  | 386915310                        | 386915910                       |
| 11              | 92.2     | 3.63  | 82.6     | 3.25  | 386915311                        | 386915911                       |
| 12              | 100.5    | 3.96  | 90.8     | 3.58  | 386915312                        | 386915912                       |
| 13              | 108.7    | 4.28  | 99.1     | 3.90  | 386915313                        | 386915913                       |
| 14              | 117.0    | 4.61  | 107.3    | 4.23  | 386915314                        | 386915914                       |
| 15              | 125.2    | 4.93  | 115.6    | 4.55  | 386915315                        | 386915915                       |
| 16              | 133.5    | 5.26  | 123.8    | 4.88  | 386915316                        | 386915916                       |
| 17              | 141.7    | 5.58  | 132.1    | 5.20  | 386915317                        | 386915917                       |
| 18              | 150.0    | 5.91  | 140.3    | 5.53  | 386915318                        | 386915918                       |
| 19              | 158.2    | 6.23  | 148.6    | 5.85  | 386915319                        | 386915919                       |
| 20              | 166.5    | 6.56  | 156.8    | 6.18  | 386915320                        | 386915920                       |
| 21              | 174.8    | 6.88  | 165.1    | 6.50  | 386915321                        | 386915921                       |
| 22              | 183.0    | 7.21  | 173.4    | 6.83  | 386915322                        | 386915922                       |
| 23              | 191.3    | 7.53  | 181.6    | 7.15  | 386915323                        | 386915923                       |
| 24              | 199.5    | 7.86  | 189.9    | 7.48  | 386915324                        | 386915924                       |
| 25              | 207.8    | 8.18  | 198.1    | 7.80  | 386915325                        | 386915925                       |
| 26              | 216.0    | 8.51  | 206.4    | 8.13  | 386915326                        | 386915926                       |
| 27              | 224.3    | 8.83  | 214.6    | 8.45  | 386915327                        | 386915927                       |
| 28              | 232.5    | 9.16  | 222.9    | 8.78  | 386915328                        | 386915928                       |
| 29              | 240.8    | 9.48  | 231.1    | 9.10  | 386915329                        | 386915929                       |
| 30              | 249.0    | 9.81  | 239.4    | 9.43  | 386915330                        | 386915930                       |
| 31              | 257.3    | 10.13 | 247.7    | 9.75  | 386915331                        | 386915931                       |
| 32              | 265.6    | 10.46 | 255.9    | 10.08 | 386915332                        | 386915932                       |

- NOTES:  
1. MATERIAL: SEE TABLE  
2. FINISHES: SEE TABLE.  
3. "XX" REFERS TO THE QUANTITY OF CIRCUITS.  
4. ROHS COMPLIANT.

| ITEM | QTY. | DESCRIPTION                                  | MATERIAL        | FINISH             |
|------|------|--|-----------------|--------------------|
| 4    | XX   | SCREW #6-32X.155 PAN PHSLZN/BR/STEEL -50 OPT | STEEL           | ZN, CLEAR CHROMATE |
| 3    | XX   | SCREW #6-32X.160 PAN PHSLNI/BRASS (STD) (B)  | BRASS           | NICKEL PLATE       |
| 2    | XX   | TERMINAL, PC                                 | BRASS           | TIN PLATE          |
| 1    | 1    | INSULATOR                                    | POLYESTER (PBT) | BLACK              |

|                 |    |              |            |          |
|-----------------|----|--------------|------------|----------|
| DOCUMENT STATUS | P1 | RELEASE DATE | 2021/08/06 | 10:25:56 |
|-----------------|----|--------------|------------|----------|



THIS DRAWING CONTAINS INFORMATION THAT IS PROPRIETARY TO MOLEX ELECTRONIC TECHNOLOGIES, LLC AND SHOULD NOT BE USED WITHOUT WRITTEN PERMISSION

|  |                        |   |                          |                |          |
|--|------------------------|---|--------------------------|----------------|----------|
| DIMENSION UNITS<br><b>MM/IN</b>                      | SCALE<br><b>2:1</b>    | CURRENT REV DESC: OBSOLETE PART NUMBERS AS PER PCN 508518 | <b>molex</b>             |                |          |
| GENERAL TOLERANCES (UNLESS SPECIFIED)                |                        |   |                          |                |          |
| 4 PLACES ±   | ±                      | EC NO: 671087   | PRODUCT CUSTOMER DRAWING |                |          |
| 3 PLACES ±   | ± 0.005                | DRWN: RPRABHUM 2021/05/31                                 | DOCUMENT NUMBER          |                |          |
| 2 PLACES ±   | ± 0.13                 | CHK'D: GGA 2021/08/06                                     | SD-38691-003             |                |          |
| 1 PLACE ±  | ± 0.3                  | APPR: GGA 2021/08/06                                      | DOC TYPE                 | DOC PART       | REVISION |
| 0 PLACES ±   | ±                      | INITIAL REVISION:   | PSD                      | 001            | C        |
| ANGULAR TOL ± 2.0°                                   |                        | DRWN: AHIDALGO 2007/04/02                                 | MATERIAL NUMBER          |                |          |
|  |                        | APPR: JMACNEIL 2007/04/02                                 | CUSTOMER                 |                |          |
| DRAFT WHERE APPLICABLE MUST REMAIN WITHIN DIMENSIONS | THIRD ANGLE PROJECTION | DRAWING   | SERIES                   | SHEET NUMBER   |          |
|  |                        | B-SIZE  | 38691                    | SEE CHART      | 1 OF 1   |
|  |                        |   |                          | GENERAL MARKET |          |