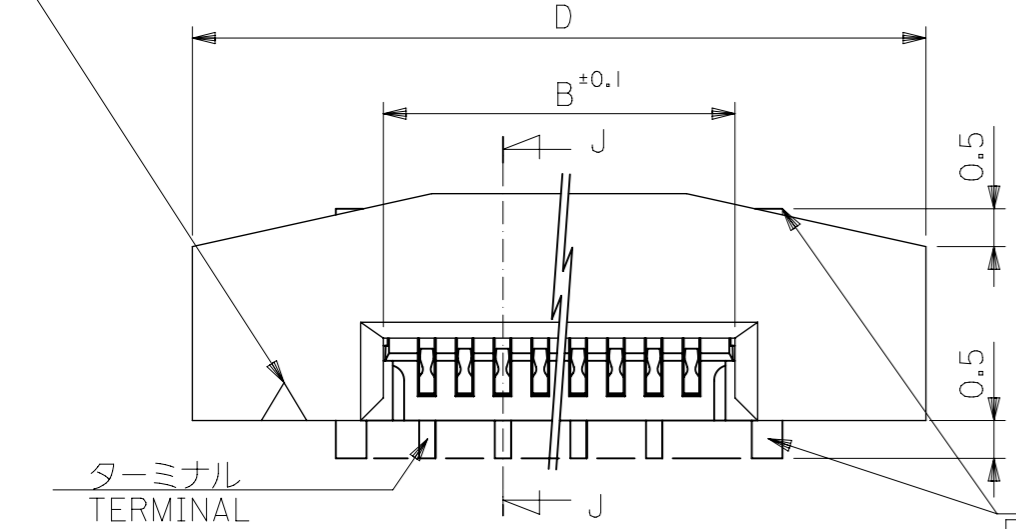
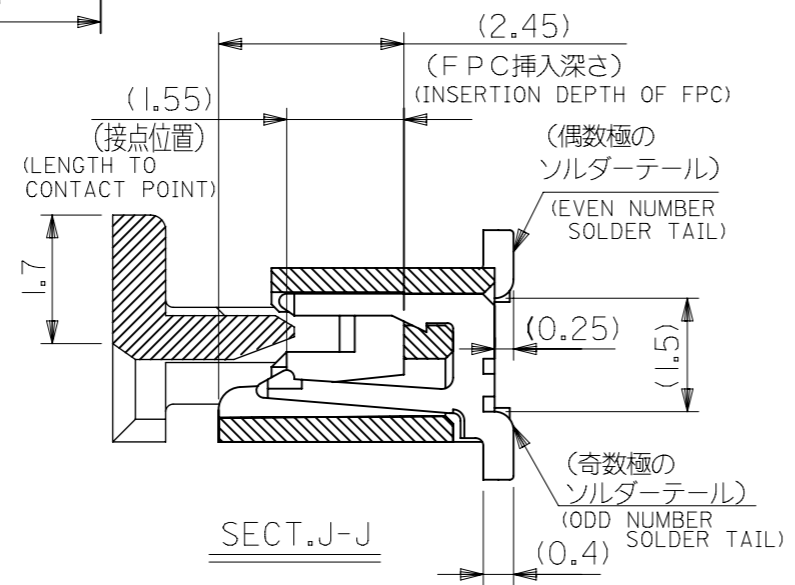
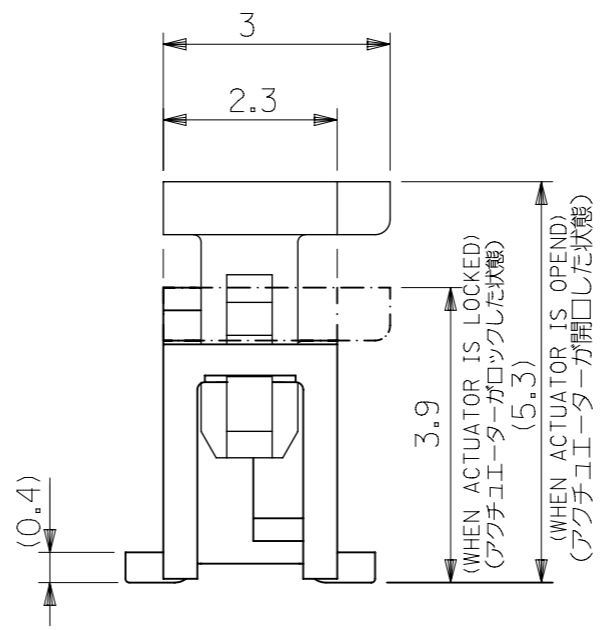
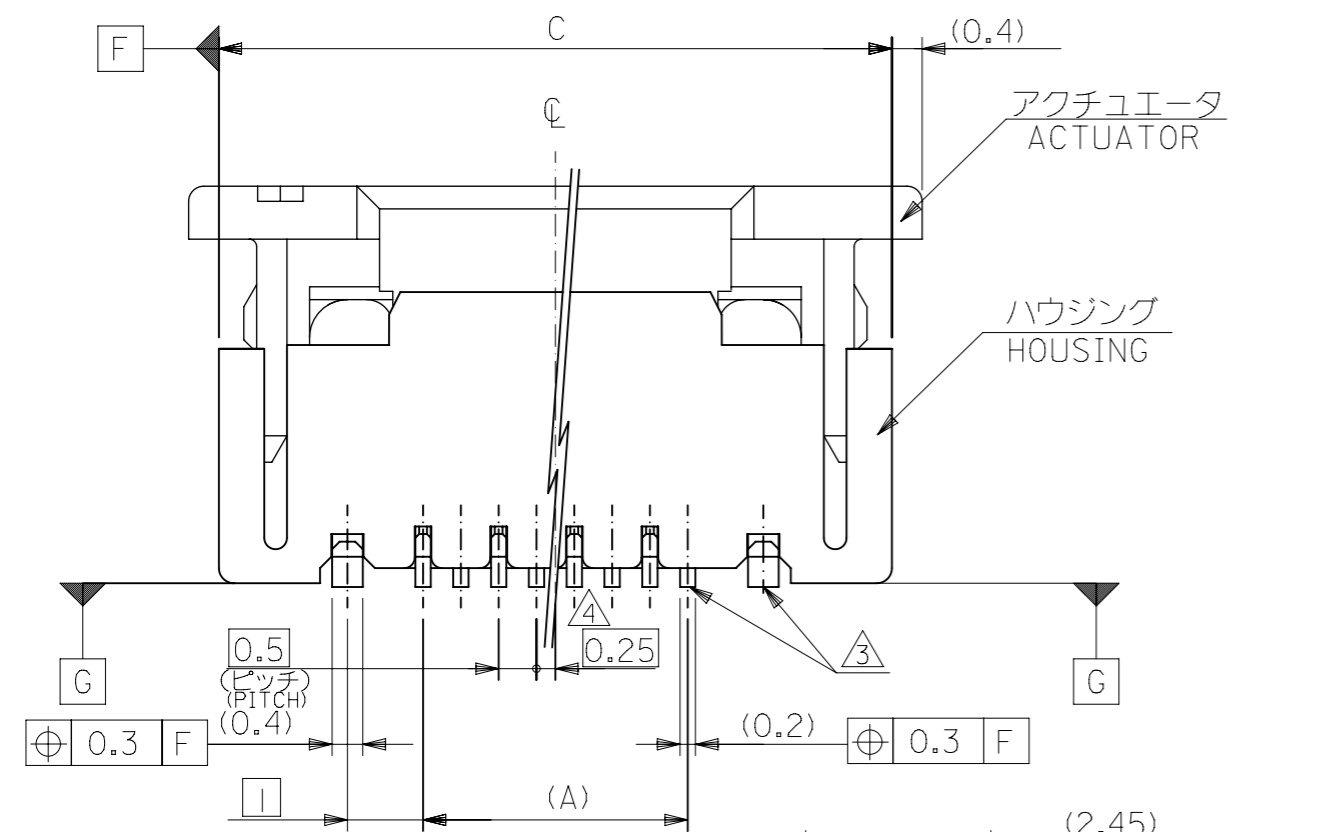


回路番号1用マーク
CIRCUIT NO.1 MARK



- 1.使用材料 MATERIAL
 ハウジング : 46ナイロン、UL94V-0
 HOUSING : PA46, UL94V-0
 アクチュエータ : ポリフェニレンサルファイド (PPS)、UL94V-0
 ACTUATOR : PPS, UL94V-0
 ターミナル : リン青銅(t=0.2) PHOS-BRO(t=0.2)
 : 接点部 金メッキ 0.1マイクロメートル以上
 CONTACT GOLD 0.1 MICROMETER MINIMUM
 : 半田付け部 錫メッキ 1.0マイクロメートル以上
 TAIL TIN 1.0 MICROMETER MINIMUM
 : ニッケル下地 1.0マイクロメートル以上
 NICKEL(UNDER PLATING) 1.0 MICROMETER MINIMUM
 : リン青銅(t=0.4) PHOS-BRO(t=0.4)
 : 錫メッキ 1.0マイクロメートル以上
 TIN 1.0 MICROMETER MINIMUM
 : ニッケル下地 1.0マイクロメートル以上
 NICKEL(UNDER PLATING) 1.0 MICROMETER MINIMUM

- 2.エンボステープ梱包時はアクチュエータがロックした状態とする。
 IN THE PACKAGE, ACTUATOR OF PART NO.52559-**-79 SHOULD BE LOCKED.
 3.ソルダーテール半田付け面のズレ量、および金具半田付け面のズレ量は基準面 G に対し上方向 0.05MAXIMUM、下方向 0.15MAXIMUMとする。
 MISALIGNMENT OF SOLDER TAILS AND FITTING NAILS FROM DATUM-G UPPER DIRECTION : 0.05MAXIMUM, LOWER DIRECTION : 0.15 MAXIMUM.
 4.偶数極に適用。
 APPLY FOR EVEN CIRCUIT.
 5.パターンはく離止め金具。
 FITTING NAIL FOR PREVENTION OF PEELING OF P.W.BOARD PATTERN.
 6.R0.3は、FPCの導体部にかからないこと
 R0.3 MUST NOT BE OVERLAPPED TO PATTERN OF FPC.



25.7	24.9	20.65	19.5	52559-4079	40
23.7	22.9	18.65	17.5	52559-3679	36
22.2	21.4	17.15	16.0	52559-3379	33
21.7	20.9	16.65	15.5	52559-3279	32
20.7	19.9	15.65	14.5	52559-3079	30
19.7	18.9	14.65	13.5	52559-2879	28
19.2	18.4	14.15	13.0	52559-2779	27
18.7	17.9	13.65	12.5	52559-2679	26
18.2	17.4	13.15	12.0	52559-2579	25
17.7	16.9	12.65	11.5	52559-2479	24
17.2	16.4	12.15	11.0	52559-2379	23
16.7	15.9	11.65	10.5	52559-2279	22
16.2	15.4	11.15	10.0	52559-2179	21
15.7	14.9	10.65	9.5	52559-2079	20
14.7	13.9	9.65	8.5	52559-1879	18
14.2	13.4	9.15	8.0	52559-1779	17
13.7	12.9	8.65	7.5	52559-1679	16
13.2	12.4	8.15	7.0	52559-1579	15
12.7	11.9	7.65	6.5	52559-1479	14
12.2	11.4	7.15	6.0	52559-1379	13
11.7	10.9	6.65	5.5	52559-1279	12
10.7	9.9	5.65	4.5	52559-1079	10
10.2	9.4	5.15	4.0	52559-0979	9
9.7	8.9	4.65	3.5	52559-0879	8
8.7	7.9	3.65	2.5	52559-0679	6
D	C	B	(A)	CONNECTOR SERIES NO.	極数 CKT.

ORDER NO. 52559-**52/-**53/-**54/-**56

GENERAL TOLERANCES (UNLESS SPECIFIED)	
10 UNDER	± 0.2
10 OVER 30 UNDER	± 0.25
30 OVER	± 0.3
ANGULAR ± 3°	
DRAFT WHERE APPLICABLE MUST REMAIN WITHIN DIMENSIONS	

THIS DRAWING CONTAINS INFORMATION THAT IS PROPRIETARY TO MOLEX ELECTRONIC TECHNOLOGIES, LLC AND SHOULD NOT BE USED WITHOUT WRITTEN PERMISSION

DIMENSION UNITS	SCALE	CURRENT REV DESC:	
mm	10:1	EC NO: 600082	
GENERAL TOLERANCES (UNLESS SPECIFIED)		DRWN: YCHEN128	2018/03/02
ANGULAR TOL	± 3.0°	CHK'D: KTAKAHASHI	2018/03/14
4 PLACES	± 0.2	APPR: NUKITA	2018/03/14
3 PLACES	± 0.25	INITIAL REVISION:	
2 PLACES	± 0.3	DRWN: MNABEI	2004/07/14
1 PLACE	±	APPR: NUKITA	2004/07/14
0 PLACES	±	THIRD ANGLE PROJECTION	
DRAFT WHERE APPLICABLE MUST REMAIN WITHIN DIMENSIONS		DRAWING	SERIES
		A3-SIZE	52559

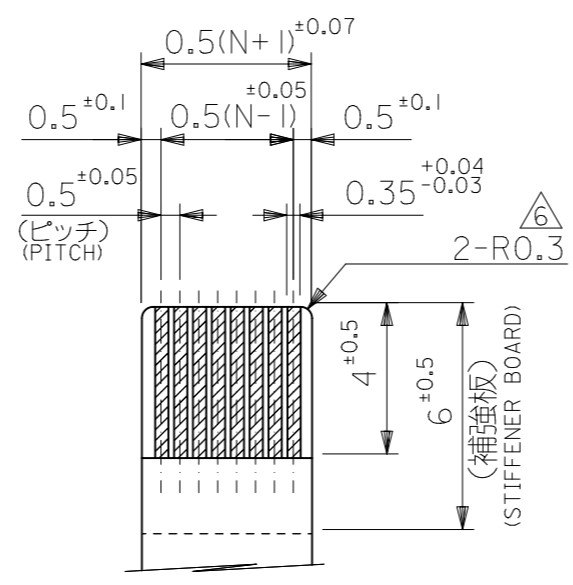
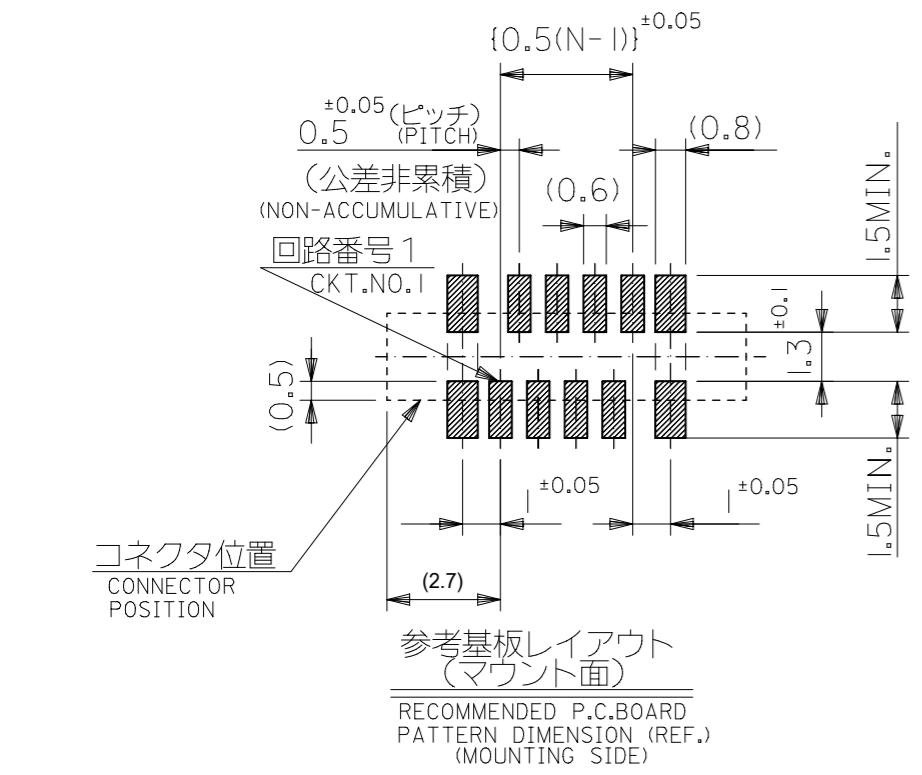
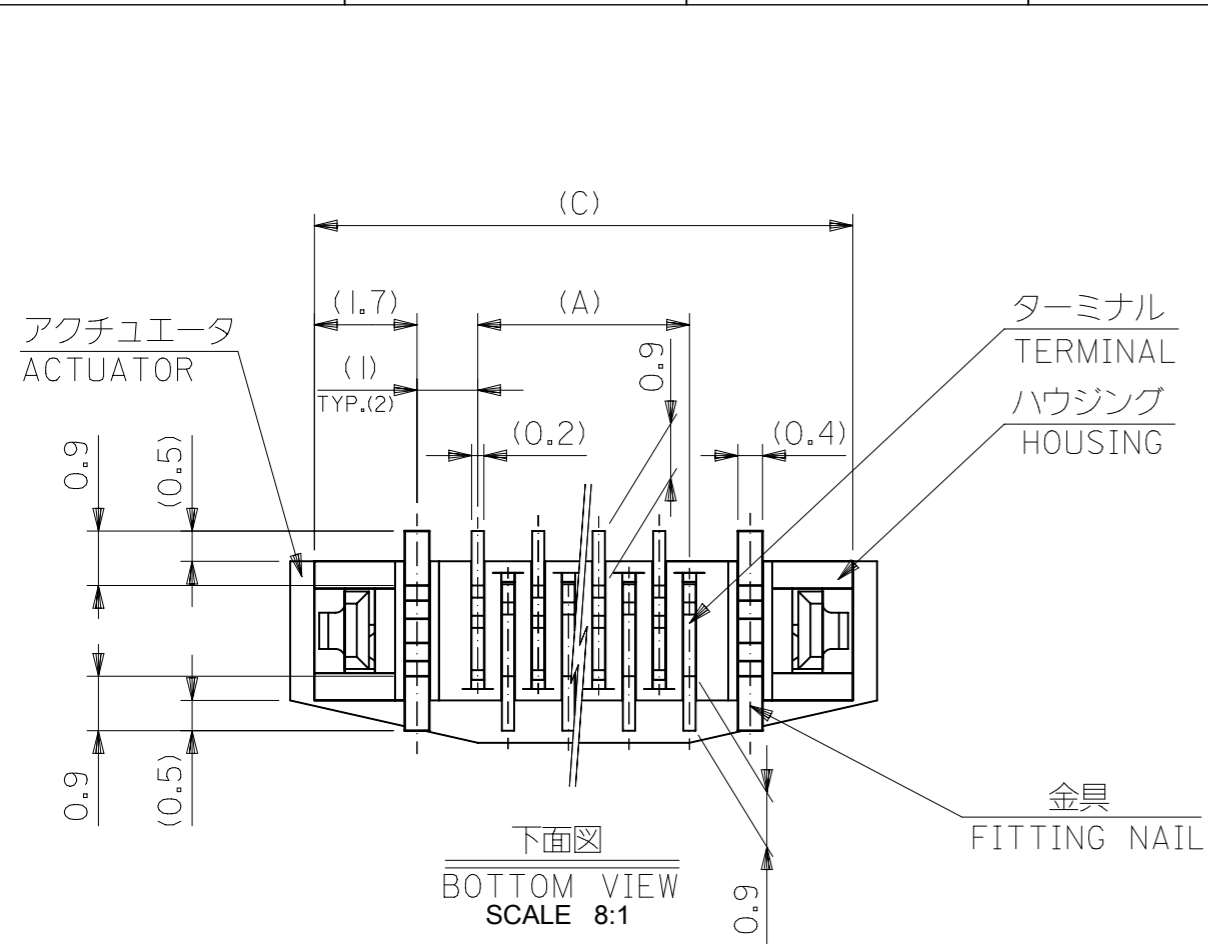
molex

0.5 FPC CONN ASSY ZIF. -LEAD FREE-

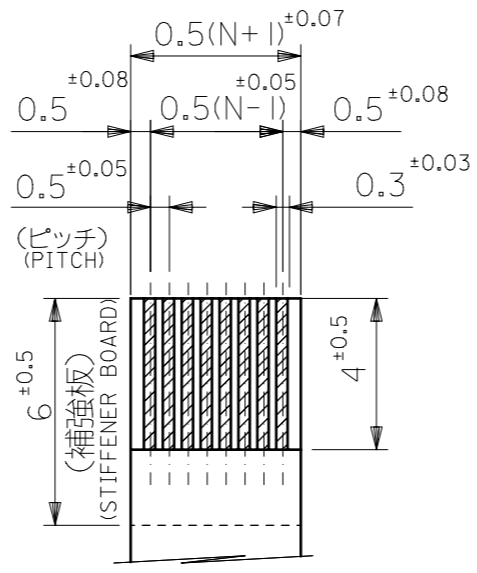
PRODUCT CUSTOMER DRAWING

DOCUMENT NUMBER	DOC TYPE	DOC PART	REVISION
SD-52559-048	PSD	001	E

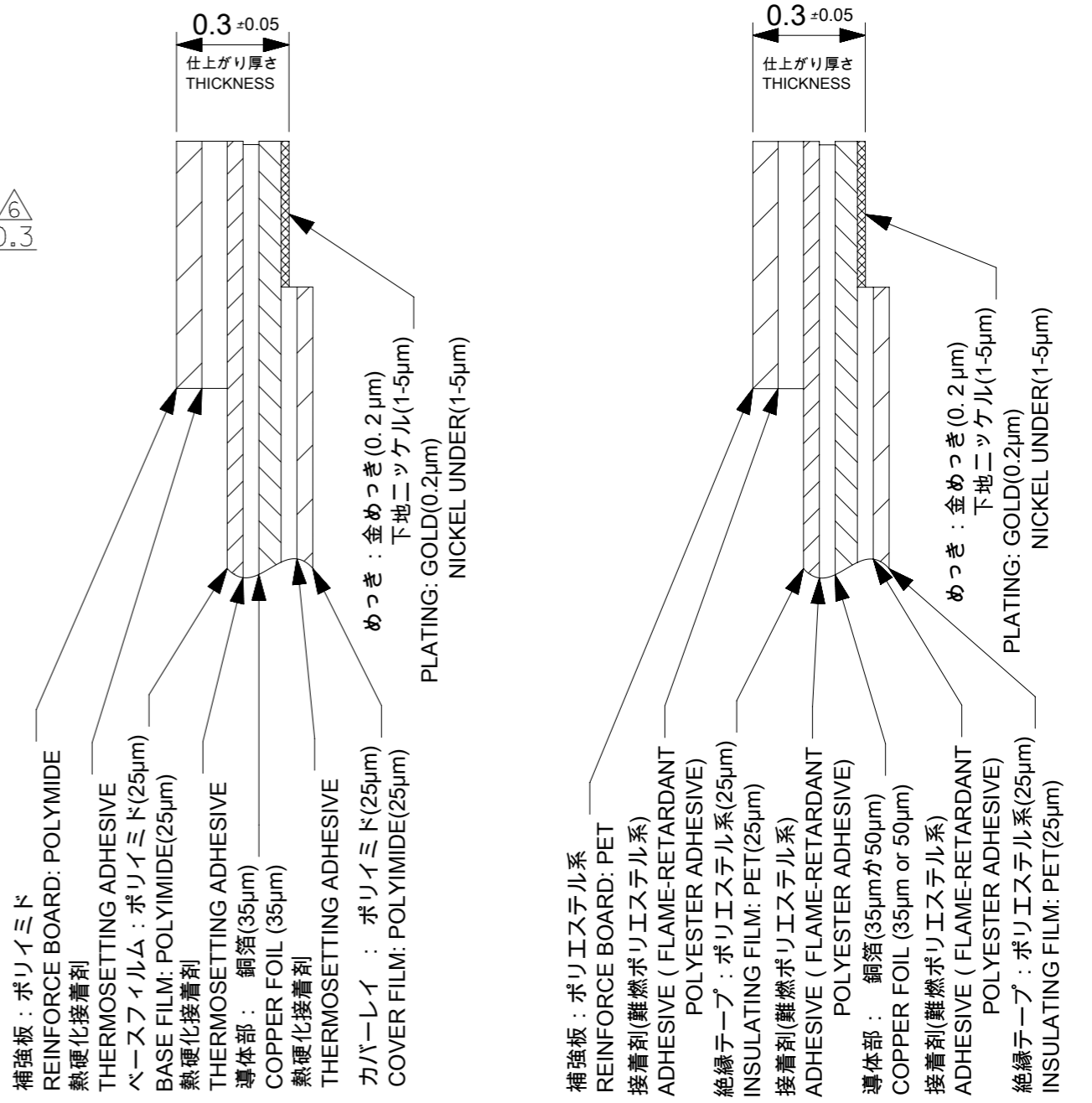
MATERIAL NUMBER	CUSTOMER	SHEET NUMBER
SEE TABLE	GENERAL MARKET	1 OF 2



適合FPC推奨寸法
 APPLICABLE FPC
 RECOMMENDED DIMENSION.
 (仕上がり厚さ: 0.3^{±0.05})
 (THICKNESS: 0.3^{±0.05})



適合FFC推奨寸法
 APPLICABLE FFC
 RECOMMENDED DIMENSION.
 (仕上がり厚さ: 0.3^{±0.05})
 (THICKNESS: 0.3^{±0.05})



FPC構成推奨仕様 STRUCTURE OF FPC
 FFC構成推奨仕様 STRUCTURE OF FFC

FPCについて:
 打抜き方向は導体側から補強板側を推奨致します。
 補強フィルム材質はポリイミドを推奨致します。
 接着剤は熱硬化接着剤を推奨致します。

ABOUT FPC :
 RECOMMENDED PUNCHER DIRECTION : FROM CONDUCTOR SIDE TO STIFFENER BOARD SIDE.
 RECOMMENDED MATERIAL :
 STIFFENER FILM : POLYIMIDE
 BONDING AGENT : THERMOSETTING BONDING AGENT

GENERAL TOLERANCES (UNLESS SPECIFIED)	
10 UNDER	± 0.2
10 OVER 30 UNDER	± 0.25
30 OVER	± 0.3
ANGULAR ± 3 °	
DRAFT WHERE APPLICABLE MUST REMAIN WITHIN DIMENSIONS	

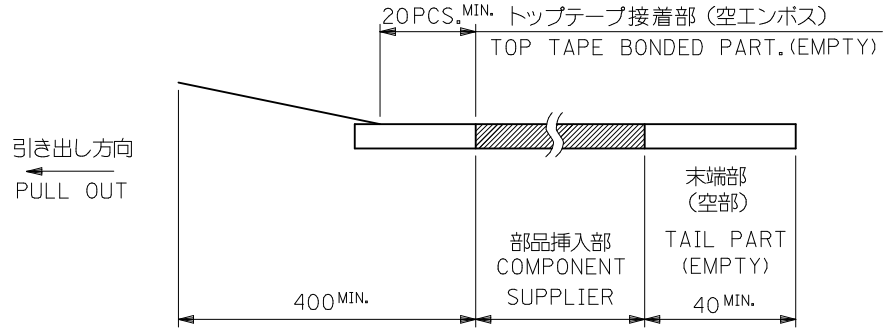
THIS DRAWING CONTAINS INFORMATION THAT IS PROPRIETARY TO MOLEX ELECTRONIC TECHNOLOGIES, LLC AND SHOULD NOT BE USED WITHOUT WRITTEN PERMISSION		CURRENT REV DESC:		molex	
DIMENSION UNITS	SCALE				
mm	5:1			0.5 FPC CONN ASSY ZIF. -LEAD FREE-	
GENERAL TOLERANCES (UNLESS SPECIFIED)		EC NO: 600082		PRODUCT CUSTOMER DRAWING	
ANGULAR TOL ± 30 °		DRWN: YCHEN128 2018/03/02		DOCUMENT NUMBER	
4 PLACES ± 0.2		CHK'D: KTAKAHASHI 2018/03/14		DOC TYPE DOC PART REVISION	
3 PLACES ± 0.25		APPR: NUKITA 2018/03/14		SD-52559-048 PSD 001 E	
2 PLACES ± 0.3		INITIAL REVISION:		MATERIAL NUMBER	
1 PLACE ±		DRWN: MNABEI 2004/07/14		CUSTOMER	
0 PLACES ±		APPR: NUKITA 2004/07/14		GENERAL MARKET	
DRAFT WHERE APPLICABLE MUST REMAIN WITHIN DIMENSIONS		THIRD ANGLE PROJECTION	DRAWING	SERIES	SHEET NUMBER
		⊕	A3-SIZE	52559	2 OF 2

注記 NOTES

1. 製品番号52559-**79の梱包状態はアクチュエータがロックした状態とする。
 詳細寸法については、図面 SD-52559-048を参照下さい。
 IN THE PACKAGE, ACTUATOR OF PART NO.52559-**79 SHOULD BE LOCKED.
 REFFER DETAILED DIMENSIONS, SEE SD-52559-048

2. 梱包数量:1000/リール
 THE NUMBER OF PAKAGED CONNECTORS : 1000 PIECES/REEL

3. リードテープ長さ LEAD TAPE LENGTH

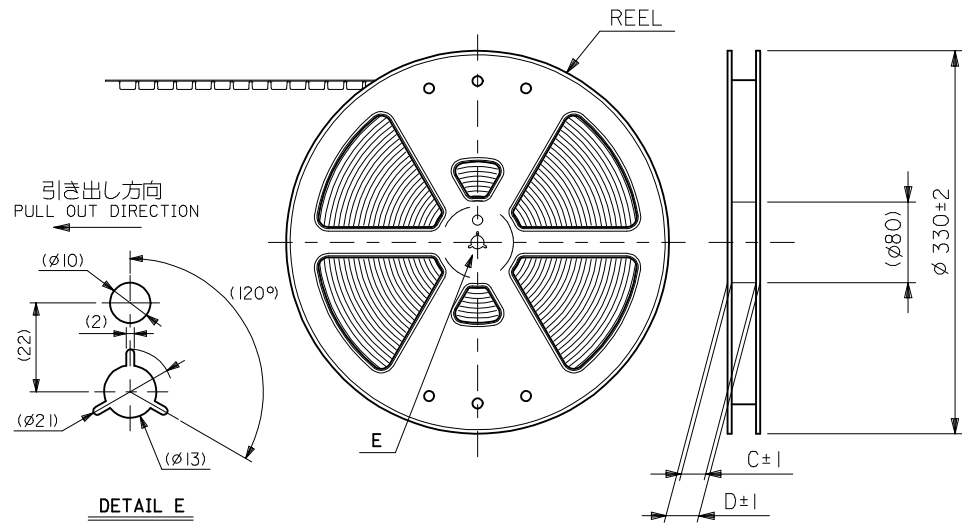


4. 材料
 キャリアテープ: ポリアプロピレン(PP)
 トップテープ: PET, PE, PEF
 リール: ポリスチレン(PS) <リサイクル材を含む>

MATERIAL CARRIER TAPE:POLYPROPYLENE
 TOP TAPE:PET,PE,PEF
 REEL:POLYSTYRENE (PS)
 <RECYCLE MATERIAL CONTAINED>

5. 本製品は52559-**52の梱包違い品である。(シリカゲル入り、ハイバリア梱包対応)
 THIS PRODUCT IS PACKAGING DIFERNCE OF 52559-**52.
 (HIGH-BARRIER PACKAGE INCLUDING SILICAGEL)

6. ELV AND RoHS COMPLIANT.



REVISED EC NO: J2013-0962 DRWN:TMORISHITA 2013/03/01 CHKD:KTAHASHI 2013/03/01 APPR:KMORIKAWA 2013/03/26	DESCRIPTION REV	GENERAL TOLERANCES (UNLESS SPECIFIED)		DIMENSION STYLE MM ONLY		SCALE ---	DESIGN UNITS METRIC	THIRD ANGLE PROJECTION		
		10 UNDER	±0.2	DRAWN BY T.KON	DATE 2007/11/20	TITLE 0.5 FPC CONN ASSY ZIF SMT ST EMBSTP PKG -HIGH BARRIER PACKAGE-				
		10 OVER 30 UNDER	±0.25	CHECKED BY H.MATSUMOTO	DATE 2007/11/20					
		30 OVER	±0.3	APPROVED BY N.UKITA	DATE 2007/11/20					
ANGULAR ±3 °		DRAFT WHERE APPLICABLE MUST REMAIN WITHIN DIMENSIONS		MATERIAL NO. SEE CHART		DOCUMENT NO. SD-52559-053		SHEET NO. 1 OF 4		
SIZE A3		THIS DRAWING CONTAINS INFORMATION THAT IS PROPRIETARY TO MOLEX INCORPORATED AND SHOULD NOT BE USED WITHOUT WRITTEN PERMISSION								

F

E

D

C

B

A

F

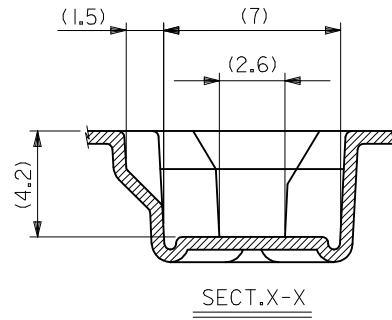
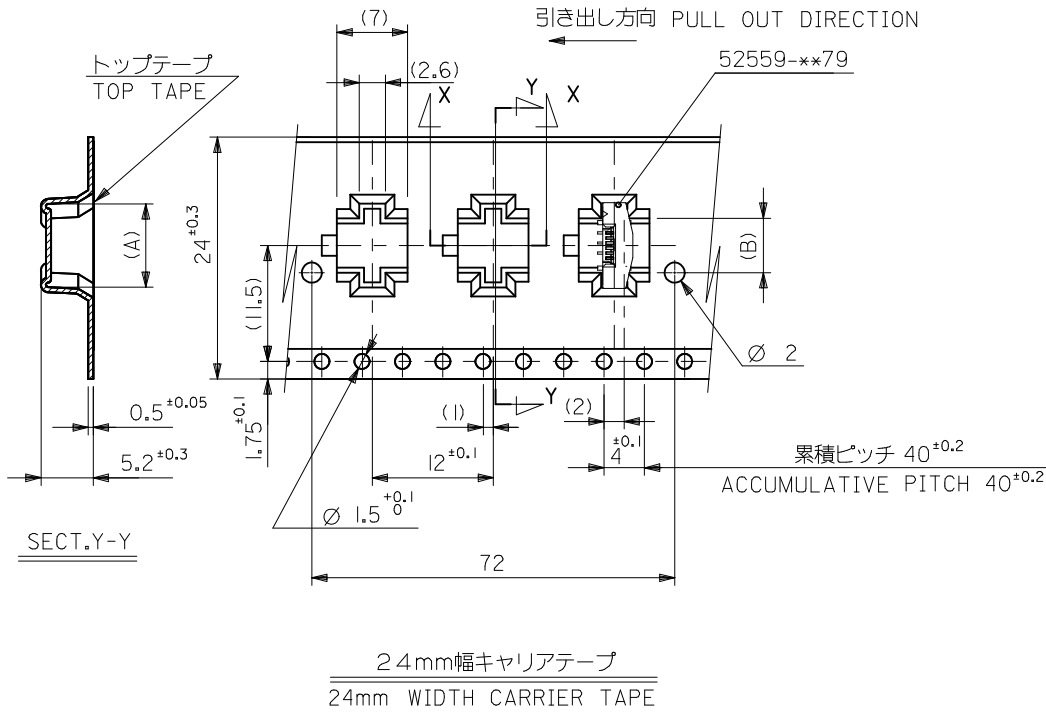
E

D

C

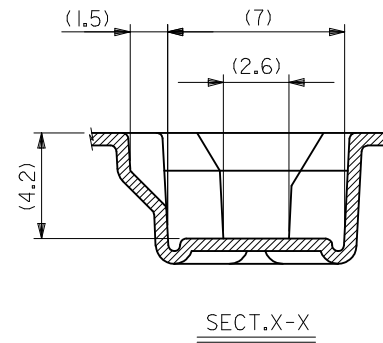
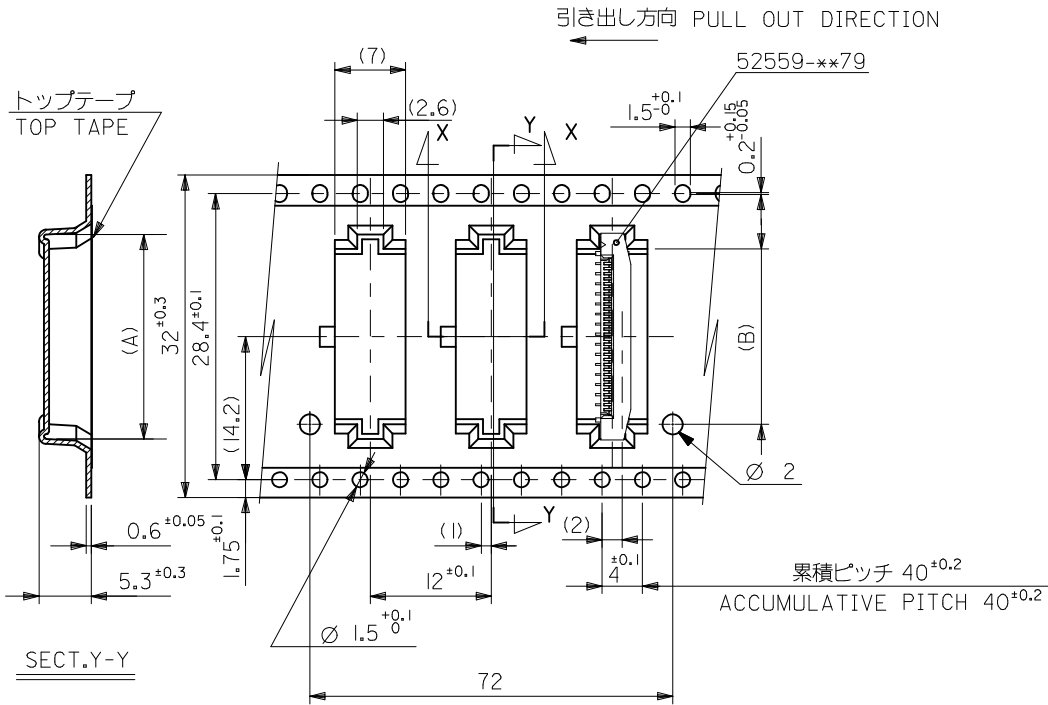
B

A



24	29.4	25.4	14.4	17.3	52559-2454	24		
			13.9	16.8	52559-2354	23		
			12.9	15.8	52559-2154	21		
			12.4	15.3	52559-2054	20		
			10.9	13.8	52559-1754	17		
			10.4	13.3	52559-1654	16		
			9.9	12.8	52559-1554	15		
			9.4	12.3	52559-1454	14		
			8.4	11.3	52559-1254	12		
			7.4	10.3	52559-1054	10		
6.9	9.8	52559-0954	9					
5.4	8.3	52559-0654	6					
キャリアテープ幅 CARRIER TAPE WIDTH			D	C	(B)	(A)	MATERIAL NO.	CIRCUIT NO.

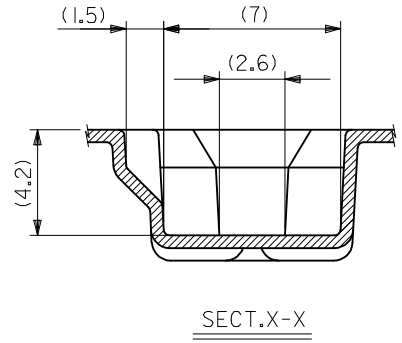
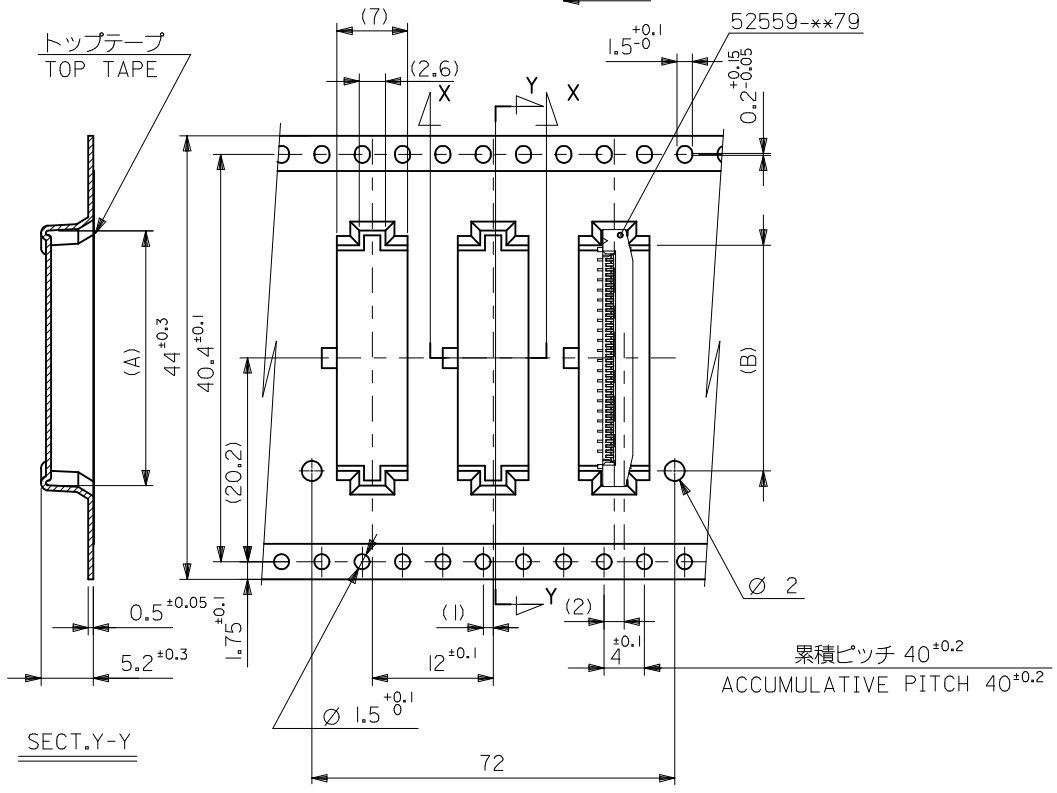
REVISED EC NO: J2013-0962 DRWN: TMORISHITA 2013/03/01 CHKD: TAKAHASHI 2013/03/01 APPR: KMORIKAWA 2013/03/26	DESCRIPTION REV	GENERAL TOLERANCES (UNLESS SPECIFIED)		DIMENSION STYLE MM ONLY		SCALE ---		DESIGN UNITS METRIC		THIRD ANGLE PROJECTION		
		10 UNDER	±0.2	DRAWN BY T.KON	DATE 2007/11/20	TITLE 0.5 FPC CONN ASSY ZIF SMT ST EMBSTP PKG -HIGH BARRIER PACKAGE-						
		10 OVER 30 UNDER	±0.25	CHECKED BY H.MATSUMOTO	DATE 2007/11/20							
		30 OVER	±0.3	APPROVED BY N.UKITA	DATE 2007/11/20							
ANGULAR ±3 °		DRAFT WHERE APPLICABLE MUST REMAIN WITHIN DIMENSIONS		MATERIAL NO. SEE CHART		DOCUMENT NO. SD-52559-053		SHEET NO. 2 OF 4				
THIS DRAWING CONTAINS INFORMATION THAT IS PROPRIETARY TO MOLEX INCORPORATED AND SHOULD NOT BE USED WITHOUT WRITTEN PERMISSION												



32	37.4	33.4	18.4	21.3	52559-3254	32
			17.4	20.3	52559-3054	30
			16.4	19.3	52559-2854	28
			15.9	18.8	52559-2754	27
			15.4	18.3	52559-2654	26
キャリアテープ幅 CARRIER TAPE WIDTH	D	C	(B)	(A)	MATERIAL NO.	CIRCUIT NO.

REVISED EC NO: J2013-0962 DRWN: TMORISHITA 2013/03/07 CHKD: TAKAHASHI 2013/03/07 APPR: KMORIKAWA 2013/03/26	DESCRIPTION	GENERAL TOLERANCES (UNLESS SPECIFIED)		DIMENSION STYLE	SCALE	DESIGN UNITS	THIRD ANGLE PROJECTION	
				MM ONLY	---	METRIC		
		10 UNDER	± 0.2	DRAWN BY	DATE	TITLE		
		10 OVER 30 UNDER	± 0.25	T.KON	2007/11/20	0.5 FPC CONN ASSY ZIF SMT ST EMBSTP PKG -HIGH BARRIER PACKAGE-		
		30 OVER	± 0.3	CHECKED BY	DATE			
		H.MATSUMOTO	2007/11/20					
		APPROVED BY	DATE					
		N.UKITA	2007/11/20	MATERIAL NO.	DOCUMENT NO.	SHEET NO.		
		ANGULAR $\pm 3^\circ$		SEE CHART	SD-52559-053	3 OF 4		
		DRAFT WHERE APPLICABLE MUST REMAIN WITHIN DIMENSIONS		SIZE	THIS DRAWING CONTAINS INFORMATION THAT IS PROPRIETARY TO MOLEX INCORPORATED AND SHOULD NOT BE USED WITHOUT WRITTEN PERMISSION			
A	REV			A3				

引き出し方向 PULL OUT DIRECTION



44mm幅キャリアテープ
44mm WIDTH CARRIER TAPE

44	49.4	45.4	22.4	25.3	52559-4054	40
キャリアテープ幅 CARRIER TAPE WIDTH	D	C	(B)	(A)	52559-3654	36
					MATERIAL NO.	CIRCUIT NO.

REVISED EC NO.: J2013-0962 DRWN: TMORISHITA 2013/03/07 CHKD: KTAKAHASHI 2013/03/07 APPR: KMORIKAWA 2013/03/26	GENERAL TOLERANCES (UNLESS SPECIFIED)		DIMENSION STYLE	SCALE	DESIGN UNITS	THIRD ANGLE PROJECTION
			MM ONLY	---	METRIC	☉ □
	10 UNDER	±0.2	DRAWN BY	DATE	TITLE	
	10 OVER 30 UNDER	±0.25	T. KON	2007/11/20	0.5 FPC CONN ASSY ZIF SMT ST EMBSTP PKG -HIGH BARRIER PACKAGE-	
30 OVER	±0.3	CHECKED BY	DATE	APPROVED BY		molex DOCUMENT NO. SD-52559-053 SHEET NO. 4 OF 4
ANGULAR ±3 °		H. MATSUMOTO	2007/11/20	N. UKITA 2007/11/20		
DRAFT WHERE APPLICABLE MUST REMAIN WITHIN DIMENSIONS		MATERIAL NO.		SEE CHART		
		SIZE A3		THIS DRAWING CONTAINS INFORMATION THAT IS PROPRIETARY TO MOLEX INCORPORATED AND SHOULD NOT BE USED WITHOUT WRITTEN PERMISSION		