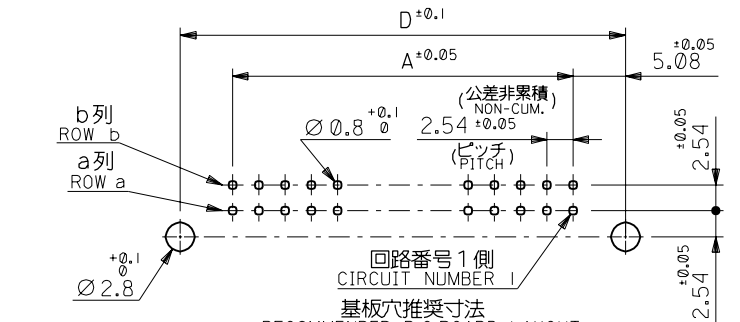
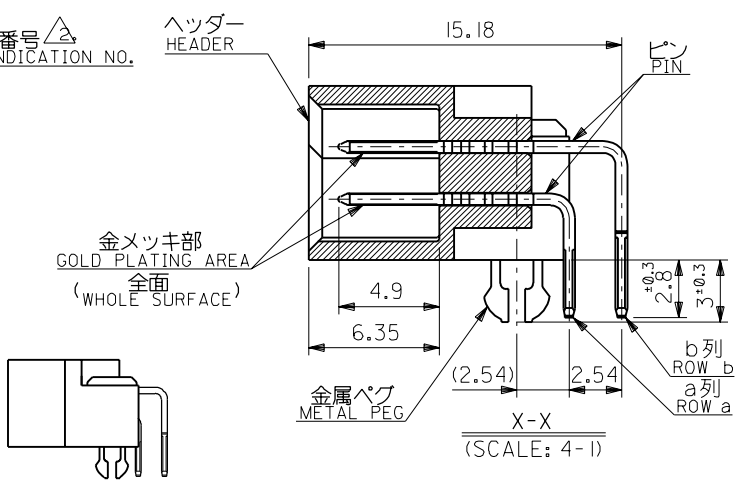
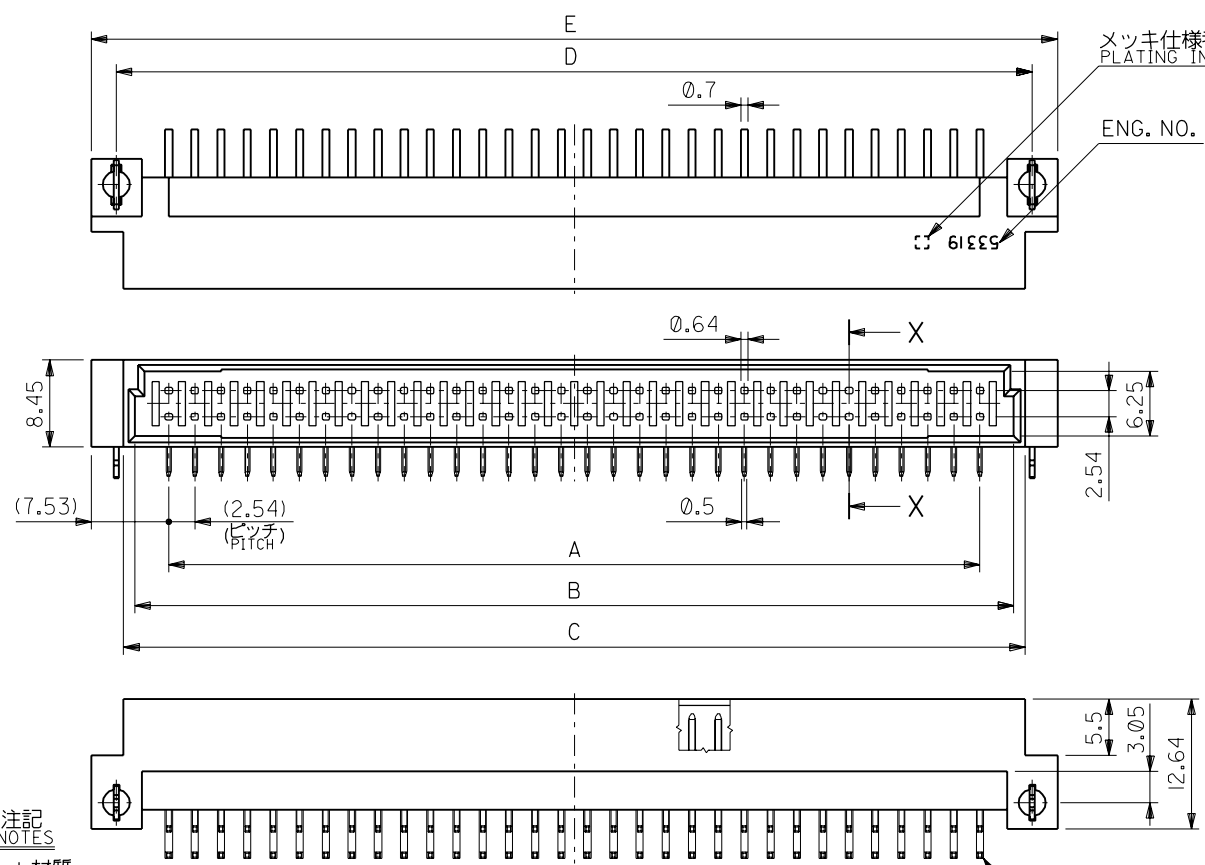


DWG. NO. SD-53319-****



注記 NOTES

I. 材質 MATERIAL
 ヘッダー : ガラス入り P.B.T.P (白色), UL94V-0
 HEADER : GLASS FILLED PBTP (WHITE), UL94V-0
 ピン : 黄銅 (t=0.58)
 PIN : BRASS (t=0.58)
 金属ペグ : リン青銅、銅下地半田メッキ (t=0.48)
 METAL PEG : PHOSPHOR BRONZE (t=0.48), TIN-LEAD OVER COPPER PLATING

メッキ仕様及び仕様番号 PLATING AND PLATING INDICATION NUMBER

53319-***3	0.76	1.0	1.0	3
53319-***2	0.5			2
53319-***1	0.3			1
53319-***0	0.1			0
ENG. NO.	接点部 金メッキ [μm以上]	半田付け部 半田メッキ [μm以上]	下地メッキ ニッケルメッキ [μm以上]	メッキ 仕様番号 PLATING INDICATION NUMBER
	CONTACT AREA GOLD PLATING [μmMIN.]	SOLDER AREA TIN-LEAD PLATING [μmMIN.]	UNDER PLATE NICKEL PLATING [μmMIN.]	

3. 嵌合相手 : 52299, 52385, 52479, 52482 シリーズ
 MATES WITH : 52299, 52385, 52479, 52482 SERIES

93.8	88.9	87.5	85.3	78.74	53319-064*	64
76.02	71.12	69.72	67.52	60.96	-050*	50
68.4	63.5	62.1	59.9	53.34	-044*	44
53.16	48.26	46.86	44.66	38.1	-032*	32
45.54	40.64	39.24	37.04	30.48	-026*	26
37.92	33.02	31.62	29.42	22.86	-020*	20
32.84	27.94	26.54	24.34	17.78	-016*	16
25.22	20.32	18.92	16.72	10.16	53319-010*	10
E	D	C	B	A	ENG. NO.	極致 CIRCUIT

角度 ANGLE	±3°	変更 (T50020)	S.M.S.	95/01/13	材料 MATERIAL	注記参照 SEE NOTES
30°以上 OVER	+0.3	変更 (J10956)	T.H.H.	91/11/07	仕上げ FINISH	注記参照 SEE NOTES
10°以上 OVER 30° UNDER	+0.25	変更 (J01197)	H.H.Y.	91/02/28	適用電線範囲 WIRE RANGE	—
10° UNDER	+0.2	新規作成 RELEASED (J00922)	S.M.H.H.	90/08/27	被覆外径 INS. RANGE	—
一般公差 GENERAL TOLERANCES	0	記号 LTR	変更内容 REVISION RECORD	日付 DATE	DRAWN BY 90/8/27 CHK'D BY S.MOCHIZUKI H. Saito	APP'D BY (Signature) 尺度 SCALE 2 - 1

材料 MATERIAL

注記参照 SEE NOTES

適用電線範囲 WIRE RANGE

被覆外径 INS. RANGE

DRAWN BY 90/8/27 CHK'D BY S.MOCHIZUKI H. Saito

APP'D BY (Signature) 尺度 SCALE 2 - 1

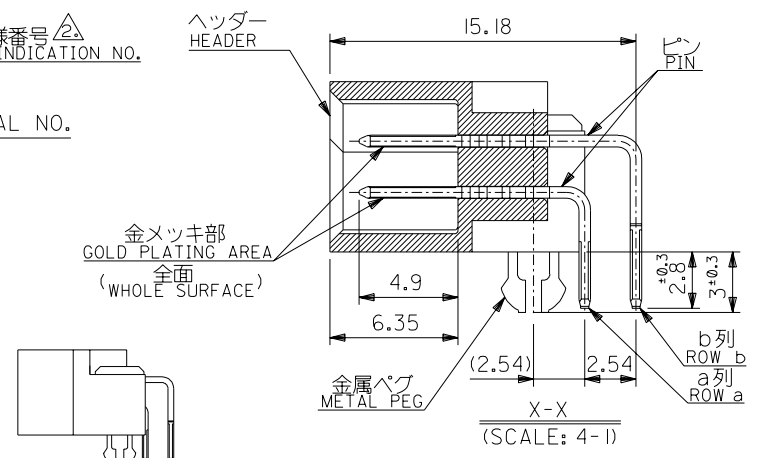
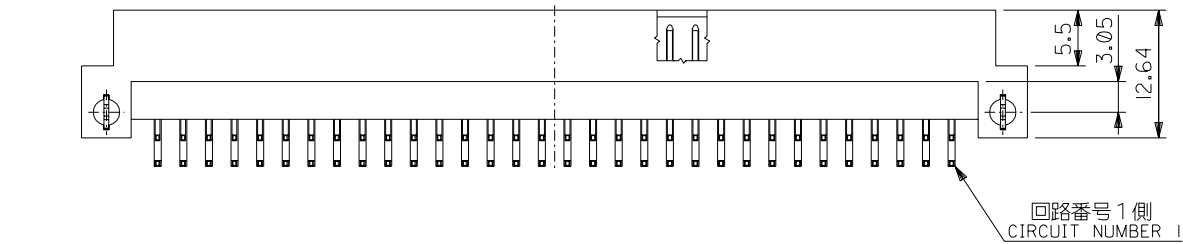
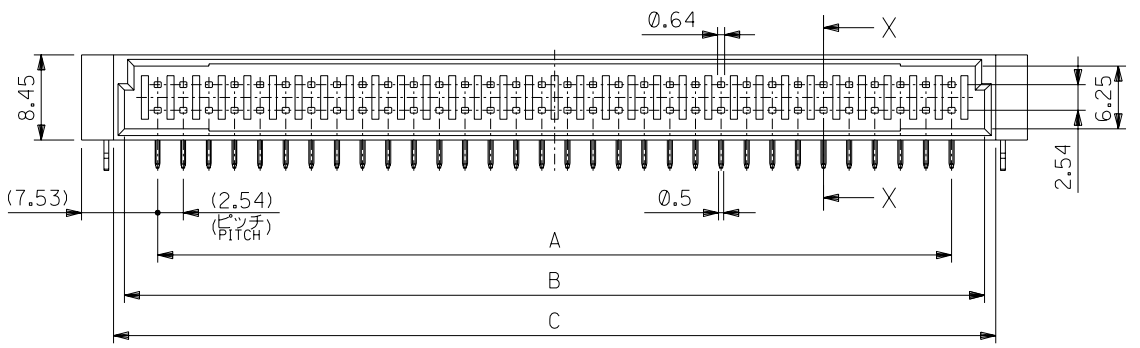
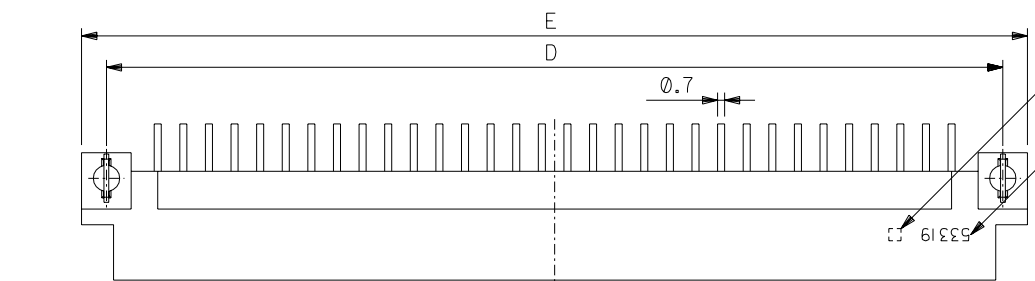
材料 MOLEX-JAPAN CO.,LTD. 日本モレックス株式会社

REVISE ONLY ON CAD SYSTEM

TITLE 名称 2.54 B TO B CONN. RIGHT ANGLE HEADER ASS'Y WITH METAL PEG (DUAL ROW)

DWG. NO. SD-53319-**** REV D

DWG. NO. SD-53319-001



無鉛
LEAD FREE

93.8	88.9	87.5	85.3	78.74	53319-0645	64
76.02	71.12	69.72	67.52	60.96	↑ -0505	50
68.4	63.5	62.1	59.9	53.34	-0445	44
53.16	48.26	46.86	44.66	38.1	-0325	32
45.54	40.64	39.24	37.04	30.48	-0265	26
37.92	33.02	31.62	29.42	22.86	-0205	20
32.84	27.94	26.54	24.34	17.78	↓ -0165	16
25.22	20.32	18.92	16.72	10.16	53319-0105	10
E	D	C	B	A	MATERIAL NO.	極数 CIRCUIT

DO NOT SCALE DRAWING

EC NO. DRWN: CHK: APPR:	EC NO. DRWN: CHK: APPR:	EC NO. DRWN: CHK: APPR:	EC NO. DRWN: CHK: APPR:	RELEASED	MATERIAL 材料	GENERAL TOLERANCES: (UNLESS SPECIFIED) 一般公差	SCALE 2-1	DESIGN UNITS <input checked="" type="checkbox"/> mm <input type="checkbox"/> INCH	THIRD ANGLE PROJECTION	DIMENSIONS: <input type="checkbox"/> mm <input type="checkbox"/> INCH <input type="checkbox"/> mm <input checked="" type="checkbox"/> mm ONLY	SHT	REV
				ECNO.: J2003-1441								
DRWN: K.AKUTSU '02/11/28	CHK: K.KASAHARA '02/11/28	APPR: T.YAMAGUCHI '02/11/28	FINISH 仕上げ	SEE NOTES	10 UNDER 未滿	±0.2	DRAWN BY & DATE K.AKUTSU '02/11/28		MATERIAL NO. SEE CHART			
			WIRE RANGE 適用配線範囲	SEE NOTES	10 OVER 30 UNDER 未滿	±0.25	CHECKED BY & DATE K.KASAHARA '02/11/28		MATERIAL NO. SEE CHART			
			INS. RANGE 被覆外径		30 OVER 以上	±0.3	APPROVED BY & DATE T.YAMAGUCHI '02/11/28		MATERIAL NO. SEE CHART			
					ANGLE 角度	±3°	CAD FILENAME SD-53319-001.S01		DRAWING NO. SD-53319-001		SHEET NO. 1 OF 2	
THIS DRAWING CONTAINS INFORMATION THAT IS PROPRIETARY TO MOLEX INCORPORATED AND SHOULD NOT BE USED WITHOUT WRITTEN PERMISSION.											SIZE B	