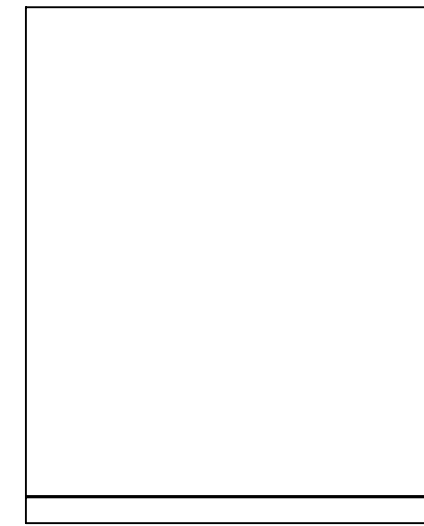
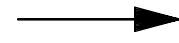
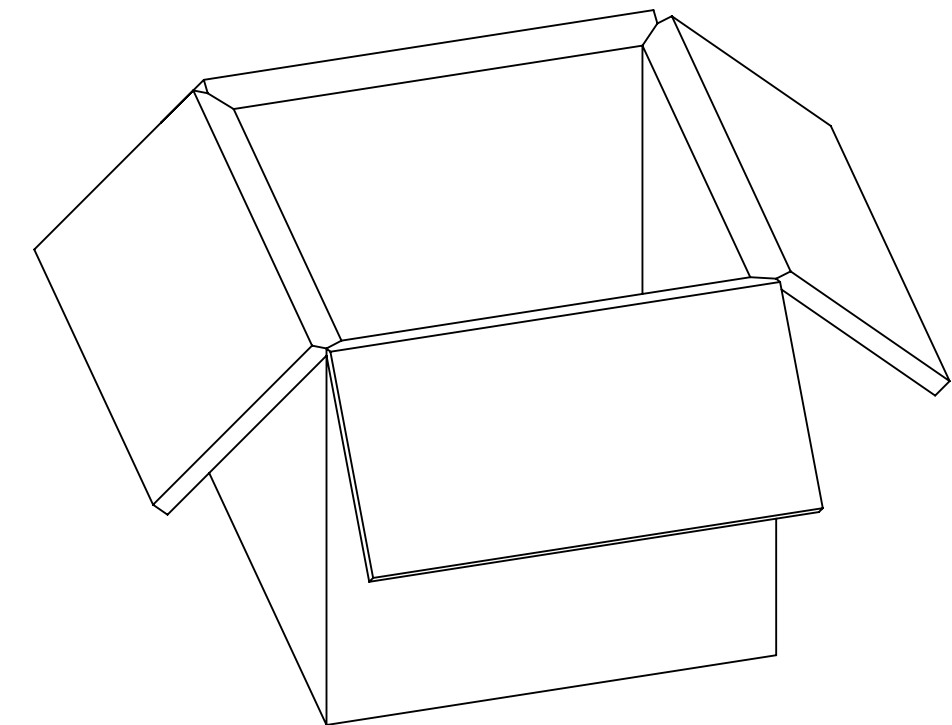


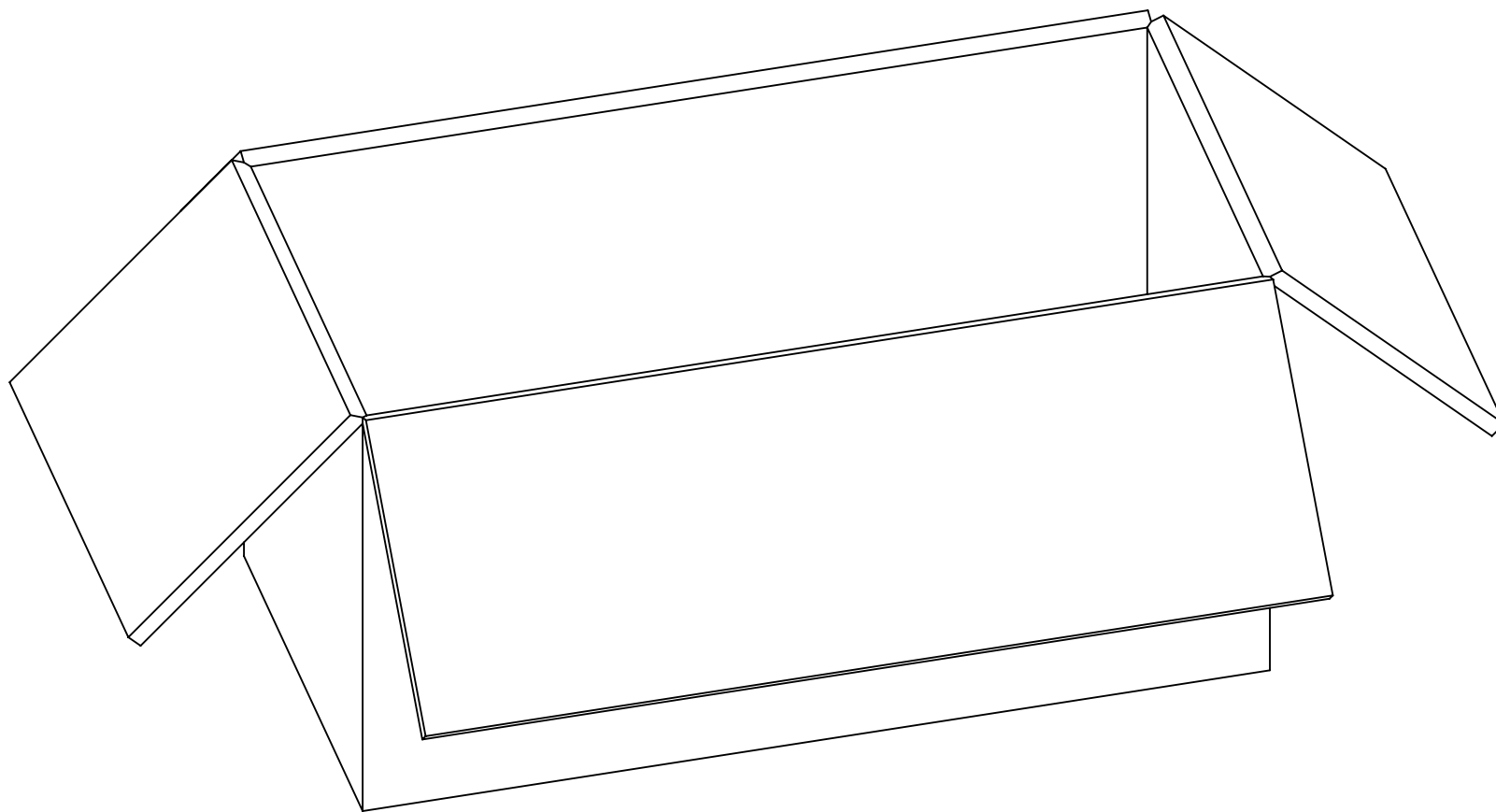
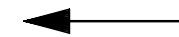
PRODUCT
P/N: XXXXX-XXXX



500 SETS PER BAG



2000 SETS PER INNER CARTON BOX



4000 SETS PER OUTER CARTON BOX

THIS DRAWING CONTAINS INFORMATION THAT IS PROPRIETARY TO MOLEX ELECTRONIC TECHNOLOGIES, LLC AND SHOULD NOT BE USED WITHOUT WRITTEN PERMISSION

DIMENSION UNITS		SCALE		CURRENT REV DESC: NEW RELEASE PER EWR #15848-B			molex		
mm		NTS							
GENERAL TOLERANCES (UNLESS SPECIFIED)							PACKAGING SPEC 89707-0001 (DU 4000) EWR-15848		
ANGULAR TOL ± °				EC NO: 750290			PRODUCT CUSTOMER DRAWING		
4 PLACES ±				DRWN: RYEH 2023/05/18			DOCUMENT NUMBER		
3 PLACES ±				CHK'D: YCHENG 2023/05/24			895420161		
2 PLACES ±				APPR: YCHENG 2023/05/24			PSD 000 A		
1 PLACE ±				INITIAL REVISION:			DOC TYPE DOC PART REVISION		
0 PLACES ±				DRWN: RYEH 2023/05/18			1		
DRAFT WHERE APPLICABLE MUST REMAIN WITHIN DIMENSIONS				THIRD ANGLE PROJECTION		DRAWING		SERIES	
						C-SIZE		89542	
				MATERIAL NUMBER		CUSTOMER		SHEET NUMBER	
				895420161				1 OF 1	

DOCUMENT STATUS	P1	RELEASE DATE	2023/05/24	11:34:24
-----------------	----	--------------	------------	----------

FORMAT: R9-PRO-C
REVISION: J1
DATE: 2023/05/01

12

11

10

9

8

7

6

5

4

3

2

1

H

G

F

E

D

C

B

A

H

G

F

E

D

C

B

A

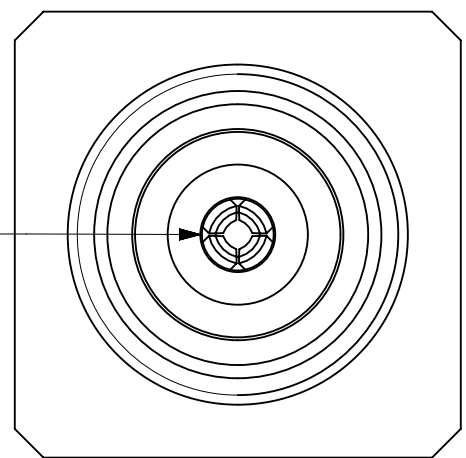
MATERIALS & FINISHES:

BODY: BRASS
PLATING SEE TABLE

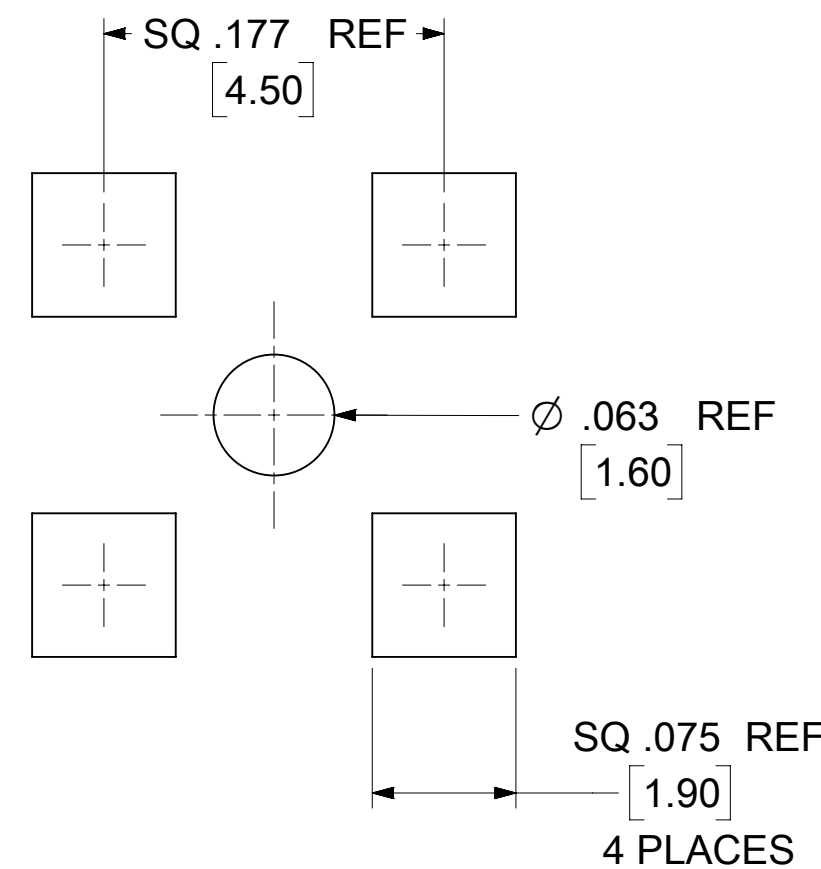
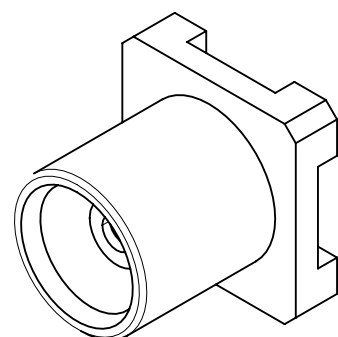
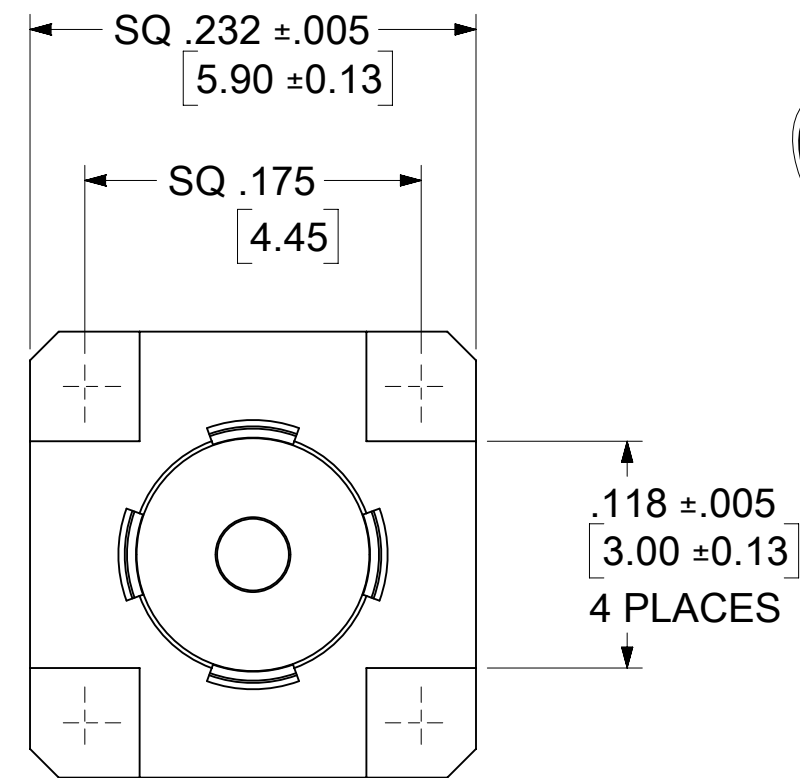
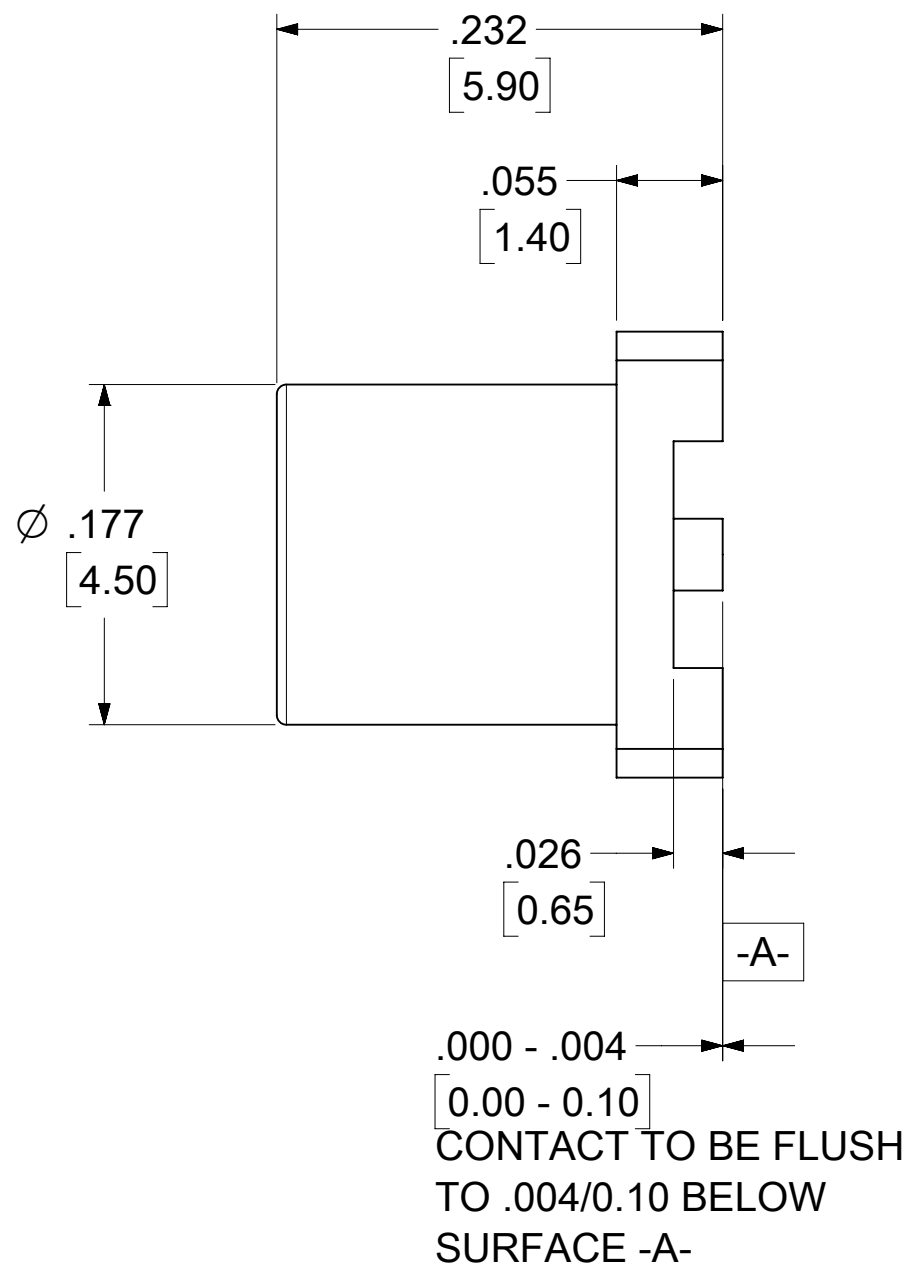
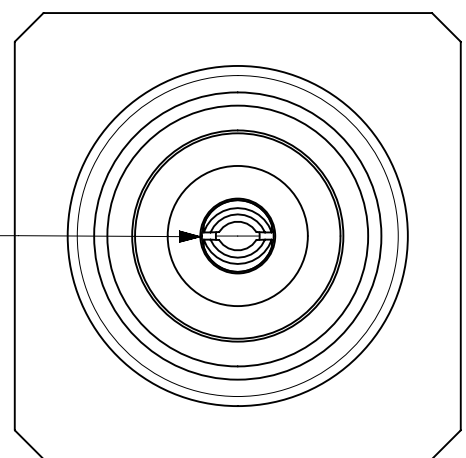
CONTACT: BERYLLIUM COPPER
GOLD (30µ-in MIN)

INSULATOR: TEFLON

NOTE:
73415-1696 & 73415-1697
WITH 4 SLOTS CONTACT



NOTE:
73415-1690 & 73415-1691 &
73415-1692 & 73415-1693 &
73415-1694 & 73415-1695 &
73415-1698 & 73415-1699 &
73366-6510
WITH 2 SLOTS CONTACT



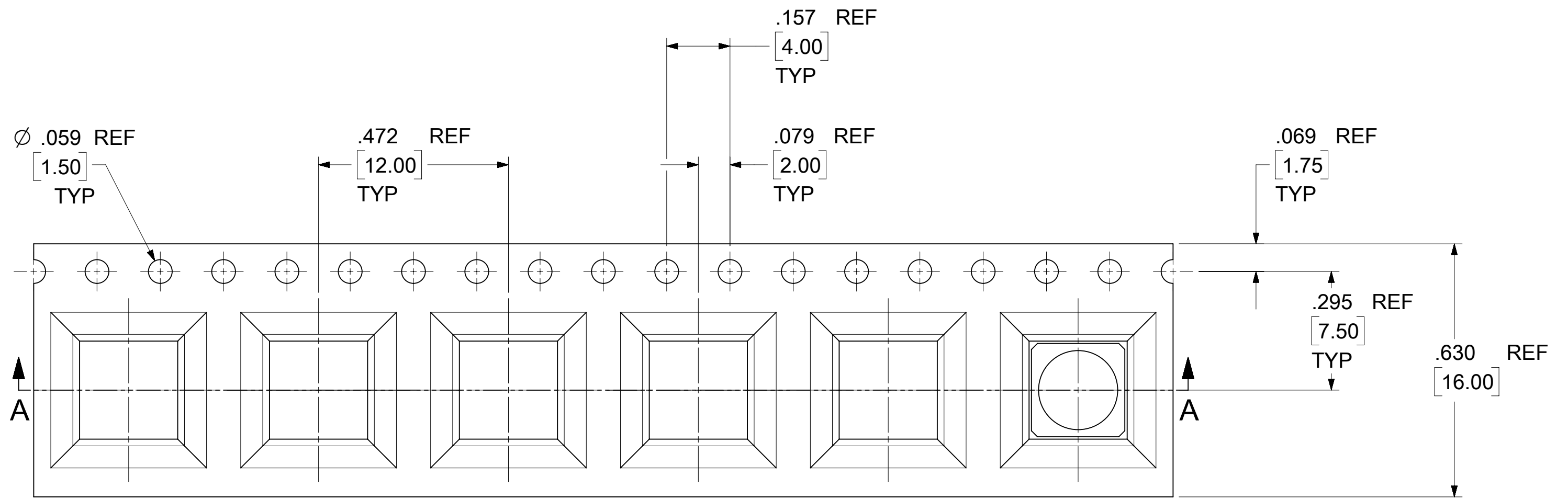
RECOMMENDED MOUNTING PATTERN

73366-6510	GOLD (1µ-in MIN)	2 SLOTS	73415-1691 TAPE & REEL WITH KAPTON	750 PCS PER REEL	SHEET 2, 3 & 4
73415-1699	GOLD (1µ-in MIN)	2 SLOTS	73416-1691 ONE PER BAG	1 PCS PER BAG	895420089
73415-1698	GOLD (30µ-in MIN)	2 SLOTS	73415-1698 TAPE & REEL WITH KAPTON	750 PCS PER REEL	SHEET 2, 3 & 4
73415-1697	GOLD (1µ-in MIN)	4 SLOTS	73415-1696 TAPE & REEL WITH KAPTON	750 PCS PER REEL	SHEET 2, 3 & 4
73415-1696	GOLD (1µ-in MIN)	4 SLOTS	73415-1696 BAG	500 PCS PER BAG	895420089
73415-1695	NICKEL	2 SLOTS	73415-1690 TAPE & REEL WITH KAPTON	750 PCS PER REEL	SHEET 2, 3 & 4
73415-1694	GOLD (1µ-in MIN)	2 SLOTS	73416-1691 SMALL TRAY	20 PCS PER TRAY	895420200
73415-1693	NICKEL	2 SLOTS	73415-1690 SMALL TRAY	20 PCS PER TRAY	895420200
73415-1692	GOLD (1µ-in MIN)	2 SLOTS	73415-1691 TAPE & REEL WITH KAPTON	750 PCS PER REEL	SHEET 2, 3 & 4
73415-1691	GOLD (1µ-in MIN)	2 SLOTS	73415-1691 BAG	500 PCS PER BAG	895420161
73415-1690	NICKEL	2 SLOTS	73415-1690 BAG	500 PCS PER BAG	895420161
PART NO.	BODY PLATING	CONTACT	DESCRIPTION	QUANTITY	PACKING SPEC

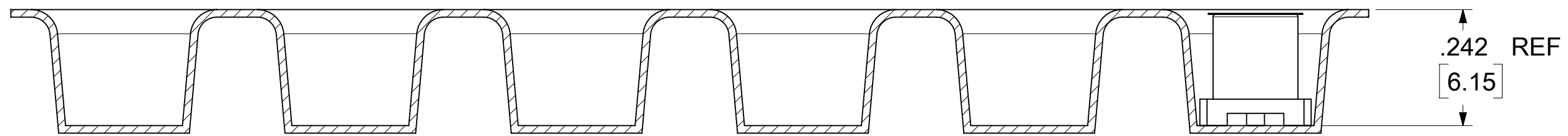
PS-89675-183	ELEC/MECH PERFORMANCE
SPECIFICATION	DESCRIPTION

THIS DRAWING CONTAINS INFORMATION THAT IS PROPRIETARY TO MOLEX ELECTRONIC TECHNOLOGIES, LLC AND SHOULD NOT BE USED WITHOUT WRITTEN PERMISSION

DIMENSION UNITS INCH/MM	SCALE NTS	CURRENT REV DESC: ADD PACKING SPEC PER EWR #15848-A	molex		
GENERAL TOLERANCES (UNLESS SPECIFIED)		EC NO: 750290			
4 PLACES ±	±	DRWN: RYEH	PRODUCT CUSTOMER DRAWING		
3 PLACES ±	± 0.01	CHK'D: 2023/05/10	DOCUMENT NUMBER		
2 PLACES ±	± 0.25	APPR:	SD-73415-169		
1 PLACE ±	±	INITIAL REVISION:	DOC TYPE DOC PART REVISION		
0 PLACES ±	±	DRWN: YCHENG 2007/02/08	PSD 001 B7		
ANGULAR TOL ± 2.0 °		APPR: MHUANG 2007/02/09	MATERIAL NUMBER CUSTOMER SHEET NUMBER		
DRAFT WHERE APPLICABLE MUST REMAIN WITHIN DIMENSIONS	THIRD ANGLE PROJECTION	DRAWING C-SIZE	73415 SEE TABLE GENERAL MARKET 1 OF 4		



VIEWS FOR 73415-1692 & 73415-1695 & 73415-1697 & 73415-1698 & 73366-6510

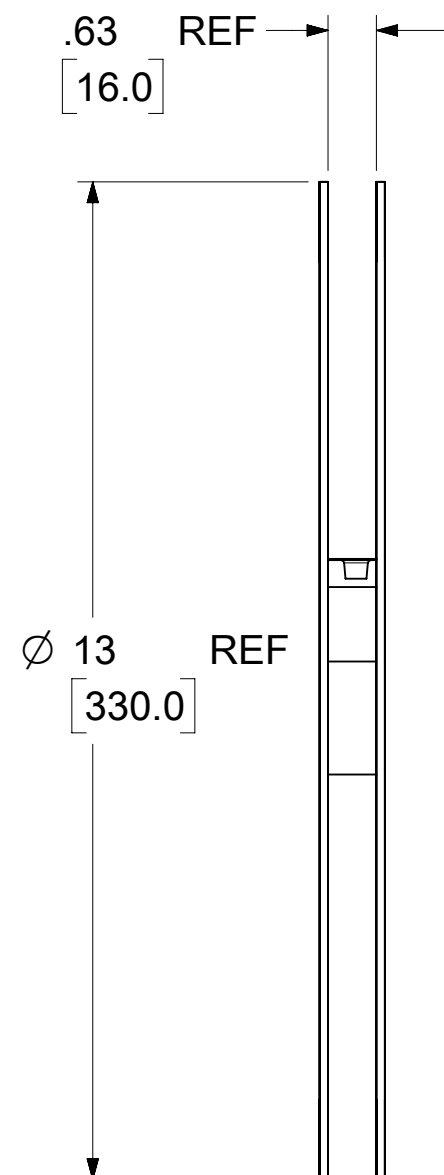


SECTION A-A

PENDING APPROVAL

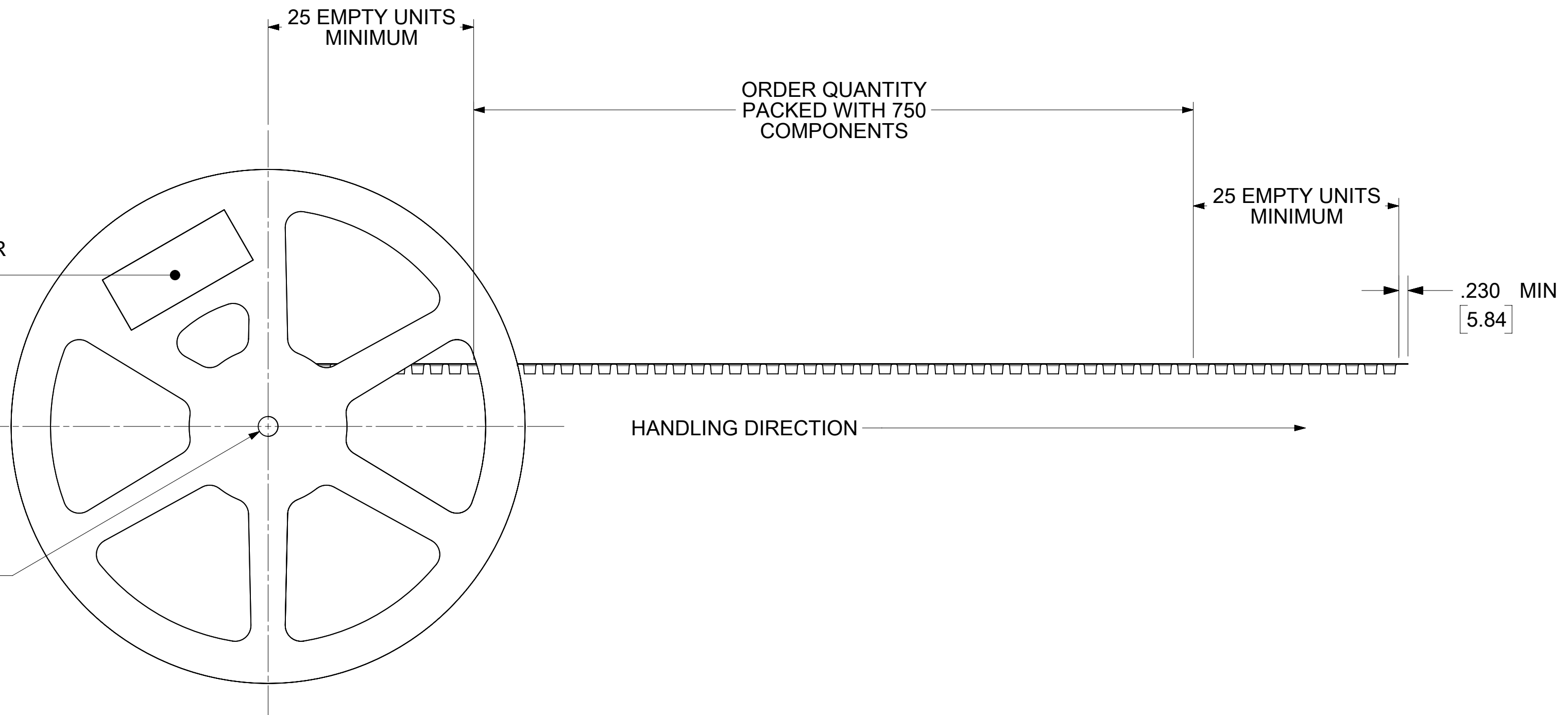
THIS DRAWING CONTAINS INFORMATION THAT IS PROPRIETARY TO MOLEX ELECTRONIC TECHNOLOGIES, LLC AND SHOULD NOT BE USED WITHOUT WRITTEN PERMISSION									
DIMENSION UNITS INCH/MM		SCALE NTS		CURRENT REV DESC: ADD PACKING SPEC PER EWR #15848-A				molex	
GENERAL TOLERANCES (UNLESS SPECIFIED)				EC NO: 750290					
		MM	INCH	DRWN: RYEH		2023/05/10		MCX PCB/SMT JACK 50 OHM MCX-J/PCB/SMT EWR-1148	
4 PLACES ±				CHK'D:				PRODUCT CUSTOMER DRAWING	
3 PLACES ±		0.25		APPR:				DOCUMENT NUMBER	
2 PLACES ±				INITIAL REVISION:				SD-73415-169	
1 PLACE ±				DRWN: YCHENG		2007/02/08		PSD 001 B7	
0 PLACES ±				APPR: MHUANG		2007/02/09		DOC TYPE DOC PART REVISION	
ANGULAR TOL ± 2.0 °				THIRD ANGLE PROJECTION		DRAWING SERIES		MATERIAL NUMBER CUSTOMER SHEET NUMBER	
DRAFT WHERE APPLICABLE MUST REMAIN WITHIN DIMENSIONS				C-SIZE		73415		SEE TABLE GENERAL MARKET 2 OF 4	

DOCUMENT STATUS	RQ	RELEASE DATE								
-----------------	----	--------------	--	--	--	--	--	--	--	--

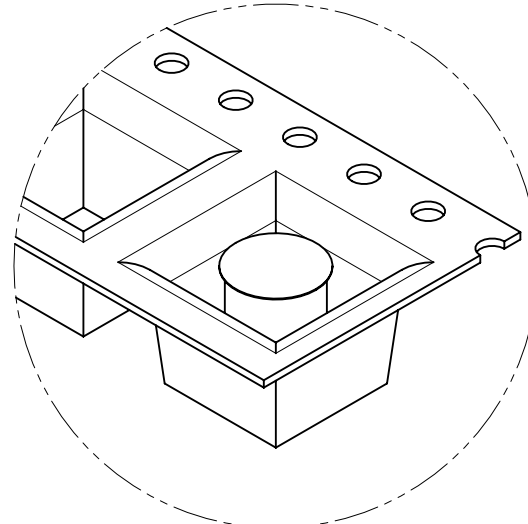
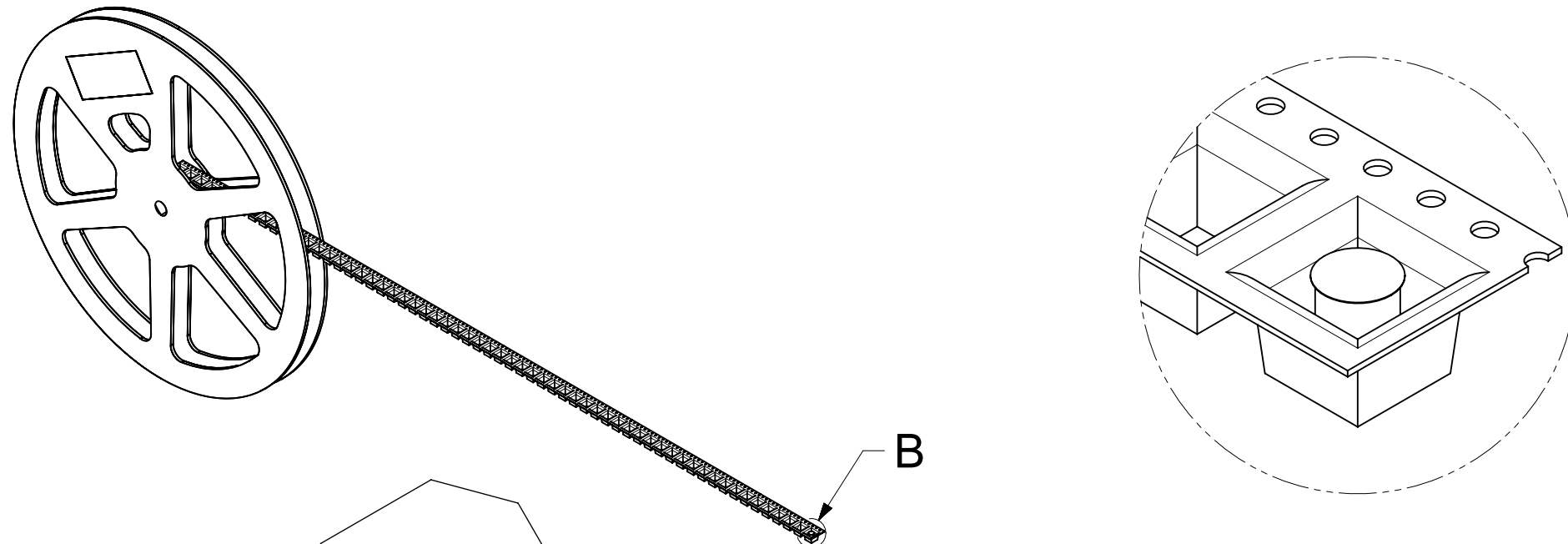


LABEL:
 -ORDER NUMBER
 -QUANTITY
 -PART NUMBER
 -LOT NUMBER

Ø .502 REF [12.75]



VIEWS FOR 73415-1692 & 73415-1695 & 73415-1697 & 73415-1698 & 73366-6510



DETAIL B

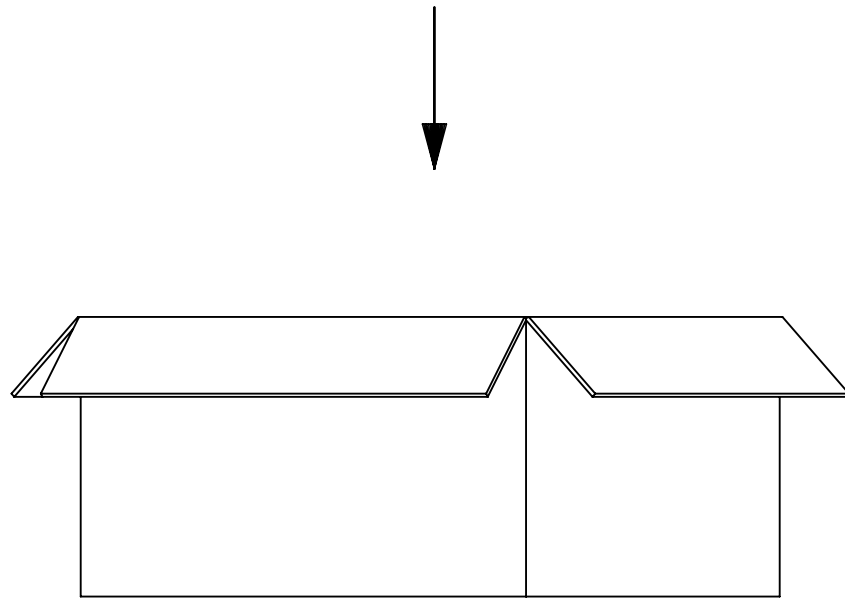
PENDING APPROVAL

THIS DRAWING CONTAINS INFORMATION THAT IS PROPRIETARY TO MOLEX ELECTRONIC TECHNOLOGIES, LLC AND SHOULD NOT BE USED WITHOUT WRITTEN PERMISSION									
DIMENSION UNITS INCH/MM		SCALE NTS		CURRENT REV DESC: ADD PACKING SPEC PER EWR #15848-A				molex	
GENERAL TOLERANCES (UNLESS SPECIFIED)				EC NO: 750290					
		MM	INCH	DRWN: RYEH 2023/05/10				MCX PCB/SMT JACK 50 OHM MCX-J/PCB/SMT EWR-1148	
4 PLACES ±				CHK'D:				PRODUCT CUSTOMER DRAWING	
3 PLACES ±			0.01	APPR:				DOCUMENT NUMBER	
2 PLACES ±		0.25		INITIAL REVISION:				SD-73415-169	
1 PLACE ±				DRWN: YCHENG 2007/02/08				DOC TYPE	
0 PLACES ±				APPR: MHUANG 2007/02/09				DOC PART	
ANGULAR TOL ± 2.0 °				THIRD ANGLE PROJECTION				REVISION	
DRAFT WHERE APPLICABLE MUST REMAIN WITHIN DIMENSIONS				DRAWING C-SIZE		SERIES 73415		SHEET NUMBER	
				MATERIAL NUMBER SEE TABLE		CUSTOMER GENERAL MARKET		3 OF 4	

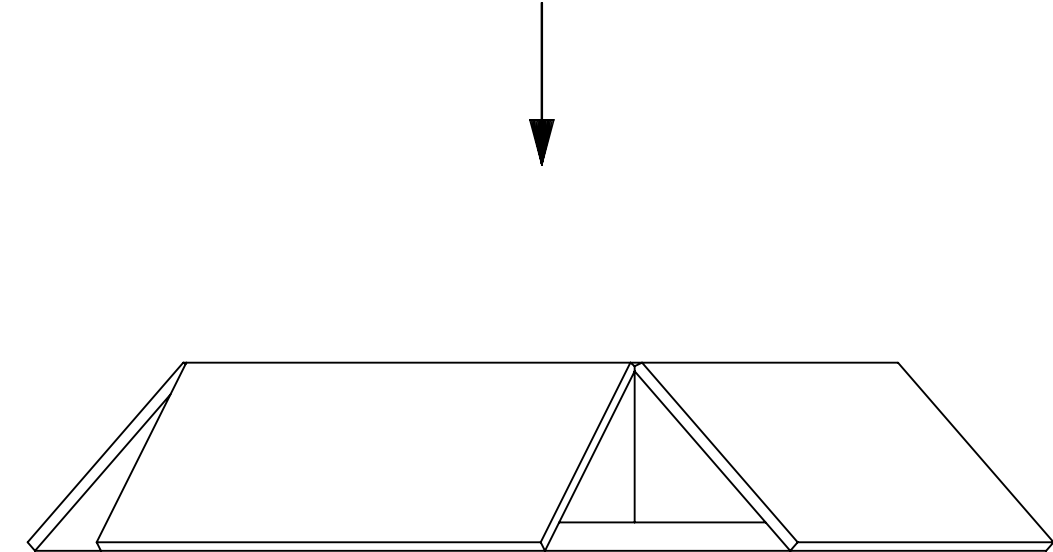
DOCUMENT STATUS	RQ	RELEASE DATE																		
-----------------	----	--------------	--	--	--	--	--	--	--	--	--	--	--	--	--	--	--	--	--	--

73415-1698	73415-1698 TAPE & REEL WITH KAPTON	750 PCS	6000 PCS
73415-1697	73415-1696 TAPE & REEL WITH KAPTON	750 PCS	6000 PCS
73415-1695	73415-1690 TAPE & REEL WITH KAPTON	750 PCS	6000 PCS
73415-1692	73415-1691 TAPE & REEL WITH KAPTON	750 PCS	6000 PCS
PART NO.	DESCRIPTION	QTY/REEL	QTY/CARTON

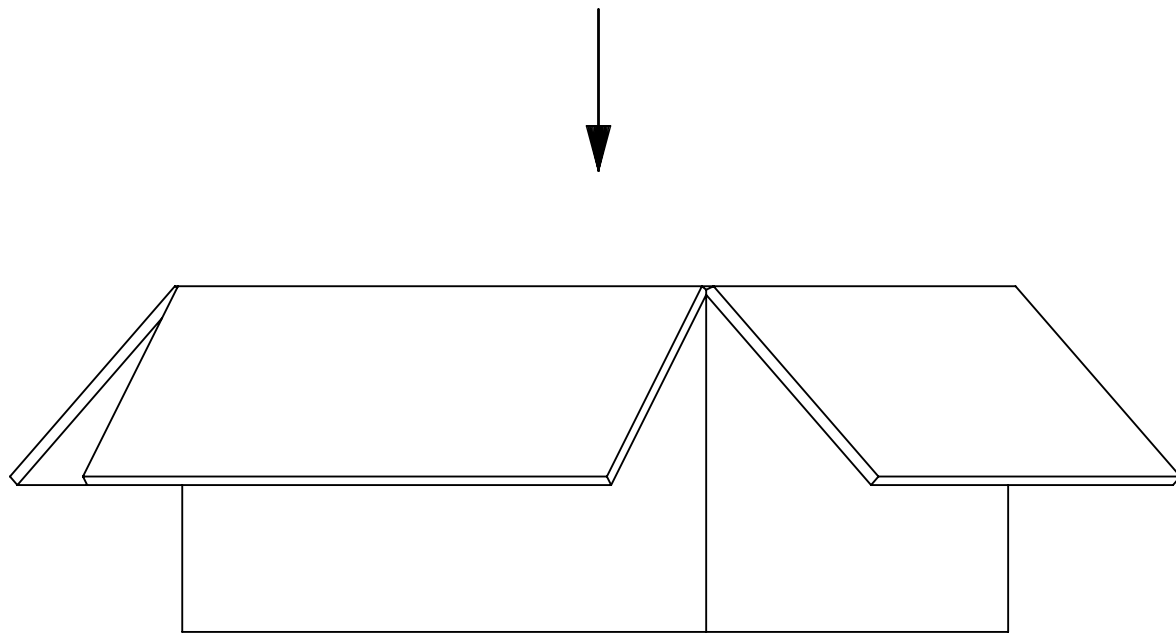
73366-6510	73415-1691 TAPE & REEL WITH KAPTON	750 PCS	750 PCS
PART NO.	DESCRIPTION	QTY/REEL	QTY/CARTON



8 REELS PER INNER CARTON BOX
(8 X 750 = 6000 PCS)



1 REEL PER CARTON BOX
(1 X 750 = 750 PCS)



8 REELS PER OUTER CARTON BOX
(8 X 750 = 6000 PCS)

PENDING APPROVAL

THIS DRAWING CONTAINS INFORMATION THAT IS PROPRIETARY TO MOLEX ELECTRONIC TECHNOLOGIES, LLC AND SHOULD NOT BE USED WITHOUT WRITTEN PERMISSION									
DIMENSION UNITS		SCALE		CURRENT REV DESC: ADD PACKING SPEC PER EWR #15848-A				molex	
INCH/MM		NTS							
GENERAL TOLERANCES (UNLESS SPECIFIED)				EC NO: 750290		2023/05/10		MCX PCB/SMT JACK 50 OHM MCX-J/PCB/SMT EWR-1148	
		MM	INCH	DRWN: RYEH				PRODUCT CUSTOMER DRAWING	
4 PLACES		±	±	CHK'D:		SD-73415-169		DOCUMENT NUMBER	
3 PLACES		±	± 0.01	APPR:				DOC TYPE	
2 PLACES		±	0.25	INITIAL REVISION:		PSD		001	
1 PLACE		±	±	DRWN: YCHENG		2007/02/08		REVISION	
0 PLACES		±	±	APPR: MHUANG		2007/02/09		B7	
ANGULAR TOL		± 2.0 °		THIRD ANGLE PROJECTION		DRAWING		SERIES	
DRAFT WHERE APPLICABLE MUST REMAIN WITHIN DIMENSIONS				C-SIZE		73415		MATERIAL NUMBER	
				SEE TABLE		CUSTOMER		SHEET NUMBER	
				GENERAL MARKET		4 OF 4			

DOCUMENT STATUS	RQ	RELEASE DATE	
-----------------	----	--------------	--