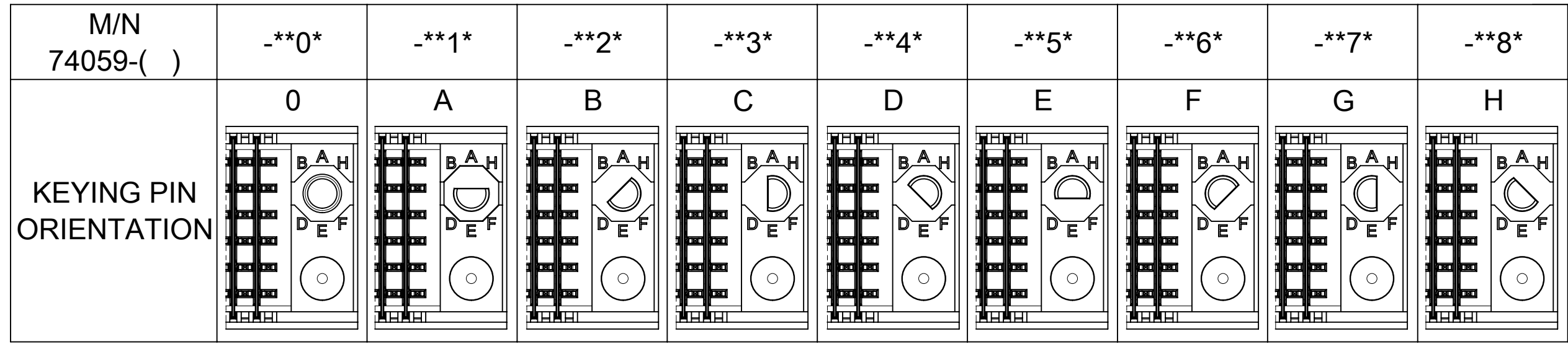


- NOTES:**
- MATERIALS:**
HOUSING - LIQUID CRYSTAL POLYMER (LCP),
GLASS-FILLED, UL 94V-0, COLOR: BLACK
SIGNAL PIN & SHIELD - COPPER ALLOY
 - FINISHES:**
CONTACT AREA: SELECTIVE GOLD (Au)
PCB TAILS: SELECTIVE MATTE TIN (Sn)
NICKEL (Ni) OVERALL.
 - THIS PART CONFORMS TO MOLEX PRODUCT SPECIFICATION PS-74031-999
 - FOR MIXED CONTACT LENGTHS CONSULT MOLEX FOR AVAILABILITY
 - FOR SPECIFIC MATERIAL NUMBERS & MATING INFORMATION REFER TO SHEET 2 AND 3
 - PACKAGE PER PK-74058-003
 - MARK PART WITH PART NUMBER & DATE CODE APPROXIMATELY WHERE SHOWN
 - MAPS (MOLEX ADVANCED PLATING SYSTEM).

THE PRIMARY CARTON WITH A LABEL STATING "ELV AND RoHS COMPLAINT" IS LEAD FREE. CARTONS WITHOUT THIS LABEL MAY CONTAIN LEAD.

THIS DRAWING CONTAINS INFORMATION THAT IS PROPRIETARY TO MOLEX ELECTRONIC TECHNOLOGIES, LLC AND SHOULD NOT BE USED WITHOUT WRITTEN PERMISSION									
DIMENSION UNITS		SCALE		CURRENT REV DESC: SEE REVISION TABLE					
mm		2.5:1		<p>EC NO: 713684 DRWN: MKP 2022/06/15 CHK'D: WZHAO21 2022/07/20 APPR: WZHAO21 2022/07/20</p> <p>INITIAL REVISION: DRWN: JMELTON 2010/05/20 APPR: SMILLER 2010/07/14</p>					
GENERAL TOLERANCES (UNLESS SPECIFIED)									
		MM	INCH						
4 PLACES	±		±						
3 PLACES	±		±						
2 PLACES	±	0.1	±						
1 PLACE	±	0.25	±						
0 PLACES	±		±						
ANGULAR TOL		± 0.5 °		THIRD ANGLE PROJECTION					
DRAFT WHERE APPLICABLE MUST REMAIN WITHIN DIMENSIONS				DRAWING		SERIES		SHEET NUMBER	
				C-SIZE		74059		1 OF 3	
				MATERIAL NUMBER		CUSTOMER		DOC TYPE DOC PART REVISION	
				SEE SHEET 2		GENERAL MARKET		SD-74059-002 PSD 001 P	



74059-****

NUMBER OF COLUMNS/PLATING

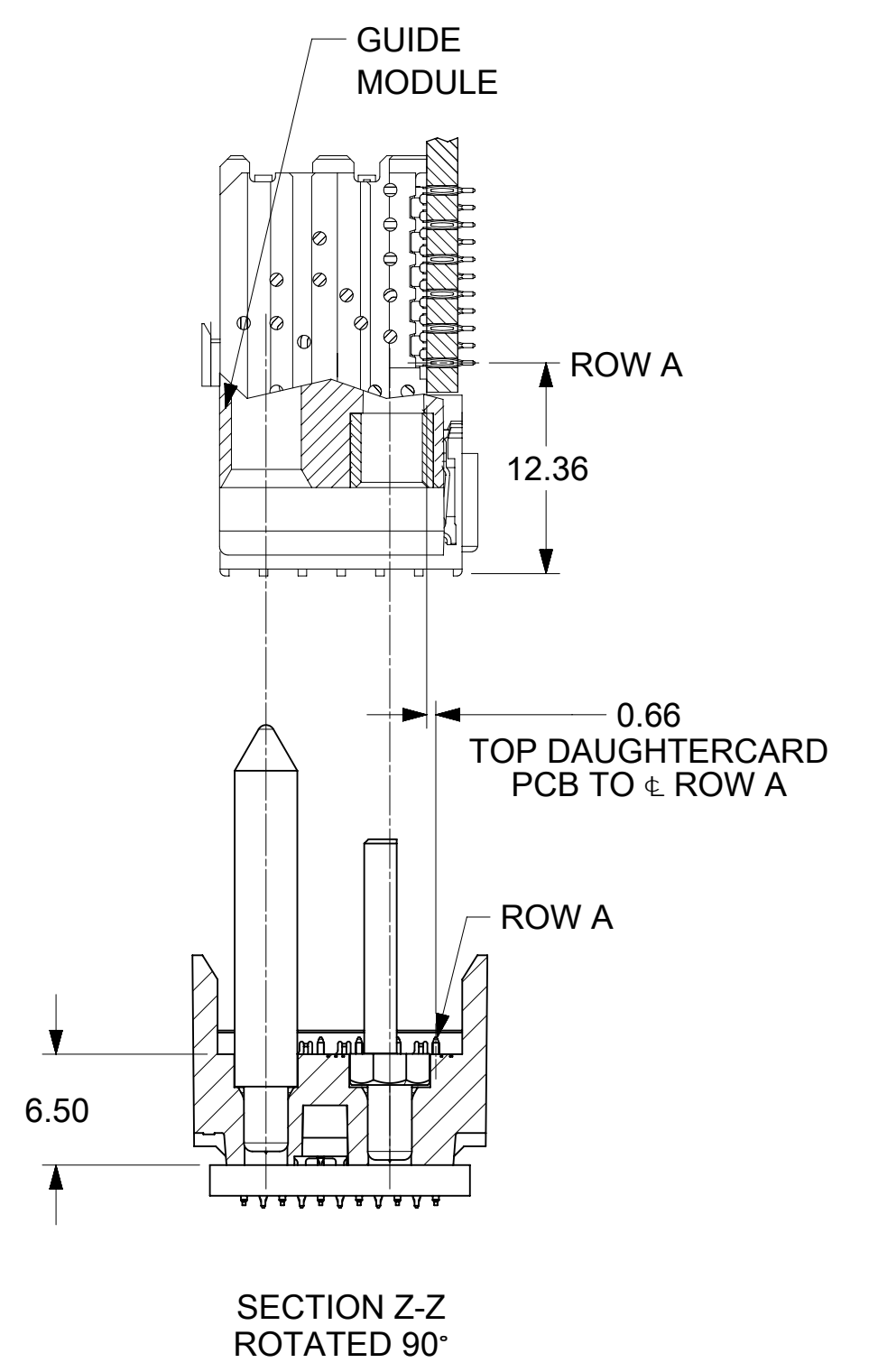
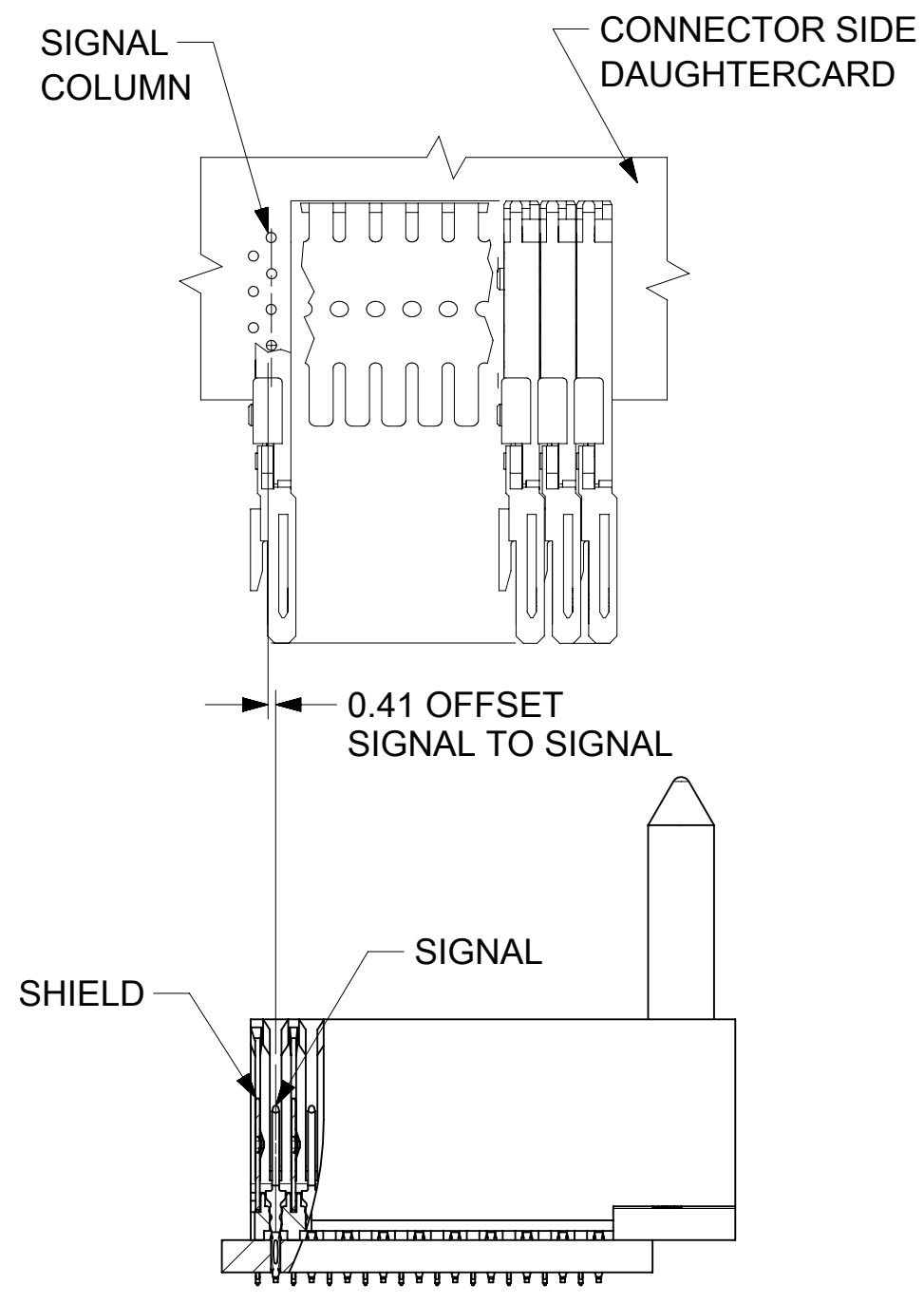
- 10 = 10 COLUMN MATTE TIN (FORMERLY TIN/LEAD)
- 21 = 11 COLUMN MATTE TIN (FORMERLY TIN/LEAD)
- 25 = 25 COLUMN MATTE TIN (FORMERLY TIN/LEAD)
- 60 = 10 COLUMN MATTE TIN (MAPS)
- 71 = 11 COLUMN MATTE TIN (MAPS)
- 75 = 25 COLUMN MATTE TIN (MAPS)
- 90 = 10 COLUMN MATTE TIN
- 81 = 11 COLUMN MATTE TIN
- 85 = 25 COLUMN MATTE TIN

CONTACT LOAD (PIN HEIGHT)

- 1 & 6 = 4.75
- 2 & 7 = 6.25
- 3 & 8 = 4.25
- 4 & 9 = 5.15

PART NUMBER	COLUMN	NUMBER OF SIGNAL PIN	NUMBER OF SHIELD	A	B	M	GOLD THICKNESS MICROMETER	TIN THICKNESS MICROMETER
74059-60*1	10	60	10	27.00	18.00	4.75	0.25 MAPS	0.76-1.52
74059-*0*1							0.76	
74059-*0*6							1.27	
74059-75*1	25	150	25	57.00	48.00	4.75	0.25 MAPS	
74059-*5*1							0.76	
74059-*5*6							1.27	
74059-60*2	10	60	10	27.00	18.00	6.25	0.25 MAPS	
74059-*0*2							0.76	
74059-*0*7							1.27	
74059-75*2	25	150	25	57.00	48.00	6.25	0.25 MAPS	
74059-*5*2							0.76	
74059-*5*7							1.27	
74059-60*3	10	60	10	27.00	18.00	4.25	0.25 MAPS	
74059-*0*3							0.76	
74059-*0*8							1.27	
74059-75*3	25	150	25	57.00	48.00	4.25	0.25 MAPS	
74059-*5*3							0.76	
74059-*5*8							1.27	
74059-60*4	10	60	10	27.00	18.00	5.15	0.25 MAPS	
74059-*0*4							0.76	
74059-*0*9							1.27	
74059-75*4	25	150	25	57.00	48.00	5.15	0.25 MAPS	
74059-*5*4							0.76	
74059-*5*9							1.27	

PART NUMBER	COLUMN	NUMBER OF SIGNAL PIN	NUMBER OF SHIELD	A	B	M	GOLD THICKNESS MICROMETER	TIN THICKNESS MICROMETER
74059-71*1	11	66	11	29.00	20.00	4.75	0.25 MAPS	0.76-1.52
74059-*1*1							0.76	
74059-*1*6							1.27	
74059-71*2	11	66	11	29.00	20.00	6.25	0.25 MAPS	
74059-*1*2							0.76	
74059-*1*7							1.27	
74059-71*3	11	66	11	29.00	20.00	4.25	0.25 MAPS	
74059-*1*3							0.76	
74059-*1*8							1.27	
74059-71*4	11	66	11	29.00	20.00	5.15	0.25 MAPS	
74059-*1*4							0.76	
74059-*1*9							1.27	

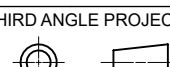


THIS DRAWING CONTAINS INFORMATION THAT IS PROPRIETARY TO MOLEX ELECTRONIC TECHNOLOGIES, LLC AND SHOULD NOT BE USED WITHOUT WRITTEN PERMISSION

DIMENSION UNITS	SCALE	CURRENT REV DESC: SEE REVISION TABLE	
mm	2.5:1		
GENERAL TOLERANCES (UNLESS SPECIFIED)			
	MM	INCH	
4 PLACES	±	±	
3 PLACES	±	±	
2 PLACES	± 0.1	±	
1 PLACE	± 0.25	±	
0 PLACES	±	±	
ANGULAR TOL	± 0.5°		
DRAFT WHERE APPLICABLE MUST REMAIN WITHIN DIMENSIONS		THIRD ANGLE PROJECTION	DRAWING SERIES
			C-SIZE 74059

EC NO: 713684		2022/06/15	
DRWN: MKP		2022/07/20	
CHK'D: WZHAO21		2022/07/20	
APPR: WZHAO21		2022/07/20	
INITIAL REVISION:			
DRWN: JMELTON		2010/05/20	
APPR: SMILLER		2010/07/14	
DOCUMENT NUMBER	DOC TYPE	DOC PART	REVISION
SD-74059-002	PSD	001	P
MATERIAL NUMBER	CUSTOMER	SHEET NUMBER	
SEE TABLE	GENERAL MARKET	2 OF 3	

DATE	REV	DESCRIPTION
2022/06/24	P	DRAWING MIGRATION DRAWING HAS BEEN UPDATED

THIS DRAWING CONTAINS INFORMATION THAT IS PROPRIETARY TO MOLEX ELECTRONIC TECHNOLOGIES, LLC AND SHOULD NOT BE USED WITHOUT WRITTEN PERMISSION									
DIMENSION UNITS		SCALE		CURRENT REV DESC: SEE REVISION TABLE				molex	
mm		1:1							
GENERAL TOLERANCES (UNLESS SPECIFIED)				EC NO: 713684 DRWN: MKP 2022/06/15 CHK'D: WZHAO21 2022/07/20 APPR: WZHAO21 2022/07/20 INITIAL REVISION: DRWN: JMELTON 2010/05/20 APPR: SMILLER 2010/07/14				VHDM 6 ROW SHIELD END BACKPLANE SALES DRAWING	
4 PLACES	±	MM	INCH					PRODUCT CUSTOMER DRAWING	
3 PLACES	±	0.1	±					DOCUMENT NUMBER	
2 PLACES	±	0.25	±					SD-74059-002	
1 PLACE	±	0.5	°					DOC TYPE	
0 PLACES	±							PSD	
DRAFT WHERE APPLICABLE MUST REMAIN WITHIN DIMENSIONS				THIRD ANGLE PROJECTION		DRAWING		SERIES	
						C-SIZE		74059	
DOCUMENT STATUS				P1		RELEASE DATE		2022/07/20 09:16:47	
12		11		10		9		8	
7		6		5		4		3	
2		1							